

**LINDEMANN**  
CHIMNEY SUPPLY



**2026**  
**CATALOG**

DELIVERING EXCEPTIONAL  
CUSTOMER SERVICE

FOR OVER

50

YEARS

As a team, our passion is exceeding customer expectations through extraordinary means in a professional, and ethical manner.

In return, our customers become loyal fans and lifelong partners.



FEEDING YOUR FIRE , FUELING YOUR GROWTH

# CROWN SAFE™



## HIGH PERFORMANCE BRUSHABLE ELASTIC SEALANT

- ONE STEP PROCESS! NO PRIMERS OR PRE-COATS REQUIRED
- APPLIES IN EXTREME WEATHER CONDITIONS & TEMPERATURES
- FIBERED FOR STRENGTH TO RESIST CRACKING & PEELING
- REPAIRS SMALL CRACKS & ADHERES TO MANY DIFFERENT SURFACES
- SUPERIOR ADHESION & CLEAR FINISH



ALL FOR YOUR SUCCESS!



100% SATISFACTION  
GUARANTEE

ORDER TODAY FROM



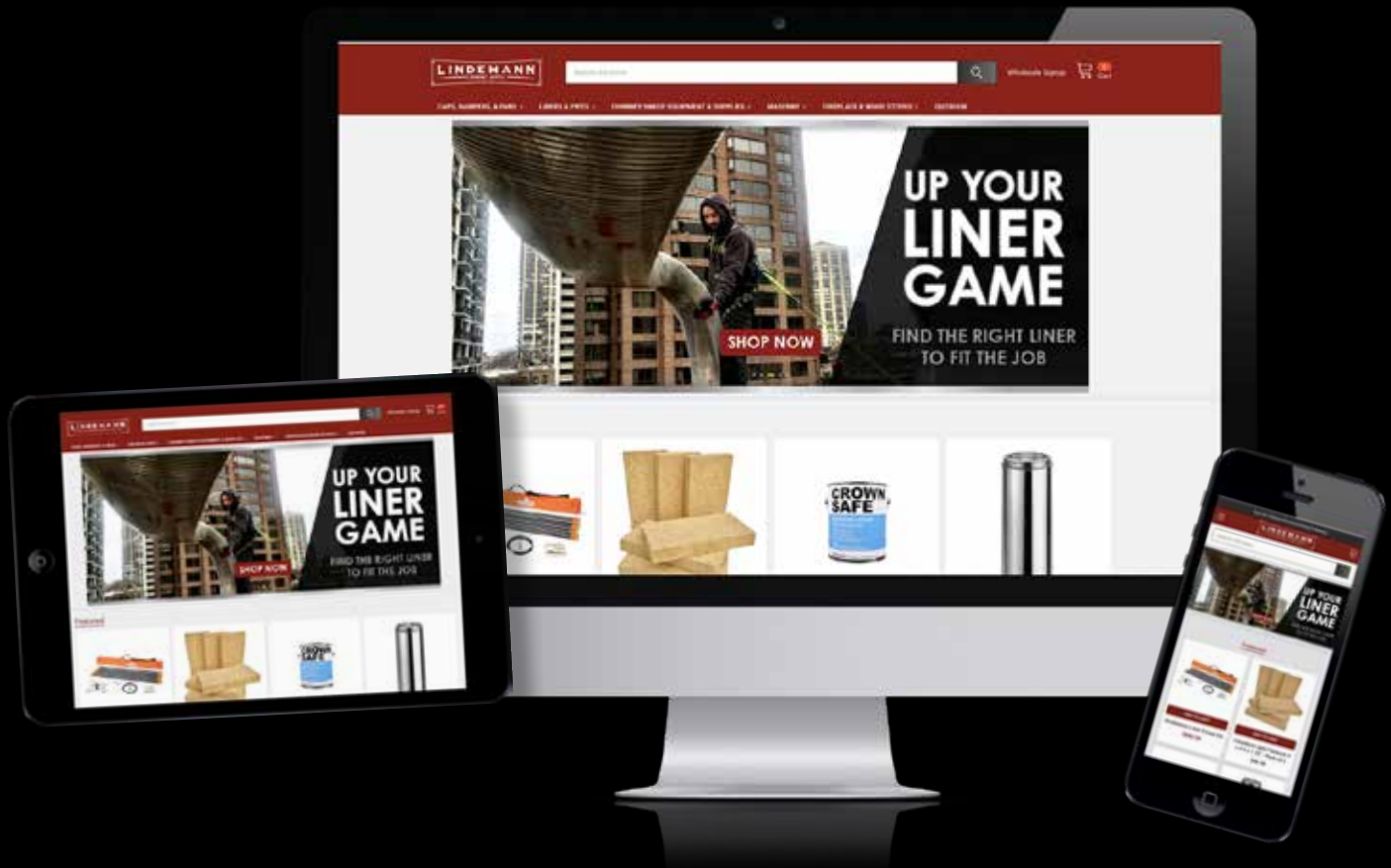
# COLOR CODED CHIMNEY RODS & BRUSHES



ADAPTORS • POWER SWEEP KITS & MORE



# ARE YOU ORDERING ONLINE?



- QUICK & EASY
- ORDER ANYTIME, ANYWHERE
- ONLINE BILL PAY
- ENTER & TRACK ORDERS
- ACCOUNT MANAGEMENT
- LIVE TECHNICAL SUPPORT
- LATEST PROMOTION & SPECIALS

## TAKE 10% OFF

YOUR FIRST ONLINE ORDER

PROMO CODE FIRST10

[LINDEMANNCHIMNEY.COM](http://LINDEMANNCHIMNEY.COM)

# EXPERIENCE

## THE LINDEMANN DIFFERENCE

**LINDEMANN**  
CHIMNEY SUPPLY

### OUR CORE VALUES

- INTEGRITY
- EMPOWERMENT
- CUSTOMER CARE
- BUILT TO LAST
- IMPACTING THE WORLD

**ORDER ONLINE & SAVE!**

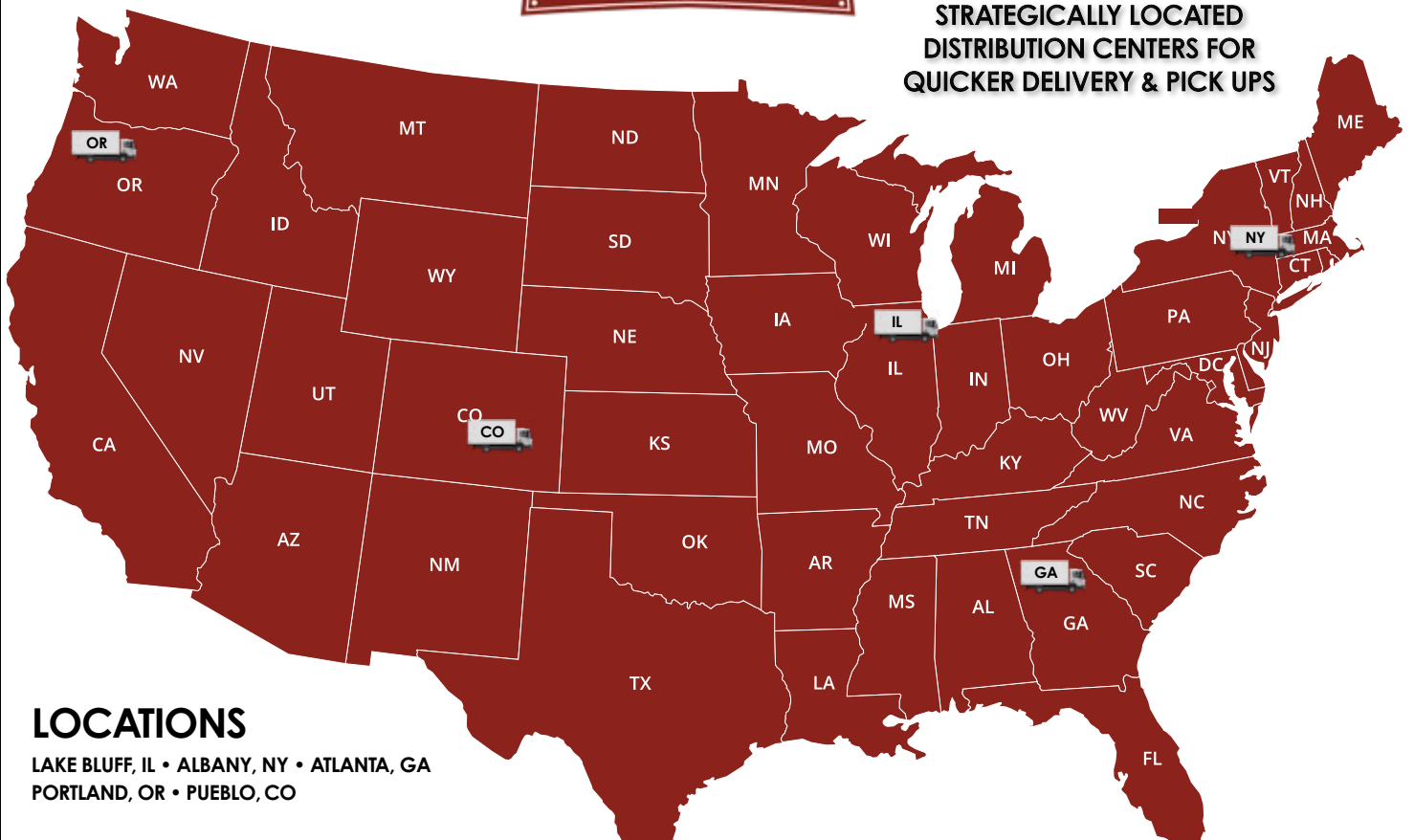


**FEEDING YOUR FIRE, FUELING YOUR GROWTH**

**LINDEMANNCHIMNEY.COM**



STRATEGICALLY LOCATED  
DISTRIBUTION CENTERS FOR  
QUICKER DELIVERY & PICK UPS



## LOCATIONS

LAKE BLUFF, IL • ALBANY, NY • ATLANTA, GA  
PORTLAND, OR • PUEBLO, CO

### MIDWEST & WEST COAST

TOLL FREE: 800.722.7230  
MAIN PHONE: 847.549.7994 FAX: 847.549.7995  
ADDRESS: 86 ALBRECHT DR. LAKE BLUFF, IL, 60044  
EMAIL: SALES@LINDEMANNCHIMNEY.COM

### EAST COAST

TOLL FREE: 800.722.7230  
MAIN PHONE: 518.785.4922 FAX: 518.785.4994  
ADDRESS: 2 VAN BUREN BLVD., PO BOX 35  
NORTHEASTERN INDUSTRIAL PARK, BLDG. 10  
GUILDERLAND CENTER, NY 12085  
EMAIL: SALES@LINDEMANNCHIMNEY.COM



# FEEDING YOUR FIRE, FUELING YOUR GROWTH

800.722.7230 | ONLINE ORDERING LINDEMANNSUPPLY.COM

Prices are subject to change. See our website for the most up to date pricing.

# TABLE OF CONTENTS

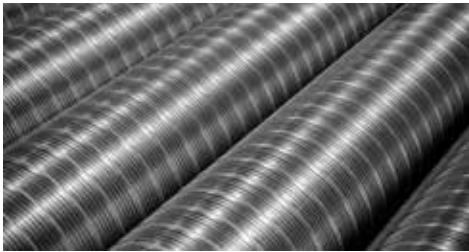


## CHIMNEY LINERS & PIPES

NOT ALL PRODUCTS ARE LISTED, SOME ARE WITHIN A LISTED CATEGORY

2-78

<b>CHIMNEY LINER &amp; KITS</b> ..... 2-29	<b>CHIMNEY PIPES</b> ..... 30-72	<b>LINER INSULATION</b> ..... 73-75
SMARTFLEX LINER & KITS..... 2-21	JEREMIAS..... 30-35	<b>GAS LINE PIPE &amp; FITTINGS</b> .....76-77
SMARTFLEX ALUMINUM LINER.... 22	DURATECH..... 36-45	<b>DRYER DUCTING</b> ..... 78
VENTINOX LINER ..... 23-24	TYPE B GAS VENT ..... 47-50	
DURAFLEX LINER..... 25-29	DIRECTVENT PRO ..... 51-55	
	PELLETVENT PRO ..... 56-62	
	DVL ..... 63-65	
	DURABLACK..... 66-68	
	HEATFAB..... 69	
	SNAP-LOCK..... 70-72	



## DAMPERS, CAPS & FANS

NOT ALL PRODUCTS ARE LISTED, SOME ARE WITHIN A LISTED CATEGORY

80-113

<b>DAMPERS</b> .....80-88	<b>CAPS</b> .....89-110	MULTI FLUE .....107-109
TOP DAMPERS.....80-87	CHIMNEY POTS .....90-91	SCREENS ..... 110
SPIN & THROAT DAMPERS .....88	CUSTOM CAPS.....92-94	<b>CHIMNEY FANS</b> .....111-113
	MULTI PACKS ..... 95	
	SINGLE FLUE.....96-106	



## CHIMNEY SWEEP EQUIPMENT

NOT ALL PRODUCTS ARE LISTED, SOME ARE WITHIN A LISTED CATEGORY

115-155



<b>ROD STATION</b> ..... 132-136	<b>ADAPTERS &amp; ACCESSORIES</b> ... 148-151
<b>INSPECTION EQUIPMENT</b> ..... 115-120	<b>CREOSOTE REMOVAL</b> ..... 152-154
<b>VIPER SYSTEMS</b> ..... 121-124	PCR..... 152
<b>VACUUMS</b> ..... 126-128	ACS..... 152-153
<b>BRUSHES &amp; RODS</b> ..... 129-151	Cre-Away..... 153
ButtonLok ..... 129-134	TSR..... 154
TLC ..... 135-137	<b>CLEANING PRODUCTS</b> ..... 154-155
Universal..... 138-141	
Dryer Vent Cleaning ..... 142-146	
Hand Brushes ..... 146-147	

## SAFETY & INSTALLATION TOOLS

NOT ALL PRODUCTS ARE LISTED, SOME ARE WITHIN A LISTED CATEGORY

179-191

**PERSONAL SAFETY GEAR** ..... 180-182

- RESPIRATORS ..... 180
- HEAD PROTECTION ..... 180
- BODY PROTECTION ..... 181
- GLOVES ..... 182

**RIDGEPRO** ..... 183

**LADDERS & ACCESSORIES** ..... 184-185

**STAIR CLIMBING FORKLIFTS** ..... 186

**DRILL BITS, DRIVERS & SCREWS** ..... 187

**MASONRY TOOLS** ..... 187-189

**TILE BREAKERS** ..... 191



## MASONRY SUPPLIES & REPAIR

NOT ALL PRODUCTS ARE LISTED, SOME ARE WITHIN A LISTED CATEGORY

193-210



**CROWN REPAIR**..... 195-197

- CROWN SAFE..... 195
- CROWNSEAL ..... 196
- CROWNCOAT ..... 196
- CROWNSAVER..... 197

**CEMENT & MORTAR**..... 197-199

**CHAMBER SAFE** ..... 200

**CHAMBER REPAIR** ..... 201

**WATER PROOFING** ..... 204

**CHIMNEY & ROOF REPAIR** ..... 207

**SILICONE SEALANT**..... 208-209

**ACCESS & CLEANOUT DOORS**..... 210

## HEARTH & FIREPLACE

NOT ALL PRODUCTS ARE LISTED, SOME ARE WITHIN A LISTED CATEGORY

212-233

**SKAMOL PANELS**..... 212-214

**REFRACTORY PANELS**..... 216

**PETERSON/GAS LOG SYSTEMS**..... 218-221

**GAS LOGS SYSTEMS & ACCESSORIES**..... 222-224

**GRATES**..... 225

**GLASS DOORS** ..... 226-227

**FIREPLACE ACCESSORIES**..... 228-230

**THERMOMETER** ..... 231

**STOVE PAINT**..... 231-232

**GASKET REPAIR** ..... 233



## SALES & MARKETING

235-237

# NEW PRODUCTS



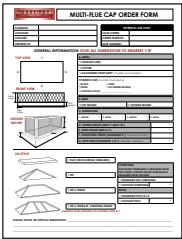
**4** SAFEFLEX LIGHTWALL LINER

**30** JEREMIAS CHIMNEY PIPES



**77** IN-O-VATE DRYERFLEX

**91** SANDKUHL CLAY CHIMNEY POTS



**100** EASY TO USE ORDER FORMS

**120** ROD STATION PRODUCTS



**133** BUTTONLOK SPIN HANDLES

**162** PIVIT LADDER ACCESSORIES



**165** CROWN SAFE CLEAR ELASTIC SEALANT

**166** TURBOCRIMPER®



## BUY YOURS TODAY!

 800.722.7230 | ONLINE ORDERING LINDEMANNSUPPLY.COM 

Technical Support Always Available. See Ordering Terms and Conditions for Details

# CHIMNEY LINERS & PIPES 10-75

## FEATURED: SAFEFLEX™ LINER

**SAFEFLEX** Liner can be used to reline existing chimneys, or in new construction and is available in a variety of sizes. Made with the highest quality material, this is our most popular liner system and the first choice for our professional chimney sweeps!

# 10

### 30



#### JEREMIAS CHIMNEY PIPE

Jeremias pipe uses high grade steel, and is the only chimney pipe in the industry that can be field cut to length!

### 73



#### THERMIX INSULATION

Don't forget to stock up on TherMix to add superior structural strength and insulation when installing liners!

### 77



#### DRYERFLEX

DryerFlex combines the ease of use and flexibility of foil flex with the fire resistance and airflow efficiency of semi-rigid transition hose

## LINER SIZING CHART

### Determine dimensions of ovalized liner:

- Locate starting diameter of round liner in first column
- Locate desired diameter of round liner in first row
- Follow starting column across and starting row down to intersecting square
- Dimensions of ovalized liner will be desired diameter x size found in intersecting square

**Example: The dimension of a 6" liner ovalized down to 5" = 5" x 7.4"**

### Determine correct ovalized liner size for proper fireplace venting:

1. Calculate area needed for fireplace liner based on fireplace opening size:  
Height (inches) x Width (inches)
2. Divide the Height x Width by 12 to determine square inches of fireplace opening
3. Locate square inches in first column that are greater than calculation in Step 2 and determine correct size liner

		DESIRED DIAMETER							
		4"	5"	6"	7"	8"	9"	10"	11"
STARTING DIAMETER	12" IN2 = 113.14			17.3" 79	16.75" 86	16" 93	15.5" 99	14.25" 102	13.5" 106
	11" IN2 = 94.99		16.1" 65	15.5" 72	15" 78	14.1" 83	13.5" 87	12.6" 92	
	10" IN2 = 78.50	16" 50	15" 57	14" 63	13.25" 68	12" 72	11.3" 76		
	9" IN2 = 63.58	13.1" 43	12.5" 50	12" 53	11.1" 56	10.4" 61			
	8" IN2 = 50.25	11.6" 36	11" 42	10.3" 45	9.5" 48				
	7" IN2 = 38.46	10" 32	9.2" 34	8.3" 36					
	6" IN2 = 28.26	8.1" 24	7.4" 25						

### Types available:

- 304 - wood and wood pellet applications
- 316 - all fuel applications

### Custom Rectangle or Square Premier Flex Heavywall Sizing Chart

For unusual sized chimneys requiring specialty liner, refer to the chart to the right for sizing. Custom fit components are available for these liner sizes. Call us today for ordering and pricing!

### Ratios for Flue Liners

- Round Liner: 12 to 1
- Oval Liner: 10 to 1
- Square Liner: 10 to 1
- Rectangle Liner: 10 to 1

Lindemann is not responsible for sizing your liner correctly. These charts merely provide guidelines.

### PRE-CALCULATED ROUND CHART AT 12 TO 1

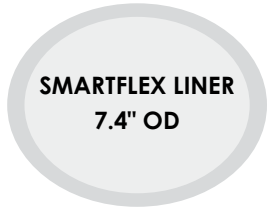
LINER DIAMETER	LINER OPENING (SQUARE INCHES)	FIREPLACE OPENING (SQUARE INCHES)
6"	28.26	339.12
7"	38.47	461.58
8"	50.24	602.88
9"	63.59	763.02
10"	78.50	942
11"	94.99	1139.82
12"	113.04	1356.48
13"	132.67	1591.98
14"	153.86	1846.32

## LINER SIZING CHART

### OVAL CHART 10 TO 1



ROUND



OVALIZED

6" ID

OVALIZED TO  
5" OD

STANDARD OVAL LINERS	EFFECTIVE FLUE AREA (E.F.A.)	OPENING NO BIGGER THAN...
7" to 6" = 6" x 8.3"	36	360
7" to 5" = 5" x 8.8"	34	340
8" to 7" = 7" x 9"	48	480
8" to 6" = 6" x 9.5"	45	450
9" to 8" = 8" x 10"	61	610
9" to 7" = 7" x 10.8"	56	560
9" to 6" = 6" x 11.8"	53	530
10" to 9" = 9" x 11.3"	76	760
10" to 8" = 8" x 12"	72	720
10" to 7" = 7" x 12.5"	68	680
11" to 10" = 10" x 11.5"	92	920
11" to 9" = 9" x 12"	87	870
11" to 8" = 8" x 12.8"	83	830
12" to 11" = 11" x 13"	106	1060
12" to 10" = 10" x 14"	102	1020
12" to 9" = 9" x 14.5"	99	990

## OTHER FACTORS TO CONSIDER

### Chimney Design:

- Longer chimney = Better Draft
- Outside = Better Draft
- Throat Size: Must Not Be Less Than 4" of Flue Size
- \*Red Flag - Flue Not Dead Center
- \*Red Flag - Dual Flues Together: One For Exhaust & One For Air Source

### Smoke Chambers

- Smoke Chamber Should Be Sloped at 30°, Not More Than 45°
- Height Not Greater Than Width
- Depth Not Greater Than Depth of Firebox
- Throat or Damper Should Be Located Minimum of 8" Above Top of Fireplace Opening
- Inner Surfaces Smooth (Parged)
- Any Parging at Base of Liner, Reduces Area of Whole Liner

### Fireboxes

- Shallow Fireboxes Can Cause Problem

### Dampers

- Dampers Which Reduce Throat Size Can Create Draft Issues
- Dampers Must Open Completely
- Seal Tight Dampers Reduce Opening Size

800.722.7230 | ONLINE ORDERING LINDEMANNCHIMNEYSUPPLY.COM

Prices are subject to change. See our website for the most up to date pricing.



## SAFEFLEX LIGHTWALL LINER

The Preferred Choice of Chimney & Hearth Professionals!



	3" DIA.	4" DIA.	5" DIA.	5.5" DIA.	6" DIA.	7" DIA.
PER FOOT	\$3.78 SF3-L	\$6.06 SF4-L	\$6.71 SF5-L	\$8.05 SF5.5-L	\$8.36 SF6-L	\$8.88 SF7-L
	8" DIA.	9" DIA.	10" DIA.	11" DIA.	12" DIA.	
PER FOOT	\$10.98 SF8-L	\$13.33 SF9-L	\$14.06 SF10-L	\$15.46 SF11-L	\$18.19 SF12-L	

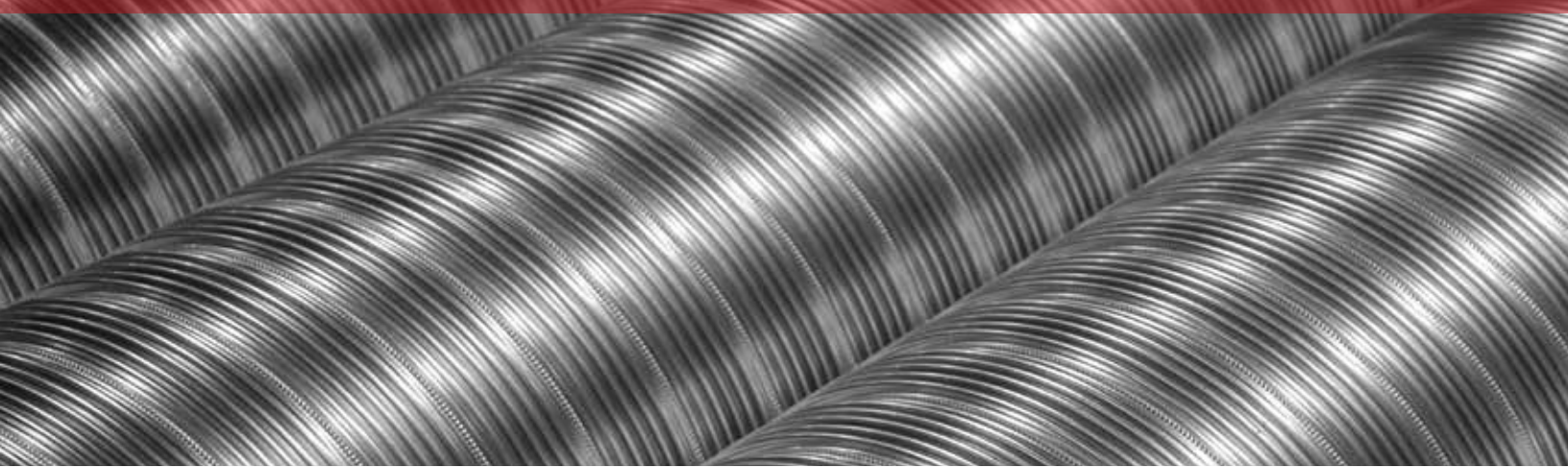
**SAFEFLEX Liner** can be used to reline existing chimneys or in new construction. It is an all fuel liner and can be used for wood, coal, oil, corn and gas appliances. This flexible liner features corrugated construction allowing it to both expand and contract during heat up and cool down periods. SAFEFLEX Liner is UL listed by Underwriter Laboratories to UL 1777 standards.

- Acid resistant, all fuel liner for wood, coal, oil, corn, and gas appliances
- Constructed with .006", 316, flexible, stainless steel
- Lifetime transferable warranty, valid only if properly installed/maintained by a chimney professional
- UL listed by Underwriters Laboratories to UL 1777



Product Sales Brochures Available! Call for Details!

# SAFEFLEX LIGHTWALL LINER



800.722.7230 | ONLINE ORDERING [LINDEMANNCHIMNEYSUPPLY.COM](http://LINDEMANNCHIMNEYSUPPLY.COM)



## SAFEFLEX SMOOTHWALL LINER

CHIMNEY LINERS & PIPES

### SAFEFLEX SMOOTHWALL LINER

**SAFEFLEX Smoothwall Liner** has superior flexibility and is made with two-ply, 316 stainless steel, resulting in a high BTU capacity. Its smooth interior allows for more airflow, reducing drag by 20% over traditional corrugated liners. This liner is UL listed

by Underwriters Laboratories to UL 1777 standards. Smoothwall can be used to vent any appliance and has a lifetime transferable warranty, valid only if installed/maintained by a chimney professional.

	5" DIA.	5.5" DIA.	6" DIA.	7" DIA.	8" DIA.	9" DIA.
PER FOOT	\$10.20 SF5-SW	\$10.97 SF5.5-SW	\$12.65 SF6-SW	\$13.91 SF7-SW	\$16.55 SF8-SW	\$18.37 SF9-SW
	10" DIA.	11" DIA.	12" DIA.	14" DIA.		
PER FOOT	\$18.98 SF10-SW	\$20.38 SF11-SW	\$25.08 SF12-SW	\$29.26 SF14-SW		

Product Sales Brochures Available! Call for Details!



800.722.7230 | ONLINE ORDERING [LINDEMANNCHIMNEYSUPPLY.COM](http://LINDEMANNCHIMNEYSUPPLY.COM)

Prices are subject to change. See our website for the most up to date pricing.



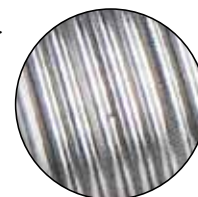
## SAFEXLEX LIGHTWALL STANDARD KITS

Our **SAFEXLEX Lightwall Liner Kits**, UL Listed to UL 1777 standards, offer reliable solutions for various fuel types, including wood, oil, coal, and gas.

The **SAFEXLEX Lightwall Standard Liner Kits**, available in 25', 30', and 35' lengths, are a trusted "all fuel" option with a 316, .006" stainless steel liner, a two-part Tee, and a Top Kit (rain cap and 13" x 13" top plate).

- All-fuel 316, .006", Stainless Steel Liner
- All Components Constructed with 316, Stainless Steel
- Standard Kits Include: Two-Part Tee with 10" Take-Off Snout, Tee End Cap, and Top Kit (Rain Cap, Storm Collar, Top Clamp, 13" x 13" Top Plate)
- Lifetime Transferable Warranty, Valid Only if Properly Installed and Maintained by a Certified Professional
- Liner is UL Listed by Underwriters Laboratories to UL 1777 Standards

LIGHTWALL HAS MORE RIDGES PER INCH >



### SAFEXLEX LIGHTWALL LINER



### STANDARD KIT ITEMS

#### TOP KIT / RAIN CAP



END CAPS



2 PIECE TEE SUPPORT

## SAFEXLEX LIGHTWALL STANDARD KITS

	3" DIA.	4" DIA.	5" DIA.	5.5" DIA.	6" DIA.	7" DIA.	8" DIA.
20' LENGTH	\$203.98 SF320-L-KIT	\$214.58 SF420-L-KIT	\$236.62 SF520-L-KIT	\$259.34 SF5.520-L-KIT	\$270.48 SF620-L-KIT	\$310.17 SF720-L-KIT	\$330.33 SF820-L-KIT
25' LENGTH	\$224.35 SF325-L-KIT	\$244.28 SF425-L-KIT	\$268.45 SF525-L-KIT	\$291.06 SF5.525-L-KIT	\$306.96 SF625-L-KIT	\$348.50 SF725-L-KIT	\$390.89 SF825-L-KIT
30' LENGTH	\$243.97 SF330-L-KIT	\$259.38 SF430-L-KIT	\$292.52 SF530-L-KIT	\$330.55 SF5.530-L-KIT	\$340.40 SF630-L-KIT	\$386.74 SF730-L-KIT	\$434.89 SF830-L-KIT
35' LENGTH	\$263.49 SF335-L-KIT	\$281.39 SF435-L-KIT	\$316.60 SF535-L-KIT	\$353.43 SF5.535-L-KIT	\$380.58 SF635-L-KIT	\$424.88 SF735-L-KIT	\$478.81 SF835-L-KIT
40' LENGTH	\$282.94 SF340-L-KIT	\$303.35 SF440-L-KIT	\$341.95 SF540-L-KIT	\$387.99 SF5.540-L-KIT	\$410.27 SF640-L-KIT	\$463.64 SF740-L-KIT	\$523.30 SF840-L-KIT

800.722.7230 | ONLINE ORDERING LINDEMANNCHIMNEYSUPPLY.COM

## SAFEFLEX LIGHTWALL BASIC KITS

The **SAFEFLEX Lightwall Basic Kits**, ideal for fireplace inserts, come in 20' to 40' lengths and include a 316, .006" stainless steel liner, a Top Kit, and a stove adapter. Both kits include installation instructions and a lifetime transferable warranty, valid only if installed or maintained by a chimney professional.

- All-fuel 316, .006", Stainless Steel Liner
- All Components Constructed with 316, Stainless Steel
- Basic Kits Include: Stove Adapter, and Top Kit (Rain Cap, Storm Collar, Top Clamp, 13" x 13" Top Plate)
- Lifetime Transferable Warranty, Valid Only if Properly Installed and Maintained by a Certified Professional
- Liner is UL Listed by Underwriters Laboratories to UL 1777 Standards



SAFEFLEX LIGHTWALL LINER

### BASIC KIT ITEMS

STOVE ADAPTER



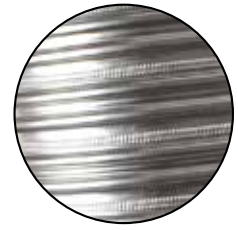
TOP KIT (RAIN CAP)

### SAFEFLEX LIGHTWALL BASIC KITS

	3" DIA.	4" DIA.	5" DIA.	5.5" DIA.	6" DIA.	7" DIA.	8" DIA.
20' LENGTH	\$136.59 SF320-L-BK	\$169.10 SF420-L-BK	\$179.62 SF520-L-BK	\$183.23 SF5.520-L-BK	\$220.30 SF620-L-BK	\$244.36 SF720-L-BK	\$273.52 SF820-L-BK
25' LENGTH	\$162.11 SF325-L-BK	\$188.75 SF425-L-BK	\$205.84 SF525-L-BK	\$228.21 SF5.525-L-BK	\$251.19 SF625-L-BK	\$272.85 SF725-L-BK	\$315.59 SF825-L-BK
30' LENGTH	\$188.82 SF330-L-BK	\$213.87 SF430-L-BK	\$244.72 SF530-L-BK	\$266.29 SF5.530-L-BK	\$292.77 SF630-L-BK	\$322.18 SF730-L-BK	\$349.25 SF830-L-BK
35' LENGTH	\$205.69 SF335-L-BK	\$238.87 SF435-L-BK	\$282.61 SF535-L-BK	\$303.84 SF5.535-L-BK	\$326.06 SF635-L-BK	\$363.30 SF735-L-BK	\$389.50 SF835-L-BK
40' LENGTH	\$222.24 SF340-L-BK	\$260.08 SF440-L-BK	\$309.22 SF540-L-BK	\$333.03 SF5.540-L-BK	\$367.38 SF640-L-BK	\$399.32 SF740-L-BK	\$428.69 SF840-L-BK

800.722.7230 | ONLINE ORDERING [LINDEMANNCHIMNEYSUPPLY.COM](http://LINDEMANNCHIMNEYSUPPLY.COM)

Prices are subject to change. See our website for the most up to date pricing.



SMOOTHWALL HAS FEWER RIDGES PER INCH

## SAFEFLEX SMOOTHWALL STANDARD KITS

Our **SAFEFLEX Smoothwall Standard Kits**, designed for high BTU capacity and superior flexibility, reduce drag by 20% compared to traditional corrugated liners, enhancing airflow. These UL 1777 listed kits, available in 20', 25', 30', and 35' lengths, include a two-ply 316 stainless steel liner, a tee with end cap, and a top kit (rain cap and 13" x 13" top plate).

- All-fuel 316, .006", Stainless Steel Liner
- All Components Constructed with 316, Stainless Steel
- Standard Kits Include: Two-Part Tee with 10" Take-Off Snout, Tee End Cap, and Top Kit (Rain Cap, Storm Collar, Top Clamp, 13" x 13" Top Plate)
- Lifetime Transferable Warranty, Valid Only if Properly Installed and Maintained by a Certified Professional
- Liner is UL Listed by Underwriters Laboratories to UL 1777 Standards

### STANDARD KIT ITEMS



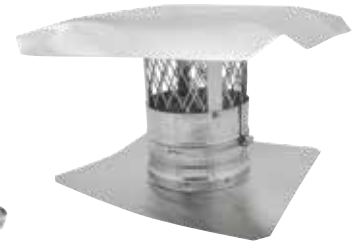
SAFEFLEX SMOOTHWALL LINER



END CAPS



2 PIECE TEE SUPPORT



TOP KIT / RAIN CAP

## SAFEFLEX SMOOTHWALL STANDARD KITS

	5" dia.	5.5" dia.	6" dia.	7" dia.	8" dia.
<b>20' LENGTH</b>	\$255.38 SF520-SW-KIT	\$273.62 SF5.520-SW-KIT	\$295.57 SF620-SW-KIT	\$338.23 SF720-SW-KIT	\$380.56 SF820-SW-KIT
<b>25' LENGTH</b>	\$298.56 SF525-SW-KIT	\$326.34 SF5.525-SW-KIT	\$349.44 SF625-SW-KIT	\$401.31 SF725-SW-KIT	\$450.59 SF825-SW-KIT
<b>30' LENGTH</b>	\$341.25 SF530-SW-KIT	\$373.62 SF5.530-SW-KIT	\$401.02 SF630-SW-KIT	\$461.81 SF730-SW-KIT	\$519.86 SF830-SW-KIT
<b>35' LENGTH</b>	\$383.59 SF535-SW-KIT	\$420.50 SF5.535-SW-KIT	\$456.49 SF635-SW-KIT	\$525.73 SF735-SW-KIT	\$591.15 SF835-SW-KIT

800.722.7230 | ONLINE ORDERING [LINDEMANNCHIMNEYSUPPLY.COM](http://LINDEMANNCHIMNEYSUPPLY.COM)



## SAFEFLEX SMOOTHWALL BASIC KITS

The **SAFEFLEX Smoothwall Basic Kits**, are for fireplace insert applications where a tee and cap are unnecessary. They are also UL 1777 listed, offer a two-ply 316, .006" stainless steel liner, top kit, and stove adapter, available in similar lengths. Both kits come with a lifetime transferable warranty, valid only if installed or maintained by a chimney professional.

- All-fuel 316, .006", Stainless Steel Liner
- All Components Constructed with 316, Stainless Steel
- Basic Kits Include: Stove Adapter, and Top Kit (Rain Cap, Storm Collar, Top Clamp, 13" x 13" Top Plate)
- Lifetime Transferable Warranty, Valid Only if Properly Installed and Maintained by a Certified Professional
- Liner is UL Listed by Underwriters Laboratories to UL 1777 Standards

### BASIC KIT ITEMS



SAFEFLEX LIGHTWALL LINER



STOVE ADAPTER



TOP KIT (RAIN CAP)

## SAFEFLEX SMOOTHWALL BASIC KITS

	5" dia.	5.5" dia.	6" dia.	7" dia.	8" dia.
20' LENGTH	\$232.84 SF520-SW-BK	\$237.66 SF520-SW-BK	\$255.44 SF620-SW-BK	\$296.41 SF720-SW-BK	\$337.62 SF820-SW-BK
25' LENGTH	\$261.51 SF525-SW-BK	\$286.31 SF5.525-SW-BK	\$311.90 SF625-SW-BK	\$362.41 SF725-SW-BK	\$409.00 SF825-SW-BK
30' LENGTH	\$305.23 SF530-SW-BK	\$334.59 SF5.530-SW-BK	\$364.76 SF630-SW-BK	\$424.40 SF730-SW-BK	\$479.94 SF830-SW-BK
35' LENGTH	\$348.73 SF535-SW-BK	\$382.62 SF5.535-SW-BK	\$417.37 SF635-SW-BK	\$486.12 SF735-SW-BK	\$554.91 SF835-SW-BK

800.722.7230 | ONLINE ORDERING LINDEMANNCHIMNEYSUPPLY.COM

Prices are subject to change. See our website for the most up to date pricing.



## SMART FLEX



### SMARTFLEX LINER

#### The Preferred Choice of Chimney Professionals!

- Acid resistant, all fuel liner for wood, coal, oil, corn, and gas appliances
- Constructed with .006", 316, flexible, stainless steel
- Lifetime transferable warranty, valid only if properly installed/maintained by a chimney professional
- UL listed by Underwriters Laboratories to UL 1777, ULC-S635, and 441 standards for insulation

SmartFlex Liner can be used to reline existing chimneys or in new construction. It is an all fuel liner and can be used for wood, coal, oil, corn and gas appliances. This flexible liner features corrugated construction allowing it to both expand and contract during heat up and cool down periods. SmartFlex Liner is UL listed by Underwriter Laboratories to UL 1777, 64, and 441 standards.

#### Please Note:

10" - 12" liner sold in 5' increments only, maximum length between couplers is 20'. All other sizes are cut to order per foot.

Coils of 100' or more are eligible for a 10% discount, call for ordering!

Ovalizing available, \$2.00 per foot. See Ordering Terms & Conditions for more details.

	3" dia.	4" dia.	5" dia.	5.5" dia.	6" dia.	
PER FOOT	\$10.98	\$12.11	\$14.74	\$17.26	\$16.83	
	CB3ID	CB4ID	CB5ID	CB5.5ID	CB6ID	
	7" dia.	8" dia.	9" dia.	10" dia.	11" dia.	12" dia.
	\$19.83	\$23.81	\$27.81	\$30.82	\$33.10	\$36.55
	CB7ID	CB8ID	CB9ID	CB10ID	CB11ID	CB12ID

Product Sales Brochures Available! Call for Details!

### SMARTFLEX SMOOTHWALL LINER

SmartFlex Smoothwall Liner has superior flexibility and is made with two-ply, 316 stainless steel, resulting in a high BTU capacity. Its smooth interior allows for more airflow, reducing drag by 20% over traditional corrugated liners. This liner is UL listed by Underwriters Laboratories to UL 1777, and ULC-S635 standards. Smoothwall can be used to vent any appliance and has a lifetime transferable warranty, valid only if installed/maintained by a chimney professional.

3" - 12" liner sold in 5' increments only.

Special 10% discount on bulk coils of 100' or more. Ovalizing is not available.

Call for Pricing!





## PREMIER FLEX HW LINER

Premier Flex Heavy Wall Liner is constructed with .015" thick steel, and features an interlocked design to maximize strength, durability and flexibility. This liner can be used for all fuel burning appliances including: wood, wood pellet, oil, gas and corn. Because of it's design, this liner can withstand being ovalized and squared/rectangled to accommodate for unusual offsets or rectangular chimneys. When this liner is taken "out of round", it does not reduce the cross sectional area.

**Available in 3" - 12" round, and 5.75" x 9.5", 6" x 10", 7" x 11", 8" x 12".  
Product shipped by freight line, fees may apply.**

**Available in 304/316. Call for Pricing!**

## PREMIER FLEX LITE LINER

Premier Flex Lite Liner is constructed with .010" thick steel, and can be used for all fuel burning appliances including: wood, wood pellet, oil, gas and corn. The thinner steel allows the Lite Liner to retain the durability of a Heavy Wall Liner, but at a more manageable weight.

**Available in 3" - 12" round, and 5.75" x 9.5", 6" x 10", 7" x 11", 8" x 12"  
Product shipped by freight line, fees may apply.**

**Additional Sizes Are Available. Call for Pricing!**



### 316 STAINLESS STEEL

	5" dia.	5.5" dia.	6" dia.	7" dia.	8" dia.
25' LENGTH	\$483.42 PRL525L	\$517.93 PRL5.525L	\$517.93 PRL625L	\$667.55 PRL725L	\$865.60 PRL825L
30' LENGTH	\$580.10 PRL530L	\$621.53 PRL5.530L	\$621.53 PRL630L	\$801.07 PRL730L	\$949.80 PRL830L
35' LENGTH	\$676.75 PRL535L	\$725.12 PRL5.535L	\$725.12 PRL635L	\$934.58 PRL735L	\$1108.07 PRL835L
50' LENGTH	\$966.80 PRL550L	\$1035.87 PRL5.550L	\$1035.87 PRL650L	\$1335.12 PRL750L	\$1583.00 PRL850L

### 304 STAINLESS STEEL

	5" dia.	5.5" dia.	6" dia.	7" dia.	8" dia.
25' LENGTH	\$413.18 PRL525	\$442.67 PRL5.525	\$442.67 PRL625	\$570.57 PRL725	\$676.50 PRL825
30' LENGTH	\$495.80 PRL530	\$531.22 PRL5.530	\$531.22 PRL630	\$684.67 PRL730	\$811.78 PRL830
35' LENGTH	\$578.43 PRL535	\$619.75 PRL5.535	\$619.75 PRL635	\$798.78 PRL735	\$947.10 PRL835
50' LENGTH	\$826.30 PRL550	\$885.35 PRL5.550	\$885.35 PRL650	\$1141.13 PRL750	\$1353.00 PRL850

**800.722.7230 | ONLINE ORDERING LINDEMANNCHIMNEYSUPPLY.COM**

Prices are subject to change. See our website for the most up to date pricing.

## SMARTFLEX STANDARD LINER KITS



Our SmartFlex Standard Liner Kits are used for all fuel type applications including wood, oil, coal and gas appliances. These standard kits come with installation instructions and a lifetime transferable warranty, valid only if installed/maintained by a chimney professional. This SmartFlex Standard Liner Kit has been used by professionals in the industry for

over two decades, and continues to be our most popular "all fuel" kit.

The SmartFlex Standard Liner Kits come in 25', 30', and 35' lengths and include: all fuel 316, .006", stainless steel liner, two-part Tee with 10" take-off snout, Tee End Cap, and Top Kit (rain cap, 13" x 13" top plate).

### Our Best Selling Liner Kits!

- All fuel 316, .006", stainless steel liner
- All components constructed with 316, stainless steel
- Includes: two-part Tee with 10" take-off snout, Tee End Cap, and Top Kit (rain cap, storm collar, top clamp, 13" x 13" top plate)
- California mesh available
- Lifetime transferable warranty, valid only if properly installed/maintained by a chimney professional
- Liner is UL listed by Underwriters Laboratories to UL 1777, ULC-S635, and 441 standards for insulation

	3" dia.	4" dia.	5" dia.	5.5" dia.	6" dia.	7" dia.	8" dia.
<b>25' LENGTH</b>	<b>\$427.38</b> CB325KIT	<b>\$450.34</b> CB425KIT	<b>\$481.62</b> CB525KIT	<b>\$520.34</b> CB5.525KIT	<b>\$553.60</b> CB625KIT	<b>\$631.16</b> CB725KIT	<b>\$712.26</b> CB825KIT
<b>30' LENGTH</b>	-	-	<b>\$525.60</b> CB530KIT	<b>\$607.54</b> CB5.530KIT	<b>\$619.92</b> CB630KIT	-	-
<b>35' LENGTH</b>	<b>\$514.42</b> CB335KIT	<b>\$516.42</b> CB435KIT	<b>\$569.56</b> CB535KIT	<b>\$645.00</b> CB5.535KIT	<b>\$707.46</b> CB635KIT	<b>\$781.52</b> CB735KIT	<b>\$886.36</b> CB835KIT

## SMARTFLEX BASIC LINER KITS

The SmartFlex Basic Kit is perfect for fireplace insert applications where a tee and tee cap are not necessary. The kit is UL 1777 listed and tested, and constructed with all fuel 316, .006", stainless steel. These kits have a lifetime transferable warranty, valid only if installed/maintained by a chimney professional.

The SmartFlex Basic Kits come in 25', 30', and 35' lengths and include: 316, .006", stainless steel liner, top kit (rain cap, 13" x 13" top plate) and stove adapter.

- Includes Stove Adapter and Top Kit (rain cap, storm collar, top clamp, 13" x 13" top plate)
- California mesh available
- Constructed with .006", 316, flexible, stainless steel
- Lifetime transferable warranty, valid only if properly installed/maintained by a chimney professional
- Liner is UL listed by Underwriters Laboratories to UL 1777, ULC-S635, and 441 standards for insulation

	3" dia.	4" dia.	5" dia.	5.5" dia.	6" dia.	7" dia.	8" dia.
<b>25' LENGTH</b>	<b>\$292.94</b> CB325BK	<b>\$336.88</b> CB425BK	<b>\$351.52</b> CB525BK	<b>\$398.38</b> CB5.525BK	<b>\$445.24</b> CB625BK	<b>\$468.70</b> CB725BK	<b>\$553.64</b> CB825BK
<b>30' LENGTH</b>	-	-	<b>\$436.46</b> CB530BK	<b>\$478.98</b> CB5.530BK	<b>\$534.24</b> CB630BK	-	-
<b>35' LENGTH</b>	<b>\$390.58</b> CB335BK	<b>\$439.36</b> CB435BK	<b>\$521.44</b> CB535BK	<b>\$559.48</b> CB5.535BK	<b>\$597.56</b> CB635BK	<b>\$653.24</b> CB735BK	<b>\$676.64</b> CB835BK

800.722.7230 | ONLINE ORDERING LINDEMANNCHIMNEYSUPPLY.COM

Technical Support Always Available. See Ordering Terms and Conditions for Details.

## SMARTFLEX SMOOTHWALL STANDARD LINER KITS



Our SmartFlex Smoothwall Liner Kits are used for the same applications as the SmartFlex Liner Kits. SmartFlex Smoothwall Liner has a high BTU capacity, and superior flexibility. The smooth interior of this liner allows for more airflow, reducing drag by 20% over traditional corrugated liners. SmartFlex Smoothwall can be used to vent any appliance, is UL 1777

listed and tested, and has a lifetime transferable warranty, valid only if installed/maintained by a chimney professional.

The SmartFlex Smoothwall Standard Kits come in 25', 30', and 35' lengths and include: stainless steel liner (two-ply, 316), tee with end cap, and top kit (rain cap, 13" x 13" top plate).

	5" dia.	5.5" dia.	6" dia.	7" dia.	8" dia.
<b>25' LENGTH</b>	<b>\$529.46</b> SW525KIT	<b>\$579.02</b> SW5.525KIT	<b>\$628.60</b> SW625KIT	<b>\$727.70</b> SW725KIT	<b>\$826.86</b> SW825KIT
<b>30' LENGTH</b>	<b>\$618.16</b> SW530KIT	<b>\$677.68</b> SW5.530KIT	<b>\$737.14</b> SW630KIT	-	-
<b>35' LENGTH</b>	<b>\$706.88</b> SW535KIT	<b>\$776.24</b> SW5.535KIT	<b>\$845.68</b> SW635KIT	<b>\$984.46</b> SW735KIT	<b>\$1123.24</b> SW835KIT



## SMART FLEX



## SMARTFLEX RIGID PIPE

Best Pipe for Stoves!

SmartFlex Rigid Pipe is constructed with high-grade 304, 24 gauge, stainless steel. This rigid pipe is UL listed to UL 1777, ULC-S635, and comes with a lifetime transferable warranty, valid only if installed/maintained by a chimney professional. This system is great for

use with wood and wood pellet applications, including stoves! It requires the use of a standard top plate, top clamp, storm collar, and rain cap. If a tee is being utilized, ensure the tee fits properly using an outside dimension measurement.

	6" dia.	7" dia.	8" dia.
<b>12" LENGTH</b>	<b>\$26.94</b> NC612SS	<b>\$28.51</b> NC712SS	<b>\$30.29</b> NC812SS
<b>18" LENGTH</b>	<b>\$38.69</b> NC618SS	<b>\$43.59</b> NC718SS	<b>\$45.33</b> NC818SS
<b>24" LENGTH</b>	<b>\$43.67</b> NC624SS	<b>\$50.40</b> NC724SS	<b>\$55.43</b> NC824SS
<b>36" LENGTH</b>	<b>\$60.65</b> NC636SS	<b>\$70.70</b> NC736SS	<b>\$80.98</b> NC836SS
<b>48" LENGTH</b>	<b>\$79.26</b> NC648SS	<b>\$97.50</b> NC748SS	<b>\$104.59</b> NC848SS

Available in 316, call for pricing.

## SMARTFLEX STEEL STOVE ADAPTERS



The SmartFlex Stove Adapter is made with 304 stainless steel and allows you to quickly and easily attach a stainless steel chimney liner to a fireplace insert

using its "EZ" band clamp. This stove adapter can also connect to a stainless steel chimney liner insert boot, liner elbow and insert adapter.

3" dia.	4" dia.	5" dia.	6" dia.	7" dia.	8" dia.
\$20.18 NC3SA	\$20.13 NC4SA	\$20.08 NC5SA	\$23.50 NC6SA	\$28.51 NC7SA	\$31.97 NC8SA

## SMARTFLEX INSERT ADAPTERS

The SmartFlex Insert Adapter's unique, two-piece design allows a front-to-back or side-to-side adjustment in the firebox, altering the center-to-center distance the collars. This adapter accommodates a horizontal offset from 0" - 9" without added clearance required for elbows. The SmartFlex Insert Adapter will accept ID pipe with a coupler; the top collar accepts OD flex liner or rigid pipe, and the bottom collar will fit into most stoves that require a crimped connection. The adapter easily attaches with screws or rivets like most liner or pipe.



5" dia.	6" dia.	8" dia.
\$120.76 NC5IA	\$133.04 NC6IA	\$146.51 NC8IA

## SMARTFLEX APPLIANCE ADAPTERS



This SmartFlex Appliance Adapter is made with 316 stainless steel and attaches to the appliance outlet

allowing for easy pipe connection. Be sure to seal the adapter with high temperature sealant.

3" dia.	4" dia.	5" dia.	5.5" dia.	6" dia.	7" dia.	8" dia.
\$23.48 NC3AA	\$30.19 NC4AA	\$35.30 NC5AA	\$31.97 NC5.5AA	\$33.51 NC6AA	\$37.03 NC7AA	\$43.71 NC8AA

### STOVE ADAPTERS

**Purpose:** Connect a wood stove (or similar solid-fuel stove) to a chimney pipe system.

**Design:** Typically built to handle high temperatures, often with thicker materials.

**Fitment:** One side connects to the flue collar of the stove (which may be slightly different in size/shape), and the other side connects to chimney or stovepipe.

**Use Case:** Solid-fuel appliances like wood stoves, pellet stoves, or coal stoves.

### APPLIANCE ADAPTERS

**Purpose:** Connect gas or oil appliances (like a furnace, boiler, or water heater) to the venting system.

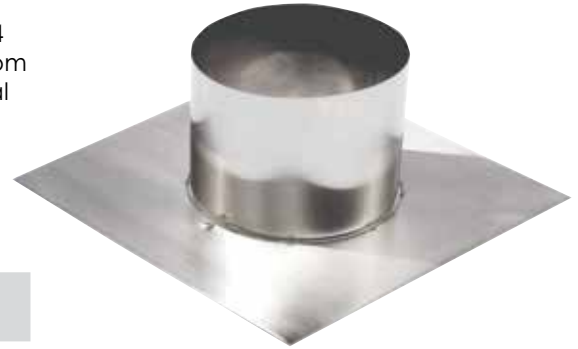
**Design:** Often designed for lower temperatures than wood stoves, and may use galvanized steel or other materials suited for those fuels.

**Fitment:** Connects from the appliance outlet (such as a draft hood or flue collar) to the vent or chimney connector.

**Use Case:** Gas or oil-burning appliances.

## SMARTFLEX BOTTOM PLATES

These SmartFlex Bottom Plates come standard with an 18 gauge, 304 stainless steel base plate, and a 5" high, 24 gauge collar. These bottom plates are also available with: galvanized steel mesh base & optional stainless steel mesh or double welded, steel base (call for pricing).



### BOTTOM PLATE STAINLESS STEEL

	5" dia.	6" dia.	7" dia.	8" dia.
13" X 13"	\$40.34 NC5BP	\$40.34 NC6BP	\$44.33 NC7BP	\$44.33 NC8BP

	9" dia.	10" dia.	11" dia.	12" dia.
13" X 13"	\$44.33 NC9BP	\$44.33 NC10BP	\$44.33 NC11BP	-

18" X 18"	-	-	-	\$68.75 NC12BP1818
-----------	---	---	---	-----------------------

### BOTTOM PLATE GALVANIZED MESH

5.5" dia.	6" dia.	7" dia.	8" dia.
\$44.44 NC5.5BPMESH	\$44.44 NC6BPMESH	\$44.44 NC7BPMESH	\$44.44 NC8BPMESH

9" dia.	10" dia.	11" dia.	12" dia.
\$44.44 NC9BPMESH	\$50.51 NC10BPMESH	\$50.51 NC11BPMESH	\$50.51 NC12BPMESH



## SMARTFLEX MORTAR COLLARS

SmartFlex Mortar Collars are a great option when you aren't using a tee connector but must pass through a thimble. Simply slide the mortar collar over the liner and bend the liner at the thimble. These collars are available in stainless steel and aluminum.



### MORTAR COLLAR STAINLESS STEEL

3" dia.	4" dia.	5" dia.	5.5" dia.	6" dia.	7" dia.	8" dia.	9" dia.	10" dia.
\$13.43 NC3MC	\$21.79 NC4MC	\$23.52 NC5MC	\$25.25 NC5.5MC	\$23.52 NC6MC	\$26.91 NC7MC	\$30.15 NC8MC	\$35.29 NC9MC	\$68.89 NC10MC

### MORTAR COLLAR ALUMINUM

3" dia.	4" dia.	5" dia.	5.5" dia.	6" dia.	7" dia.	8" dia.	9" dia.	10" dia.
\$14.99 NC3MCAL	\$16.59 NC4MCAL	\$18.31 NC5MCAL	\$18.30 NC5.5MCAL	\$18.30 NC6MCAL	\$20.00 NC7MCAL	\$21.59 NC8MCAL	\$21.66 NC9MCAL	\$24.95 NC10MCAL



NC6SLIPR

## SMARTFLEX SLIP CONNECTORS

SmartFlex Slip Connectors for rigid pipe allow for 2" - 10" of adjustment when connecting a pipe to a chimney support box. These connectors are available in 304 and 316 stainless steel.

### SLIP CONNECTOR 304 STAINLESS STEEL

6" dia.	7" dia.	8" dia.	9" dia.	10" dia.
\$40.38 NC6SLIPR	\$47.03 NC7SLIPR	\$50.47 NC8SLIPR	\$63.71 NC9SLIPR	\$72.25 NC10SLIPR

### SLIP CONNECTOR 316 STAINLESS STEEL

4" dia.	5" dia.	6" dia.	7" dia.	8" dia.	9" dia.
\$46.03 NC4SLIPL	\$69.22 NC5SLIPL	\$70.96 NC6SLIPL	\$81.47 NC7SLIPL	\$91.95 NC8SLIPL	\$115.09 NC9SLIPL

## SMARTFLEX ROUND COUPLERS - FEMALE/MALE

Our Female/Male connecting SmartFlex Round Couplers are made with high-quality, 24 gauge, 316 stainless steel. These couplers come in ID measurements, and are fabricated without clamps. This product is also available with "EZ" band clamps on both the female and male ends.

### ROUND COUPLER, FEMALE/MALE "EZ" BAND CLAMPS 316 STAINLESS STEEL

3" dia.	4" dia.	5" dia.	5.5" dia.	6" dia.	
\$23.48 NC3CEZL	\$28.47 NC4CEZL	\$31.87 NC5CEZL	\$33.51 NC5.5CEZL	\$33.51 NC6CEZL	
7" dia.	8" dia.	9" dia.	10" dia.	11" dia.	12" dia.
\$38.61 NC7CEZL	\$43.73 NC8CEZL	\$47.02 NC9CEZL	\$52.00 NC10CEZL	\$59.00 NC11CEZL	\$63.98 NC12CEZL



NC3CEZL

### ROUND COUPLER, FEMALE/MALE 316 STAINLESS STEEL



NC3CL

3" dia.	4" dia.	5" dia.	5.5" dia.	6" dia.	
\$20.20 NC3CL	\$21.82 NC4CL	\$21.83 NC5CL	\$25.15 NC5.5CL	\$25.15 NC6CL	
7" dia.	8" dia.	9" dia.	10" dia.	11" dia.	12" dia.
\$26.82 NC7CL	\$28.52 NC8CL	\$35.32 NC9CL	\$40.36 NC10CL	\$43.71 NC11CL	\$45.41 NC12CL

NC7MMCL



## SMARTFLEX ROUND COUPLERS - MALE/MALE

These Male/Male connecting SmartFlex Round Couplers are made with high-quality, 24 gauge, 316 stainless steel. Our couplers come in ID measurements, with available aluminum options.

### ROUND COUPLER, MALE/MALE 316 STAINLESS STEEL

3" dia.	4" dia.	5" dia.	5.5" dia.	6" dia.	7" dia.	8" dia.	9" dia.	10" dia.
\$20.20 NC3MMCL	\$21.82 NC4MMCL	\$21.83 NC5MMCL	\$25.15 NC5.5MMCL	\$25.15 NC6MMCL	\$26.82 NC7MMCL	\$28.52 NC8MMCL	\$35.32 NC9MMCL	\$40.36 NC10MMCL

NC3CAL



### ROUND COUPLER, MALE/MALE ALUMINUM

3" dia.	4" dia.	5" dia.	5.5" dia.	6" dia.	7" dia.	8" dia.
\$9.62 NC3CAL	\$9.95 NC4CAL	\$14.96 NC5CAL	\$11.68 NC5.5CAL	\$12.59 NC6CAL	\$13.15 NC7CAL	\$14.53 NC8CAL



NC745FLEXSSL 45 DEGREE, 316 SS

## SMARTFLEX ELBOWS

SmartFlex Elbows are constructed of high quality stainless steel, and provide an unsurpassed fit. They are designed as adjustable or fixed components, and are available in 3" - 8" diameters. These elbows are used for rigid pipe or outside diameter (OD)/inside diameter (ID) flex pipe in a multitude of degrees, call when ordering any sizes not listed below.



NC690FLEXSSL 90 DEGREE, 316 SS

### ADJUSTABLE ELBOW 316 STAINLESS STEEL, ID FLEX PIPE

	5" dia.	6" dia.	7" dia.	8" dia.
45 DEGREE	\$54.57 NC545FLEXSSL	\$63.38 NC645FLEXSSL	\$68.58 NC745FLEXSSL	\$73.84 NC845FLEXSSL
90 DEGREE	\$66.92 NC590FLEXSSL	\$73.87 NC690FLEXSSL	\$79.08 NC790FLEXSSL	\$86.39 NC890FLEXSSL



NC715SSF 15 DEGREE, 304 SS



NC745SSF 45 DEGREE, 304 SS

### FIXED ELBOW 304 STAINLESS STEEL, RIGID & OD FLEX PIPE

	6" dia.	7" dia.	8" dia.
15 DEGREE	\$42.29 NC615SSF	\$47.56 NC715SSF	\$54.57 NC815SSF
30 DEGREE	\$42.29 NC630SSF	\$47.56 NC730SSF	\$52.90 NC830SSF
45 DEGREE	\$42.29 NC645SSF	\$47.56 NC745SSF	\$52.90 NC845SSF
90 DEGREE	\$47.53 NC690SSF	\$50.97 NC790SSF	\$56.42 NC890SSF
90 DEGREE, ADJ.	\$63.26 NC690SS	\$65.01 NC790SS	\$77.30 NC890SS



NC730SSF 30 DEGREE, 304 SS



NC790SSF 90 DEGREE, 304 SS

800.722.7230 | ONLINE ORDERING LINDEMANNCHIMNEYSUPPLY.COM

Prices are subject to change. See our website for the most up to date pricing.

## SMARTFLEX INSERT BOOTS



These SmartFlex Insert Boots are 24 gauge, 304 stainless steel, and designed to attach rigid pipe or flexible liner with a coupler to the exhaust vents of most inserts. These insert boots come with a variety of opening sizes, and measure 10" W x 16" L x 4" H.

6" dia.	7" dia.	8" dia.
\$122.47 NCSS6B	\$117.90 NCSS7B	\$132.98 NCSS8B
<b>SMALL OVAL BOOT</b> (FITS 8" LINER OVALIZED TO 5")		<b>LARGE OVAL BOOT</b> (FITS 10" LINER OVALIZED TO 5")
\$143.00 NCSSSO		\$148.02 NCSSLO

## SMARTFLEX NOSE CONES

SmartFlex Nose Cones are made with stainless steel and designed to fit the ID of SmartFlex liners. These nose cones help on installations when a liner is being pulled down through the chimney!

3" dia.	4" dia.	5" dia.	5.5" dia.	6" dia.	
\$45.32 NC3NC	\$48.69 NC4NC	\$50.31 NC5NC	\$52.10 NC5.5NC	\$50.47 NC6NC	
7" dia.	8" dia.	9" dia.	10" dia.	11" dia.	12" dia.
\$55.38 NC7NC	\$57.13 NC8NC	\$58.93 NC9NC	\$72.21 NC10NC	\$77.40 NC11NC	\$82.29 NC12NC



## SMARTFLEX UNIVERSAL TAKE-OFFS

The SmartFlex Universal Take-Offs act like tee snouts, and have a female take-off intended for category I gas applications. These take-offs each measure 10 1/2" long.

3" dia.	4" dia.	5" dia.	6" dia.	7" dia.	8" dia.
\$40.34 NC3UTOL	\$43.84 NC4UTOL	\$45.45 NC5UTOL	\$48.67 NC6UTOL	\$65.60 NC7UTOL	\$67.33 NC8UTOL

800.722.7230 | ONLINE ORDERING [LINDEMANNCHIMNEYSUPPLY.COM](http://LINDEMANNCHIMNEYSUPPLY.COM)

## SMARTFLEX RAIN CAPS

SmartFlex Rain Caps are made with 304 stainless steel, and help keep debris, rain, and animals out of your chimney while allowing for optimal draft. These rain caps are quick and easy to install!



For Pre-Insulated Liner, add 1" to the diameter.

### Rain Cap - Rigid Pipe

6" dia.	7" dia.	8" dia.	9" dia.	10" dia.
\$53.69 NC6RC	\$62.10 NC7RC	\$65.64 NC8RC	\$67.00 NC9RC	\$94.30 NC10RC

### Rain Cap - "EZ" Top Plate

3" dia.	4" dia.	5" dia.	5.5" dia.	6" dia.	7" dia.	8" dia.	9" dia.	10" dia.
\$45.47 NC3TKRC	\$45.47 NC4TKRC	\$50.40 NC5TKRC	\$53.69 NC5.5TKRC	\$53.69 NC6TKRC	\$62.10 NC7TKRC	\$65.64 NC8TKRC	\$62.22 NC9TKRC	\$110.58 NC10TKRC

## SMARTFLEX TOP CLAMPS

These SmartFlex Top Clamps add extra support when securing the flue pipe to the top plate.

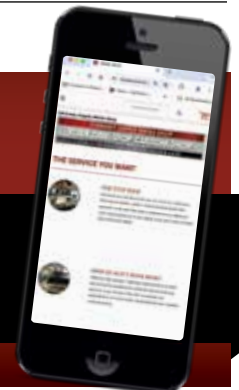


3" dia. \$18.50 NC3TC	4" dia. \$17.62 NC4TC	5" dia. \$18.39 NC5TC	5.5" dia. \$18.50 NC5.5TC	6" dia. \$18.50 NC6TC	
7" dia. \$18.52 NC7TC	8" dia. \$20.93 NC8TC	9" dia. \$23.49 NC9TC	10" dia. \$26.06 NC10TC	11" dia. \$29.39 NC11TC	12" dia. \$33.58 NC12TC



**CHAT WITH US**

**ORDER ONLINE 24/7**  
**WWW.LINDEMANNSUPPLY.COM**



**800.722.7230 | ONLINE ORDERING LINDEMANNCHIMNEYSUPPLY.COM**

Prices are subject to change. See our website for the most up to date pricing.

## SMARTFLEX TOP PLATES



SmartFlex Top Plates are made with 18 gauge, 304 stainless steel which adds extra support when securing the flue pipe. They are available in measurements of 13" x 13" and 18" x 18". These Top Plates also come available with an "EZ" band clamp, which are made with 24 gauge, 304 stainless steel.

The "EZ" Flue Fit Top Plate features an "EZ" band connection, constructed with 24 gauge, 304 stainless steel, and fit to three different size flues: 9" x 9", 9" x 13", and 13" x 13".

Additional diameters for these products are available, check our website for more details!

For Pre-Insulated Liner, add 1" to the diameter.

### TOP PLATE STANDARD

	3" dia.	4" dia.	5" dia.	5.5" dia.	6" dia.	7" dia.	8" dia.	9" dia.	10" dia.	11" dia.
13" X 13"	\$29.35 NC3TP	\$29.35 NC4TP	\$29.35 NC5TP	\$29.35 NC5.5TP	\$29.35 NC6TP	\$29.35 NC7TP	\$29.35 NC8TP	\$29.35 NC9TP	\$29.35 NC10TP	\$21.52 NC11TP

### TOP PLATE "EZ" BAND CLAMP



	3" dia.	4" dia.	5" dia.	5.5" dia.	6" dia.
13" X 13"	\$38.65 NC3TPEZ	\$38.65 NC4TPEZ	\$38.65 NC5TPEZ	\$38.65 NC5.5TPEZ	\$38.65 NC6TPEZ

	7" dia.	8" dia.	9" dia.	10" dia.
13" X 13"	\$38.65 NC7TPEZ	\$38.65 NC8TPEZ	\$43.79 NC9TPEZ	\$43.97 NC10TPEZ

	3" dia.	4" dia.	5" dia.	5.5" dia.	6" dia.	7" dia.
18" X 18"	\$50.75 NC3TPEZ1818	\$50.75 NC4TPEZ1818	\$49.53 NC5TPEZ1818	\$49.53 NC5.5TPEZ1818	\$49.53 NC6TPEZ1818	\$49.53 NC7TPEZ1818

	8" dia.	9" dia.	10" dia.	11" dia.	12" dia.
18" X 18"	\$49.53 NC8TPEZ1818	\$65.39 NC9TPEZ1818	\$65.39 NC10TPEZ1818	\$65.39 NC11TPEZ1818	\$65.39 NC12TPEZ1818

### TOP PLATE "EZ" FLUE FIT

	5" dia.	5.5" dia.	6" dia.
9" X 9"	\$57.04 NC5TPEZFF99	\$57.04 NC5.5TPEZFF99	\$57.04 NC6TPEZFF99
9" X 13"	\$62.17 NC5TPEZFF913	\$62.17 NC5.5TPEZFF913	\$62.17 NC6TPEZFF913
13" X 13"	\$65.77 NC5TPEZFF	\$65.77 NC5.5TPEZFF	\$65.77 NC6TPEZFF



800.722.7230 | ONLINE ORDERING [LINDEMANNCHIMNEYSUPPLY.COM](http://LINDEMANNCHIMNEYSUPPLY.COM)



## SMARTFLEX STORM COLLARS

SmartFlex Storm Collars protect against rain, snow and debris. They are adjustable for various roof pitches and install with sheet metal screws.

3" dia. \$22.70 NC3SC	4" dia. \$22.63 NC4SC	5" dia. \$23.52 NC5SC	5.5" dia. \$25.18 NC5.5SC	6" dia. \$25.18 NC6SC	7" dia. \$26.90 NC7SC	
8" dia. \$29.41 NC8SC	9" dia. \$31.88 NC9SC	10" dia. \$45.39 NC10SC	11" dia. \$51.99 NC11SC	12" dia. \$53.79 NC12SC	13" dia. \$55.43 NC13SC	14" dia. \$63.87 NC14SC

## SMARTFLEX REDUCER-INCREASERS

These SmartFlex Reducer-Increasers are made with 304 stainless steel, and are not crimped - allowing you to choose which end needs crimping for your application.

Reducer-increasers made with 316 stainless steel and three piece tapered design are also available. **Call for ordering!**



PLUG



THREE PIECE TAPERED

PRODUCT NUMBERS BELOW ARE FOR PLUG STYLE.

4" - 3" dia. \$31.88 NC43R/IP	5" - 3" dia. \$40.31 NC53R/IP	5" - 4" dia. \$40.31 NC54R/IP	6" - 3" dia. \$38.62 NC63R/IP	6" - 4" dia. \$37.84 NC64R/IP	6" - 5" dia. \$40.31 NC65R/IP	7" - 3" dia. \$38.62 NC73R/IP	7" - 4" dia. \$38.57 NC74R/IP	7" - 5" dia. \$42.00 NC75R/IP
7" - 6" dia. \$43.63 NC76R/IP	8" - 6" dia. \$43.63 NC86R/IP	8" - 7" dia. \$41.92 NC87R/IP	9" - 7" dia. \$47.06 NC97R/IP	9" - 8" dia. \$45.42 NC98R/IP	10" - 8" dia. \$53.65 NC108R/IP	10" - 9" dia. \$53.65 NC109R/IP		

800.722.7230 | ONLINE ORDERING LINDEMANNCHIMNEYSUPPLY.COM

Prices are subject to change. See our website for the most up to date pricing.

## SMARTFLEX TEES

The SmartFlex Swivel Top Tee has a top liner connection, which spins 360° to allow for easy thimble and tee body alignment during liner installation. The advantage of the swivel feature is that you can spin the tee body from the thimble without having to turn the entire liner from the top of the chimney, saving you valuable time. The Swivel Top Tee comes in 24 gauge, 316 and 304 stainless steel options.



### SWIVEL TOP TEE 316 STAINLESS STEEL

4" dia.	5" dia.	5.5" dia.	6" dia.	7" dia.	8" dia.
\$92.57 NC4FLEXTLST	\$95.60 NC5FLEXTLST	\$102.83 NC5.5FLEXTLST	\$97.37 NC6FLEXTLST	\$114.37 NC7FLEXTLST	\$121.07 NC8FLEXTLST



The Double Take-Off Swivel Tee is made with 24 gauge, 316 stainless steel and designed with two take-offs, giving it the capability to spin 360°. This tee features a standard, 2" between take-offs, and comes with an "EZ" band connection.

### DOUBLE TAKE-OFF SWIVEL TEE 316 STAINLESS STEEL

	5" dia.	5.5" dia.	6" dia.	7" dia.	8" dia.
<b>3" TAKE-OFFS</b>	\$134.12 NC5FLEXTLST/3	\$141.32 NC5.5FLEXTLST/3	\$141.32 NC6FLEXTLST/3	\$174.86 NC7FLEXTLST/3	\$208.46 NC8FLEXTLST/3
<b>4" TAKE-OFFS</b>	\$137.31 NC5FLEXTLST/4	\$157.24 NC5.5FLEXTLST/4	\$144.19 NC6FLEXTLST/4	\$177.40 NC7FLEXTLST/4	\$210.94 NC8FLEXTLST/4



These SmartFlex Two Part Tees are available in 316 or 304 stainless steel, and for use with flex liner (316), or rigid pipe and OD liner (304). The "EZ" band clamp ensures these tees maintain mechanical integrity in extreme heat conditions.

### TWO PART TEE - 316 FOR FLEX LINER

3" dia.	4" dia.	5" dia.	5.5" dia.	6" dia.	
\$76.83 NC3FLEXTL	\$72.21 NC4FLEXTL	\$75.71 NC5FLEXTL	\$82.48 NC5.5FLEXTL	\$82.48 NC6FLEXTL	
7" dia.	8" dia.	9" dia.	10" dia.	11" dia.	12" dia.
\$93.88 NC7FLEXTL	\$100.84 NC8FLEXTL	\$161.16 NC9FLEXTL	\$183.48 NC10FLEXTL	\$214.86 NC11FLEXTL	\$235.25 NC12FLEXTL

### TWO PART TEE - 304 FOR RIGID PIPE & OD LINER

6" dia.	7" dia.	8" dia.
\$57.25 NC6TEE	\$61.32 NC7TEE	\$77.94 NC8TEE





## SMARTFLEX EXTENDED TEE SNOOTS

This SmartFlex Extended Tee Snout is for use with gas, wood, pellet or oil fueled appliances. It's used to increase reach through masonry at the wall thimble.

	5" dia.	6" dia.	7" dia.	8" dia.
<b>18" LENGTH</b>	\$55.46 NC5T18SL	\$63.89 NC6T18SL	\$70.65 NC7T18SL	\$75.56 NC8T18SL
<b>24" LENGTH</b>	\$74.08 NC5T24SL	\$82.14 NC6T24SL	\$94.13 NC7T24SL	\$100.96 NC8T24SL

## SMARTFLEX END CAPS

The SmartFlex End Cap provides a seamless fit, and is resistant to rust and corrosion. The end cap is available in either 316 or 304 stainless steel.

### END CAP 316 STAINLESS STEEL

3" dia.	4" dia.	5" dia.	5.5" dia.	6" dia.	
\$23.54 NC3ECL	\$23.52 NC4ECL	\$28.50 NC5ECL	\$30.16 NC5.5ECL	\$30.16 NC6ECL	
7" dia.	8" dia.	9" dia.	10" dia.	11" dia.	12" dia.
\$32.00 NC7ECL	\$35.23 NC8ECL	\$50.42 NC9ECL	\$52.03 NC10ECL	\$57.22 NC11ECL	\$58.77 NC12ECL



### END CAP 304 STAINLESS STEEL

6" dia.	7" dia.	8" dia.
\$16.73 NC6EC	\$19.35 NC7EC	\$20.15 NC8EC





## SMARTFLEX PRE-INSULATED LINER

SmartFlex Pre-Insulated liner offers you the choice of stainless steel or aluminum outer protection. The aluminum outer liner provides better flexibility and ease of handling, while the stainless steel outer liner offers improved durability. Both are manufactured using the highest quality, 316 stainless steel inner liner and 1/2" insulation wrap. This convenient liner will save you time on installations and is available per foot.

**Add 1" to diameter when ordering SmartFlex Top Plates and Rain Caps for our Pre-Insulated Liner! Pre-insulated liner kits are available, call for pricing.**

### STAINLESS STEEL OUTER (PER FOOT)

3" dia.	4" dia.	5" dia.	5.5" dia.	6" dia.	7" dia.	8" dia.	9" dia.	10" dia.	11" dia.
\$21.69 CBP3ID	\$24.82 CBP4ID	\$27.92 CBP5ID	\$29.11 CBP5.5ID	\$29.48 CBP6ID	\$34.86 CBP7ID	\$40.18 CBP8ID	\$46.45 CBP9ID	\$52.68 CBP10ID	\$58.91 CBP11ID

### ALUMINUM OUTER (PER FOOT)

3" dia.	4" dia.	5" dia.	5.5" dia.	6" dia.	7" dia.	8" dia.	9" dia.	10" dia.	11" dia.
\$16.78 DBP3ID	\$18.32 DBP4ID	\$21.43 DBP5ID	\$21.77 DBP5.5ID	\$21.92 DBP6ID	\$27.71 DBP7ID	\$34.32 DBP8ID	\$41.72 DBP9ID	\$48.77 DBP10ID	\$56.18 DBP11ID

Pre-Insulated Liner Kits Available! Call For More Details!

CHIMNEY LINERS & PIPES



## SMARTFLEX PRE-INSULATED FINISHING RETAINERS

These Finishing Retainers are made from 24 gauge, 304 stainless steel, and used to finish off the end of the liner to protect the insulation from harm. Use the "EZ" band clamp to secure the retainer to the outside of the liner.

3" dia.	4" dia.	5" dia.	5.5" dia.	6" dia.	7" dia.	8" dia.	9" dia.	10" dia.	11" dia.
\$48.84 NC3PIFRL	\$53.67 NC4PIFRL	\$58.85 NC5PIFRL	\$63.97 NC5.5PIFRL	\$63.97 NC6PIFRL	\$69.10 NC7PIFRL	\$73.82 NC8PIFRL	\$78.91 NC9PIFRL	\$79.03 NC10PIFRL	\$89.16 NC11PIFRL

## SMARTFLEX PRE-INSULATED FINISHING PLUGS



SmartFlex Finishing Plugs are made from 24 gauge, 304 stainless steel. This plug is used to complete the chimney termination of our SmartFlex Pre-Insulated liner. The collar with the band on the outside fits over the outer liner while the smaller collar is designed to accept the inner liner. To finish the installation, you can purchase a Top Kit Rain Cap which easily connects to the smaller collar with the same "EZ" band clamp connection.

3" dia.	4" dia.	5" dia.	5.5" dia.	6" dia.	7" dia.	8" dia.	9" dia.	10" dia.	11" dia.
\$55.47	\$60.56	\$65.70	\$70.81	\$70.81	\$75.47	\$81.04	\$85.62	\$90.71	\$95.79
NC3PIFP	NC4PIFP	NC5PIFP	NC5.5PIFP	NC6PIFP	NC7PIFP	NC8PIFP	NC9PIFP	NC10PIFP	NC11PIFP

## SMARTFLEX PRE-INSULATED STOVE ADAPTERS

The SmartFlex Pre-Insulated Stove Adapter is made from 24 gauge, 304 stainless steel and used to connect our SmartFlex Pre-Insulated liner to your wood stove or insert. The Pre-Insulated liner fits fully into the large end of the adapter and the "EZ" band clamp secures the liner in place. The small collar end is crimped to fit inside the appliance's stove collar.



3" dia.	4" dia.	5" dia.	5.5" dia.	6" dia.	7" dia.	8" dia.	9" dia.	10" dia.	11" dia.
\$45.37	\$50.56	\$55.40	\$60.55	\$60.55	\$65.69	\$70.83	\$75.50	\$80.89	\$84.22
NC3PISA	NC4PISA	NC5PISA	NC5.5PISA	NC6PISA	NC7PISA	NC8PISA	NC9PISA	NC10PISA	NC11PISA

## SMARTFLEX PRE-INSULATED COUPLERS



This Pre-Insulated Coupler is made of 24 gauge, 316 stainless steel and is used to join two pieces of our SmartFlex Pre-Insulated Liner together. The "EZ" band clamps on both the female and male ends of the coupler are designed to provide a dripless, secure connection at all times.

3" dia.	4" dia.	5" dia.	5.5" dia.	6" dia.	7" dia.	8" dia.	9" dia.	10" dia.	11" dia.
\$45.47	\$47.14	\$48.84	\$50.51	\$52.21	\$53.90	\$55.53	\$57.25	\$58.91	\$60.62
NC3PICL	NC4PICL	NC5PICL	NC5.5PICL	NC6PICL	NC7PICL	NC8PICL	NC9PICL	NC10PICL	NC11PICL

## SMARTFLEX CO-LINEAR KITS

These SmartFlex Co-Linear Kits are direct vent kits designed for upgrading venting for your gas fueled, co-linear appliances. They can also be used for wood pellet inserts that require an air intake. These kits allow the choice of: low profile co-linear cap and flashing, or high wind co-linear cap and flashing.

The high wind co-linear cap is made with 24 gauge, 304 stainless steel, and is ideal for applications where wind is preventing proper system venting. These kits come with aluminum intakes and stainless steel exhausts measuring 3" / 3" and 3" / 4". The flashing included with these kits measures 13" x 13", with optional 18" x 18" if required.

**Each kit option includes:** aluminum and stainless steel liners, co-linear cap, and "EZ" band clamp to connect the liners to the cap - eliminating the need for screws and rivets.

The Low Profile Co-Linear Kits comes with a lifetime warranty for residential use, a 25-year warranty for commercial use (on all stainless steel parts), and a 25-year warranty for the aluminum air intake liners. The High Wind Co-Linear Kit comes with a transferable, lifetime warranty.

**All warranties valid only if kits are installed/maintained by a chimney professional.**



**LOW PROFILE CO-LINEAR KITS  
STAINLESS STEEL**



**LOW PROFILE CO-LINEAR KITS  
ALUMINUM**

	Intake 3" / Exhaust 3"	Intake 3" / Exhaust 4"
<b>25' KIT</b>	\$398.47 33DVSSBC25	\$405.95 34DVSSBC25
<b>35' KIT</b>	\$479.93 33DVSSBC35	\$486.81 34DVSSBC35

	Intake 3" / Exhaust 3"	Intake 3" / Exhaust 4"
<b>25' KIT</b>	\$249.94 33DVASBC25	\$258.90 34DVASBC25
<b>35' KIT</b>	\$271.13 33DVASBC35	\$282.20 34DVASBC35



**HIGH WIND CO-LINEAR KITS  
STAINLESS STEEL**



**HIGH WIND CO-LINEAR KITS  
ALUMINUM**

	Intake 3" / Exhaust 3"	Intake 3" / Exhaust 4"
<b>25' KIT</b>	\$426.75 33DVSRFC25	\$434.75 34DVSRFC25
<b>35' KIT</b>	\$513.99 33DVSRFC35	\$521.36 34DVSRFC35

	Intake 3" / Exhaust 3"	Intake 3" / Exhaust 4"
<b>25' KIT</b>	\$267.63 33DVARFC25	\$277.27 34DVARFC25
<b>35' KIT</b>	\$288.51 33DVARFC35	\$300.29 34DVARFC35

**800.722.7230 | ONLINE ORDERING LINDEMANNCHIMNEYSUPPLY.COM**

## SMARTFLEX CO-LINEAR CAPS

Sleek and unique, the SmartFlex Co-Linear Caps are manufactured using the highest quality, mill certified, 24 gauge, 304 stainless steel. They are also available in commercial grade aluminum. These caps come with a 3" air intake, and 3" or 4" exhaust making them ideal for ventilating gas fueled appliances. Each of these cap options come standard with 13" x 13" flashing (18" x 18"

flashing available), choice of stainless steel or aluminum construction, and a fifteen-year warranty for aluminum.

Choose between the stainless steel or aluminum Low Profile Co-Linear Caps for regular use, or the stainless steel High Wind Co-Linear Cap for windy conditions.

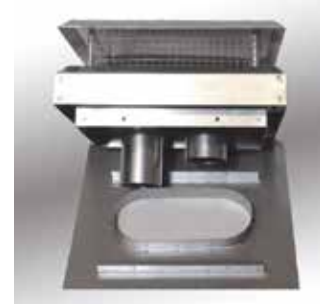
### LOW PROFILE CO-LINEAR CAP STAINLESS STEEL

	Intake 3"/ Exhaust 3"	Intake 3"/ Exhaust 4"
13" X 13"	\$195.41 33SBCSS1313	\$182.54 34SBCSS1313
18" X 18"	\$198.07 33SBCSS1818	\$198.07 34SBCSS1818



### LOW PROFILE CO-LINEAR CAP ALUMINUM

	Intake 3"/ Exhaust 3"	Intake 3"/ Exhaust 4"
13" X 13"	\$107.47 33SBCAL1313	\$107.47 34SBCAL1313
18" X 18"	\$110.60 33SBCAL1818	\$83.92 34SBCAL1818



### HIGH WIND CO-LINEAR CAP STAINLESS STEEL

	Intake 3"/ Exhaust 3"	Intake 3"/ Exhaust 4"
13.5" DIA.	\$211.62 33RFC13.5	\$201.56 34RFC13.5
15.5" DIA.	\$227.37 33RFC15.5	\$216.57 34RFC15.5
18.5" DIA.	\$241.15 33RFC18.5	\$229.68 34RFC18.5



## SMARTFLEX ALUMINUM LINER



This SmartFlex Aluminum Liner can be used to vent low-efficiency, category 1 gas appliances with an Annual Fuel Utilization Efficiency (AFUE) rating of 83% or lower. By relining the chimney with this aluminum liner, you can reduce condensation problems, and improve the performance of gas fueled

appliances. SmartFlex Aluminum liner is UL listed to UL441, ULC-S635 and comes with a fifteen-year transferable warranty, valid only if installed/maintained by a chimney professional.

**Use SmartFlex Aluminum Liner for gas fueled appliances, and water heater venting!**

Aluminum Collars & Connectors Available on pages 9 - 11

	3" dia.	4" dia.	5" dia.	5.5" dia.	6" dia.	7" dia.	8" dia.
25' LENGTH	\$56.98 DB325	\$76.02 DB425	\$95.00 DB525	\$108.60 DB5.525	\$114.03 DB625	\$133.00 DB725	\$152.02 DB825
35' LENGTH	\$79.84 DB335	\$106.41 DB435	\$133.00 DB535	\$152.02 DB5.535	\$159.79 DB635	\$186.22 DB735	\$212.83 DB835
50' LENGTH	\$114.03 DB350	\$152.02 DB450	\$190.02 DB550	\$217.17 DB5.550	\$228.03 DB650	\$266.05 DB750	\$304.02 DB850



## SMARTFLEX ALUMINUM LINER KITS

The SmartFlex Aluminum Liner Kits include all the benefits and applications of our aluminum liner, in the form of a convenient kit packaged to complete any gas appliance installation job. These kits include: UL listed and tested aluminum liner, aluminum mortar collar, aluminum top plate, aluminum cap and

installation instructions. All SmartFlex Aluminum Liner Kits have a fifteen-year warranty, valid only if installed/maintained by a chimney professional.

**Use SmartFlex Aluminum Liner Kits for gas fueled appliances, and water heater venting!**

	3" dia.	4" dia.	5" dia.	5.5" dia.	6" dia.	7" dia.	8" dia.
25' LENGTH	\$95.71 DB325KIT	\$101.95 DB425KIT	\$149.57 DB525KIT	\$162.59 DB5.525KIT	\$175.64 DB625KIT	\$213.03 DB725KIT	\$243.21 DB825KIT
35' LENGTH	\$117.59 DB335KIT	\$124.48 DB435KIT	\$184.24 DB535KIT	\$194.43 DB5.535KIT	\$204.64 DB635KIT	\$265.22 DB735KIT	\$308.38 DB835KIT
10' EXTENSION	\$37.52 DB310EXT	\$45.02 DB410EXT	\$58.05 DB510EXT	\$62.48 DB5.510EXT	\$65.76 DB610EXT	\$73.17 DB710EXT	\$83.17 DB810EXT

## Z-FLEX ALUMINUM LINER



This Z-Flex Aluminum Liner can be used to vent low-efficiency, category 1 gas appliances with an Annual Fuel Utilization Efficiency (AFUE) rating of 83% or lower. By relining the chimney with this aluminum liner, you can reduce condensation problems, and improve the performance of gas fueled appliances. Z-Flex Aluminum liner is UL listed to UL441, ULC-S635 and comes with a fifteen-year transferable warranty, valid only if installed/maintained by a chimney professional.

**Use Z-Flex Aluminum Liner for gas fueled appliances, and water heater venting!**



### Z-FLEX ALUMINUM LINER

	3" dia.	4" dia.
<b>25' LENGTH</b>	\$55.72 <b>ZFA325</b>	\$65.89 <b>ZFA425</b>
<b>35' LENGTH</b>	\$78.00 <b>ZFA335</b>	-
<b>50' LENGTH</b>	\$111.44 <b>ZFA350</b>	\$131.76 <b>ZFA450</b>



**Use Z-Flex Aluminum Liner Kits for gas fueled appliances, and water heater venting!**

### Z-FLEX ALUMINUM LINER KITS

The Z-Flex Aluminum Liner Kits include all the benefits and applications of our aluminum liner, in the form of a convenient kit packaged to complete any gas appliance installation job. These kits include: UL listed and tested aluminum liner, aluminum mortar collar, aluminum top plate, aluminum cap and installation instructions. All Z-Flex Aluminum Liner Kits have a fifteen-year warranty, valid only if installed/maintained by a chimney professional.

### Z-FLEX ALUMINUM LINER KITS

	3" dia.	4" dia.	5" dia.	5.5" dia.	6" dia.	7" dia.	8" dia.
<b>25' LENGTH</b>	\$82.96 <b>ZFA325KIT</b>	\$88.36 <b>ZFA425KIT</b>	\$129.65 <b>ZFA525KIT</b>	\$140.94 <b>ZFA5.525KIT</b>	\$152.25 <b>ZFA625KIT</b>	\$184.66 <b>ZFA725KIT</b>	- <b>ZFA825KIT</b>
<b>35' LENGTH</b>	\$101.92 <b>ZFA335KIT</b>	\$107.91 <b>ZFA435KIT</b>	\$159.71 <b>ZFA525KIT</b>	\$168.56 <b>ZFA5.535KIT</b>	\$177.37 <b>ZFA635KIT</b>	\$229.89 <b>ZFA735KIT</b>	\$267.3 <b>ZFA835KIT</b>

### Z-FLEX M/M ALUMINUM COUPLER

3" dia.	4" dia.	5" dia.	5.5" dia.	6" dia.	7" dia.	8" dia.
\$8.16 <b>ZFA3CAL</b>	\$8.70 <b>ZFA4CAL</b>	\$9.78 <b>ZFA5CAL</b>	\$10.33 <b>ZFA5.5CAL</b>	\$10.33 <b>ZFA6CAL</b>	\$10.86 <b>ZFA7CAL</b>	\$11.40 <b>ZFA8CAL</b>

**800.722.7230 | ONLINE ORDERING LINDEMANNCHIMNEYSUPPLY.COM**

Prices are subject to change. See our website for the most up to date pricing.

# EXPERIENCE

THE LINDEMANN DIFFERENCE

BETTER PRICING & BETTER PEOPLE

IN STOCK & READY TO SHIP



## TRUCK ESSENTIALS

SAFEFLEX™

CHAMBER SAFE™

CROWN SAFE™

TOP DAMPER™

ENERGY TOP™

SEAL TIGHT™

# ORDER ONLINE & SAVE!

FEEDING YOUR FIRE, FUELING YOUR GROWTH  
[LINDEMANNCHIMNEYSUPPLY.COM](http://LINDEMANNCHIMNEYSUPPLY.COM)



### JEREMIAS CHIMNEY PIPE

#### Jeremias Stainless Steel Chimney Pipe

combines premium materials and an installation friendly design to create the highest quality chimney system in the marketplace. The unique pipe construction, and high temperature blanket insulation create a design which prevents: heat bridges, hot spots, and insulation voids. Jeremias is the only venting in the industry that can be field cut to length to the exact specifications for your installation without voiding UL or warranty!

- **No Heat Bridge & No Hot Spots**
- **Field Cut To Length**
- **Best Grades of Stainless Steel: 444/316L Inner & 304 Outer with TIG Welded Seams**
- **UL Listed to UL 103 HT & ULC-S604**
- **For Wood, Coal, Oil & Category I Gas Appliances**
- **Allowable 2" Clearance to Combustibles**
- **OD 2" Larger Than ID**
- **Stainless Steel Brackets & Supports**
- **Features Twenty-Five Year Warranty**



SCAN THE QR CODE TO SEE HOW TO CUT JEREMIAS PIPES.



LENGTH	6" dia.	8" dia.
6" LENGTH	\$76.93 330606	\$106.62 330608
12" LENGTH	\$87.84 331206	\$160.53 331208
18" LENGTH	\$115.10 331806	\$165.38 331808
24" LENGTH	\$163.56 332406	\$216.87 332408
36" LENGTH	\$217.47 333606	\$337.41 333608
48" LENGTH	\$278.65 334806	\$383.45 334808

CHIMNEY LINERS & PIPES

### JEREMIAS CHIMNEY ADAPTER

	6" dia.	8" dia.
CHIMNEY ADAPTER - 6" LENGTH	\$38.46 339996	\$51.27 339998



334506



### JEREMIAS ANCHOR PLATES

Jeremias Anchor Plates are stainless steel, and connect directly to a masonry fireplace or a factory-built fireplace that's been listed to use with Jeremias.

	6" dia.	8" dia.
	\$69.66 334506	\$109.64 334508

800.722.7230 | ONLINE ORDERING [LINDEMANNCHIMNEYSUPPLY.COM](http://LINDEMANNCHIMNEYSUPPLY.COM)

**JEREMIAS TEES & TEE SUPPORTS**

**TEES & CAP**

Use these Tees & Caps for through-the-wall installations of Jeremias Chimney Pipe. It's stainless steel, one-piece design enhances drafting, and includes an easy-to-remove tee cap.

**6" dia.**  
**\$317.31**  
**333906**

**8" dia.**  
**\$432.69**  
**333908**



333906



334006



334016



**TEE SUPPORTS**

Use these Adjustable Tee Supports for up to 52' of Jeremias Chimney Pipe. These brackets adjust to provide 2" - 6" of clearance to combustibles, and include a length of insulated chimney pipe. The support can be installed either above or below the tee.

**6" dia.**  
**\$232.69**  
**334006**

**6/8" dia. Extended\***  
**\$159.92**  
**334016**

**8" dia.**  
**\$282.69**  
**334008**

\*Adjustable 2" - 14" from wall

**REAR CLEANOUT TEES & CAPS**

Use these Rear Cleanout Tees & Caps for through-the-wall installations of Jeremias Chimney Pipe. It's stainless steel, one-piece design enhances drafting, and includes an easy-to-remove tee cap as well as rear clean out access!

**6" dia.**  
**\$528.85**  
**333916**

**8" dia.**  
**\$565.88**  
**333918**



333916



## JEREMIAS ELBOW KITS

These Jeremias Elbow Kits are stainless steel, feature locking band design, and are ideal when navigating pipe around obstructions, and offsets. These elbow kits include two (2) elbows and one (1) elbow strap.

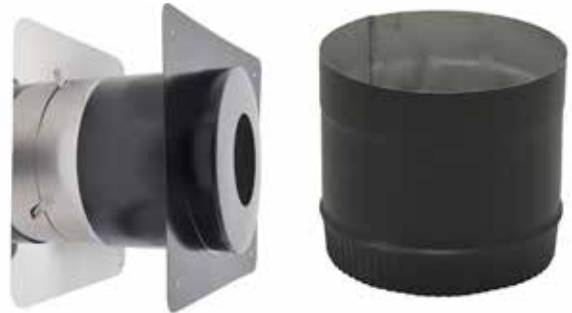
	6" dia.	8" dia.
<b>15 DEGREE</b>	<b>\$433.13</b> 331506	<b>\$514.30</b> 331508
<b>30 DEGREE</b>	<b>\$596.15</b> 333006	<b>\$617.88</b> 333008

CHIMNEY LINERS & PIPES

## JEREMIAS WALL THIMBLES

Provides shielding and a finished look where HT Chimney passes through a wall. Thimble adjusts to accommodate wall up to 20" thick. Interior Cylinder and Trim Plate are Black powder coat.

## SAMPLE OF A SINGLE WALL ADAPTER



6" dia.	8" dia.
<b>\$144.23</b> 336306	<b>\$174.42</b> 336308

## JEREMIAS CEILING SUPPORTS

Jeremias Round and Square Ceiling Supports provide support for up to 44' of Jeremias chimney pipe where a through-the-ceiling installation is required, and can be used on flat or sloped ceilings with an adjustable trim plate for various pitches. Round Ceiling Supports are stainless steel, while Square Ceiling Supports feature a powder coated black finish. Finish off the installation with a decorative, high quality finished Trim Collar.

### ROUND CEILING SUPPORTS



6" dia.	8" dia.
<b>\$186.54</b> 331306	<b>\$203.65</b> 331308

800.722.7230 | ONLINE ORDERING [LINDEMANNCHIMNEYSUPPLY.COM](http://LINDEMANNCHIMNEYSUPPLY.COM)

**SQUARE CEILING SUPPORTS**

	6" dia.	8" dia.
<b>36" HIGH</b>	<b>\$221.11</b> 334406	<b>\$235.04</b> 334408

Square ceiling support provides vertical support and a finished look where the Chimney passes through a ceiling. Supports 44 ft. of chimney stack. The trim plate is adjustable to work on both flat and pitched ceilings, height is 36". The Square support box and trim plates are black powder coat.



**STOVE BRIGHT PAINT**

Stove Bright paint is used if a component needs touch up.

	1-11	12+
<b>SATIN BLACK</b>	<b>\$14.24</b> 406990	<b>\$10.69</b> 406990

**JEREMIAS WALL BRACKETS**



**ADJUSTABLE WALL BRACKETS**  
ADJUSTS 2" - 6" FROM WALL

6" dia.	8" dia.
<b>\$70.88</b> 330806	<b>\$80.58</b> 330808

**EXTENDED WALL BRACKETS**  
ADJUSTS 2" - 14" FROM WALL

6" dia.	8" dia.
<b>\$134.62</b> 330816	<b>\$134.62</b> 330818

Use these stainless steel Jeremias Wall Brackets for interior or exterior installations to add support for Jeremias pipe runs! These brackets are designed to provide either 2" - 3" clearance or 2" - 14" to combustible walls.



## JEREMIAS SHIELDS

The Jeremias Attic Insulation Shield is stainless steel, extends 14" - 21", and is required for installations when Jeremias passes through an attic. It prevents insulation accumulating near the chimney pipe system.

The Radiation Shield is stainless steel, and required for ceiling/floor penetrations when a ceiling support is not used, but is not required for passing through a roof. Height of 12".



**ATTIC INSULATION SHIELD**

6" dia.	8" dia.
\$88.44 336206	\$116.31 336208



**RADIATION SHIELD**

6" dia.	8" dia.
\$65.42 337406	\$80.57 337408

## JEREMIAS FLASHING & STORM COLLARS



**FLASHING**

	6" dia.	8" dia.
<b>FLAT FLASHING</b>	\$214.19 330006	\$271.46 330008
<b>0/12 TO 6/12</b>	\$174.33 337006	\$236.60 337008
<b>7/12 TO 12/12</b>	\$224.15 337106	\$276.44 337108

Roof Flashings come in a variety of styles to accommodate any roof slope and are stainless steel. Flashings are used to seal the opening where the chimney penetrates the roof to divert rain and snow down from the roof and away from the chimney system. Jeremias Storm Collars are stainless and required on flashing installations.



**STORM COLLAR**

6" DIA.	8" DIA.
\$38.46 338006	\$44.62 338008

800.722.7230 | ONLINE ORDERING [LINDEMANNCHIMNEYSUPPLY.COM](http://LINDEMANNCHIMNEYSUPPLY.COM)

**JEREMIAS ROOF SUPPORTS AND BRACKETS**

The Roof Support provides vertical support for the chimney both above and suspended below the Roof Support. It may also be used to provide supplemental support when the total chimney height exceeds the capacity of the primary support. Will support up to 12' of chimney as a stand alone support. For supporting the chimney system from the exterior roof. Supports 12 ft. of chimney stack.



**ROOF SUPPORTS**

<b>6" dia.</b>	<b>8" dia.</b>
<b>\$80.57</b>	<b>\$80.56</b>
<b>331906</b>	<b>331908</b>

The Telescopic Roof Brace provides lateral support for the chimney that extends above the roof line. A TRB must be installed for every 5 ft. of vertical chimney above the roof surface. No more than 5' of chimney may extend beyond the roof brace. Are these braces or brackets?



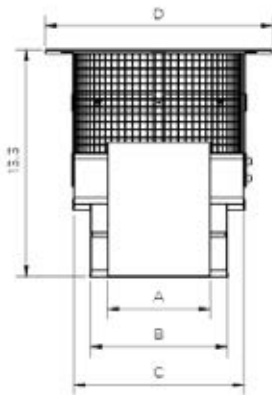
**TELESCOPIC ROOF BRACKETS**

<b>6" dia.</b>	<b>8" dia.</b>
<b>\$232.69</b>	<b>\$232.69</b>
<b>332606</b>	<b>332608</b>

CHIMNEY LINERS & PIPES



**CROWN CAP**



**JEREMIAS CAPS & SCREENS**

The Crown Cap terminates the HT Chimney system and prevents rain from entering the HT Chimney system. Removable top allowing access to the chimney system for cleaning and inspection. Comes with a removable spark arrestor installed.

<b>6" dia.</b>	<b>8" dia.</b>
<b>\$137.50</b>	<b>\$165.38</b>
<b>339906</b>	<b>339908</b>

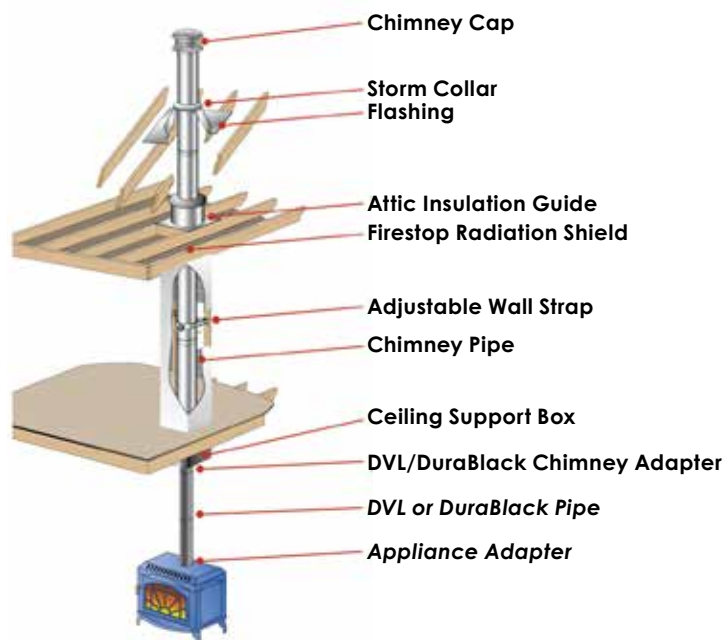
## DURATECH CHIMNEY PIPES

### REFER TO OUR TYPICAL INSTALLATION DRAWINGS TO SELECT THE APPROPRIATE COMPONENT PARTS FOR YOUR INSTALLATION

- DVL/DuraBlack Chimney Adapter must be used when connecting DVL pipe to a Ceiling Support Box or Finishing Collar. When connecting DuraBlack pipe, a DVL/DuraBlack Chimney Adapter, Durablack Slip Connector, or Snap-Lock Adapter must be used.
- Wall Thimble must be installed with an appropriate length of chimney pipe for all horizontal through-the-wall installations. To accommodate thicker walls, the telescoping pieces of the Wall Thimble can be separated and a field-fabricated extension may be installed.
- Attic Insulation Shield must be used in all installations that pass through an attic, regardless of whether the attic is insulated or not.
- Firestop Radiation Shield must be used when a chimney passes through a floor or ceiling without a support box.

### DURATECH INSTALLATION KEY

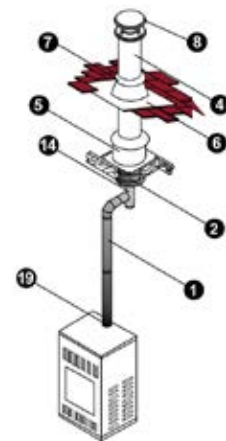
1	Stove Pipe	11	Tee with Tee Cap
2	Ceiling Support Box	12	Tee Support
3	Wall Thimble	13	Chase Top Flashing
4	Chimney Pipe	14	Base Tee/Double Tee
5	Attic Insulation Shield	15	Anchor Plate or Anchor Plate with Damper
6	Flashing	16	Roof Support
7	Storm Collar	17	Finishing Collar
8	Chimney Cap	18	DVL Adapter, DuraBlack Slip Connector, or Snap-Lock Adapter
9	Elbow	19	Stove Adapter
10	Elbow Strap		



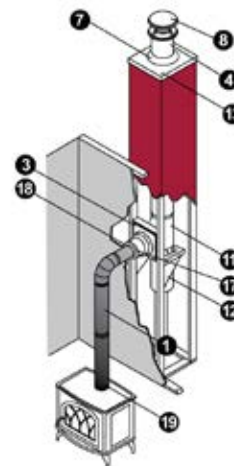
### TYPICAL INSTALLATIONS FOR 5" - 24" DURATECH



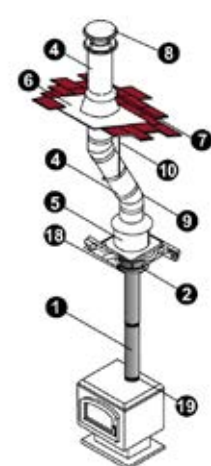
Cathedral Ceiling



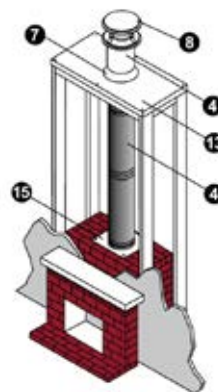
Oil Furnace



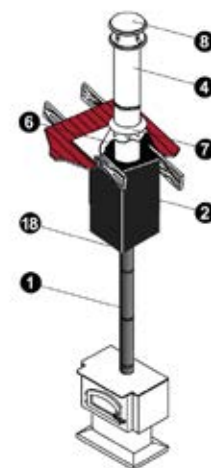
Through-The-Wall



Attic Offset



Fireplace  
(New or retrofit)



Cathedral Ceiling  
w/ Support Box

## DURATECH CHIMNEY PIPES



DuraTech Chimney Lengths are constructed with a .020" thick, 430 stainless steel inner wall, and .016" stainless steel or .021" galvalume outer wall. DuraTech's inner wall is 25% thicker than leading competitors and is designed for wood, oil, coal or gas fueled appliances. These chimney lengths are designed for normal, continual operating temperatures of 1000° F, but can withstand rigorous, high-temperature fires at one-hour increments reaching 1400° F. These chimney lengths are c-UL-us listed to UL 103 HT and ULC-S604, and come with a limited lifetime warranty.

DuraTech Chimney Lengths feature a thermal tech blanket insulation, which is encased between its dual walls, optimizing both safety and performance. This insulation keeps the outer wall of the chimney length cool from the high flue gas temperatures, allowing for maximum draft performance.

**Requires 2" clearance to combustibles. Additional product information, technical specifications, and more sizes available on our website!**

### DURATECH ADJUSTABLE PIPE STAINLESS STEEL

	6" dia.	8" dia.
14" - 21" LENGTH	\$289.94 282106	\$326.18 282108

### DURATECH CHIMNEY PIPE STAINLESS STEEL

	6" dia.	7" dia.	8" dia.	10" dia.	12" dia.
6" LENGTH	\$84.82 280606	\$181.60 280607	\$137.50 280608	-	-
9" LENGTH	\$90.68 280906	\$128.73 280907	\$149.08 280908	-	-
12" LENGTH	\$96.53 281206	\$141.39 281207	\$172.58 281208	\$215.74 281210	\$261.94 281212
18" LENGTH	\$131.65 281806	\$159.92 281807	\$188.18 281808	\$399.52 281810	\$327.61 281812
24" LENGTH	\$172.95 282406	\$190.27 282407	\$220.00 282408	\$351.60 282410	\$415.52 282412
36" LENGTH	\$230.60 283606	\$296.92 283607	\$347.82 283608	\$495.42 283610	\$591.31 283612
48" LENGTH	\$297.02 284806	\$337.23 284807	\$395.85 284808	-	-



## DURATECH CHIMNEY PIPES

### DURATECH CHIMNEY PIPES GALVANIZED

	6" dia.	7" dia.	8" dia.	10" dia.
6" LENGTH	\$65.32 280616	\$127.11 280617	\$75.06 280618	\$183.79 280610GA
9" LENGTH	\$80.94 280916	\$174.61 280917	\$94.56 280918	- -
12" LENGTH	\$95.56 281216	\$111.15 281217	\$114.08 281218	\$202.97 281210GA
18" LENGTH	\$120.90 281816	\$192.06 281817	\$143.32 281818	\$247.71 281810GA
24" LENGTH	\$150.85 282416	\$189.90 282417	\$182.56 282418	\$335.61 282410GA
36" LENGTH	\$197.94 283616	\$266.08 283617	\$262.32 283618	\$447.48 283610GA
48" LENGTH	\$271.88 284816	\$305.74 284817	\$301.66 284818	- -



CHIMNEY LINERS & PIPES

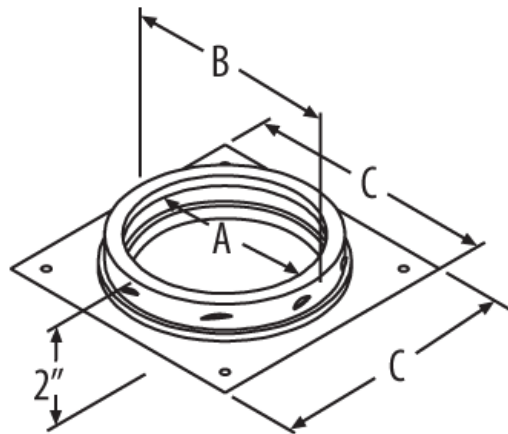
## DURATECH ANCHOR PLATES



DuraTech Anchor Plates connect directly to a masonry fireplace or a factory-built fireplace that's been listed for use with DuraTech. The plate is galvanized and features a stainless steel, DuraTech twist-lock starter piece. Remember to always check local codes for specifications before installing anchor plates for any chimney system.

6" dia.	7" dia.	8" dia.	10" dia.	12" dia.
\$79.95 284506	\$100.42 284507	\$112.13 284508	\$124.66 284510	\$135.84 284512

Looking for Single or Double Wall Stove Pipe?  
Find these products on pages 66 - 72!



### MEASURING GUIDELINES

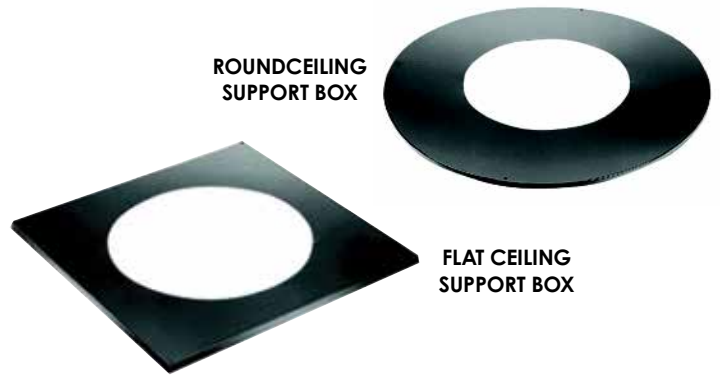
SIZE	6"	7"	8"	10"	12"
A	6"	7"	8"	10"	12"
B	8"	9"	10"	12 1/16"	14 1/16"
C	10"	11"	12"	14"	18"

800.722.7230 | ONLINE ORDERING [LINDEMANNCHIMNEYSUPPLY.COM](http://LINDEMANNCHIMNEYSUPPLY.COM)

## DURATECH CEILING & ROOF SUPPORTS

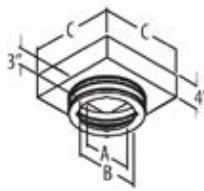
These DuraTech Flat & Round Ceiling Support Boxes are designed to provide a positive connection between the support box and DuraTech chimney pipe with a built-in twist-lock feature. Both of these support boxes have the capacity to support up to 60' of chimney pipe. The Flat Ceiling Support Box is unpainted, sits 4" high, and includes a 2" wide trim collar. The Round Ceiling Support Box is painted black, sits 6" high, and requires trim collar purchase.

The Flat Ceiling Support Box may be painted with our Stove Bright, High-Temperature, Stove Paint (406304).



**MEASURING GUIDELINES**

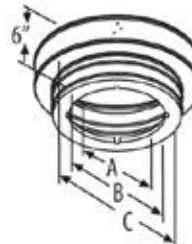
**FLAT CEILING SUPPORT BOX**



	6"	7"	8"
A	7 1/4"	8 1/4"	9 1/4"
B	9"	11"	11"
C	12"	13"	14 1/4"

**MEASURING GUIDELINES**

**ROUND CEILING SUPPORT BOX**



	6"	7"	8"	10"	12"
A	6 1/4"	7 1/4"	8 1/4"	10 5/6"	12 5/6"
B	9"	11"	11"	14"	16"
C	12"	13"	14"	16"	18"

### FLAT CEILING SUPPORT BOX

6" dia.	7" dia.	8" dia.
\$131.63 284606	\$166.38 284607	\$119.27 284608



2" TRIM COLLAR INCLUDED,  
SUPPORTS 60'

### ROUND CEILING SUPPORT BOX

6" dia.	7" dia.	8" dia.	10" dia.	12" dia.
\$88.85 284206	\$253.87 284207	\$142.81 284208	\$604.10 284210	\$998.77 284212



TRIM COLLAR SOLD SEPARATELY, SUPPORTS 60'

## DURATECH COLLARS

Finishing Collars with Adapters fit into the female end of DuraTech chimney pipe to provide a decorative black finish. These finishing collars are ideal when used on chimney pipe that is suspended with a roof support system, or on pipe that is passing through a wall thimble.

These Trim Collars for Round Support Boxes conceal the gap between the Round Ceiling Support Box and the ceiling cutout for DuraTech chimney pipe. These collars have either round or square options, and come painted black.



### FINISHING COLLAR & ADAPTER

6" dia.	7" dia.	8" dia.	10" dia.
\$59.71 289996	\$83.53 289997	\$69.08 289998	\$199.76 289911

### TRIM COLLAR FOR ROUND SUPPORT BOX

	5" - 6"	7" - 8"	10" dia.	12" dia.
ROUND	\$61.40 284216	\$55.35 284217	-	-
SQUARE	\$58.48 284226	\$51.97 284227	\$60.73 284310	\$65.52 284312

800.722.7230 | ONLINE ORDERING LINDEMANNCHIMNEYSUPPLY.COM

Prices are subject to change. See our website for the most up to date pricing.



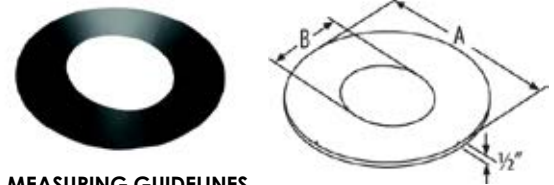
## DURATECH ADJUSTABLE ROOF SUPPORTS

The Adjustable Roof Support can adjust to multiple roof pitches, and is designed to support DuraTech chimney pipe when it passes through a roof and extends down from the ceiling. This is the ideal roof support when dealing with cathedral style ceilings, and free-standing appliance installations. It supports up to 45' of chimney pipe above, and as much as 20' of chimney pipe below the support. Trim for this roof support must be ordered separately.

5" & 7"	6" & 8"
<b>\$94.44</b> 281605	<b>\$94.42</b> 281609

## DURATECH TRIM COLLARS FOR ROOF SUPPORTS

These Trim Collars for Roof Supports conceal the gap between the DuraTech chimney pipe and ceiling cut-out when a roof support is being utilized. These trim collars are made with galvalume, and come painted black. Although they adjust slightly for different roof pitches, be sure to choose the Trim Collar for Roof Support that correctly matches your ceiling slope.



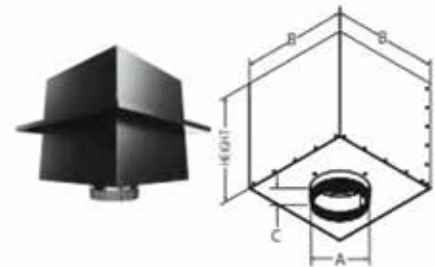
MEASURING GUIDELINES

	6"	7"	8"
<b>0/12 - 3/12</b>			
A	18"	20"	20"
B	8 1/4"	9 1/4"	10 1/4"
<b>4/12 - 6/12</b>			
A	18"	20"	20"
B	8 5/16"	10 1/16"	11 1/8"
<b>7/12 - 9/12</b>			
A	18"	20"	20"
B	10"	11 1/4"	12 1/2"
<b>10/12 - 12/12</b>			
A	18"	20"	20"
B	11 5/6"	12 3/4"	14 1/8"

	6" dia.	7" dia.	8" dia.
<b>0/12 TO 3/12</b>	<b>\$77.00</b> 280206	<b>\$78.00</b> 280207	<b>\$78.97</b> 280208
<b>4/12 TO 6/12</b>	<b>\$77.00</b> 280306	<b>\$78.00</b> 280307	<b>\$78.97</b> 280308
<b>7/12 TO 9/12</b>	<b>\$77.00</b> 280406	<b>\$78.00</b> 280407	<b>\$78.97</b> 280408
<b>10/12 TO 12/12</b>	<b>\$77.00</b> 280506	<b>\$78.00</b> 280507	<b>\$78.97</b> 280508

## SQUARE CEILING SUPPORT BOX

Supports chimney pipe and provides a positive connection between support box and chimney with a built-in twist-lock. Suitable for both flat and cathedral (A-Frame) ceiling applications. Also use in short attic spaces (see instructions). Fits between standard 16" on-center joists and most manufactured home applications. Support Box includes Integrated Starter-Coupler, Integrated Flue Extension, and 2-piece Black Ceiling Trim. Integrated Flue Extension accepts either single-wall or double wall stovepipe.



SQUARE CEILING SUPPORT BOX

	5" dia.	6" dia.	7" dia.	8" dia.
<b>11" HIGH</b>	<b>\$187.71</b> 284105	<b>\$194.02</b> 284106	<b>\$202.74</b> 284107	<b>\$185.73</b> 284108
<b>24" HIGH</b>		<b>\$215.23</b> 284306	<b>\$285.61</b> 284307	<b>\$236.44</b> 284308
<b>36" HIGH</b>		<b>\$207.90</b> 284406	<b>\$380.44</b> 284407	<b>\$230.05</b> 284408

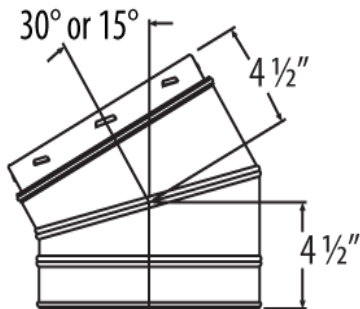
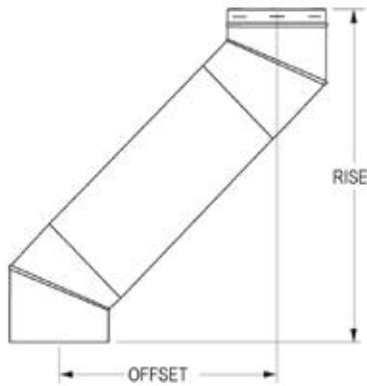
SIZE	5"	6"	7"	8"
<b>A</b>	5"	6"	7"	8"
<b>B</b>	11"	12"	13"	14 1/4"
<b>C</b>	1 3/4"	1 3/4"	1 3/4"	1 3/4"

## DURATECH OFFSET ELBOW KITS



These Offset Elbow Kits for DuraTech chimney pipe are ideal when navigating pipe around obstructions such as rafters, ridgepoles, or joists. These kits provide you with a 16" L x 2" W elbow strap, and two elbows: one for the offset, and one for the return to vertical. These elbows also feature a 360° swivel base

used to line up your chimney pipe directionally (angles not adjustable). These Offset Elbow Kits are available in either stainless steel or galvanized, and not available for 10" pipe and above. For 10" - 12" DuraTech chimney pipe and above, elbows and elbow straps will need to be purchased individually.



\*Note: A few more options are available for 6", 7" & 8". Feel free to call us or check out our website at [www.lindemannsupply.com](http://www.lindemannsupply.com)



### OFFSET ELBOW KIT STAINLESS STEEL

	6" dia.	7" dia.	8" dia.
15 DEGREE	\$463.06 281506	\$549.66 281507	\$603.13 281508
30 DEGREE	\$617.37 283006	\$693.56 283007	\$744.15 283008

SIZE		6", 7" & 8" *		SIZE		10" & 12"	
ELBOW ANGLE FROM VERTICAL	CHIMNEY LENGTH BETWEEN ELBOWS	OFFSET INCHES	RISE INCHES	CHIMNEY LENGTH BETWEEN ELBOWS	OFFSET INCHES	RISE INCHES	
15°	0"	2"	16 1/2"	0"	2 1/4"	21 1/4"	
15°	6"	3 1/4"	21 1/4"	6"	4 1/4"	27 1/4"	
15°	9"	4"	24 1/8"	9"	5"	30 1/4"	
15°	12"	4 3/4"	27"	12"	5 3/4"	33 1/4"	
15°	18"	6 1/4"	32 3/4"	18"	7 1/4"	39"	
15°	24"	8"	38 1/2"	24"	9"	44 3/4"	
15°	36"	11"	50 1/4"	36"	12"	56 1/4"	
15°	48"	14 1/4"	61 3/4"	24" + 24"	14 3/4"	66 3/4"	
30°	0"	4"	15 3/4"	0"	6 1/4"	23 3/4"	
30°	6"	6 1/4"	20"	6"	8 3/4"	27 3/4"	
30°	9"	7 3/4"	22 5/8"	9"	10 1/4"	30 1/4"	
30°	12"	9 1/4"	25 1/4"	12"	11 3/4"	33"	
30°	18"	12 1/4"	30 1/4"	18"	14 3/4"	38 1/4"	
30°	24"	15 1/4"	35 1/2"	24"	17 3/4"	43 1/4"	
30°	36"	21 1/4"	46"	36"	23 3/4"	53 3/4"	
30°	48"	27 1/4"	56 1/4"	24" + 24"	29"	63"	

### OFFSET ELBOW KIT GALVANIZED

	6" dia.	7" dia.	8" dia.
15 DEGREE	\$377.92 281516	\$461.47 281517	\$475.39 281518
30 DEGREE	\$448.66 283016	\$505.97 283017	\$542.31 283018

### OFFSET ELBOW STAINLESS STEEL

	10" dia.	12" dia.
30 DEGREE	\$817.19 283010	\$998.79 283012

### OFFSET DURA-TECH CHIMNEY GALVANIZED

	10" dia.
10" X 30" DEGREE	\$399.53 283010GA

## DURATECH FLASHINGS & STORM COLLARS

This Roof Flashing is made with galvalume, and used to weather-proof DuraTech chimney pipe that extends through the roof. Select the appropriate roof flashing based on the roof pitch, and purchase a required Storm Collar when installing. The Storm Collar seals along the inner edge to the chimney pipe using high-temperature sealant. We also offer Dead Soft Aluminum (DSA) Roof Flashing designed for metal or tile roofs.

The Chase Top Flashing is made with galvalume, and encloses the top of the chase while providing a venting air passage. This product is UL listed, includes spacer clips, and requires a Storm Collar when installing.

This Snow Splitter is constructed with paintable, galvanized material and designed to withstand heavy snow loads, diverting snow around chimney, vent and roof flashing. This product features a bendable attachment flange that allows it to mount on any roof slope, and works with 6" - 10" chimney pipe.



### ROOF FLASHING

	6" dia.	7" dia.	8" dia.	10" dia.	12" dia.
0/12 TO 6/12	\$102.35 287006	\$117.02 287007	\$141.74 287008	\$182.19 287010	\$191.77 287012
7/12 TO 12/12	\$132.61 287106	\$153.11 287107	\$165.770 287108	-	-
13/12 TO 18/12	\$196.98 287206	\$226.23 287207	\$285.69 287208	-	-
19/12 TO 24/12	\$268.16 287306	\$304.24 287307	\$500.02 287308	-	-

### SNOW SPLITTER

\$149.90  
280100

### FLASHINGS

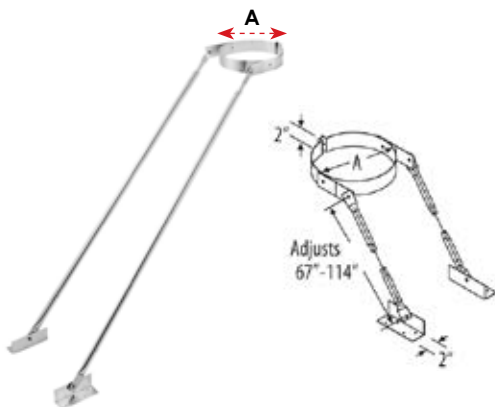
		6"	7"	8"	10"	11"
0/12 - 6/12	A	8 1/2"	9 1/2"	10 1/2"	12 1/2"	4 1/2"
	B	20"	21"	22"	32"	34"
	C	27"	28"	29"	30"	32"
7/12 - 12/12	A	8 1/2"	9 1/2"	10 1/2"	N/A	N/A
	B	20"	21"	22"	N/A	N/A
	C	30"	31"	33"	N/A	N/A
13/12 - 18/12	A	8 1/2"	9 1/2"	10 1/2"	N/A	N/A
	B	20"	21"	22"	N/A	N/A
	C	34"	36"	38"	N/A	N/A
19/12 - 24/12	A	8 1/2"	9 1/2"	10 1/2"	N/A	N/A
	B	20"	21"	22"	N/A	N/A
	C	30"	31"	32"	N/A	N/A
CHASE TOP OD		19 3/4"	20 3/4"	21 3/4"	34"	36"

### DSA ROOF FLASHING

6" dia. 0/12 - 6/12	6" dia. 7/12 - 12/12	8" dia. 0/12 - 6/12	8" dia. 7/12 - 12/12
\$142.47 287016	\$227.31 287116	\$174.47 287018	\$254.52 287118

### STORM COLLAR

5" - 6" dia.	7" - 8" dia.	10" dia.	12" dia.
\$18.50 288006	\$20.44 288007	\$43.15 288010	\$46.34 288012



## DURATECH EXTENDED ROOF BRACKETS

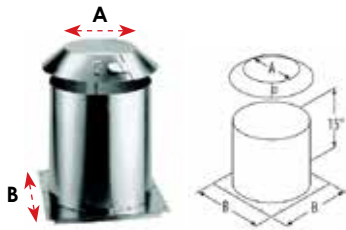
These Extended Roof Brackets are required when the DuraTech chimney pipe extends out of the roof more than 4'. The legs on these roof brackets will extend to handle varying roof slopes, and adjust from 67" - 114" lengths.

5" & 7" dia. (Adjustable)	6" & 8" dia. (Adjustable)	10" dia.	12" dia.
\$135.98 282605	\$135.98 282606	\$218.95 280610	\$218.95 280612

800.722.7230 | ONLINE ORDERING LINDEMANNCHIMNEYSUPPLY.COM

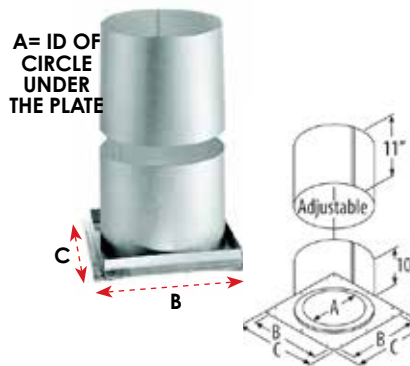
## DURATECH SHIELDS

### ATTIC INSULATION SHIELD



The Attic Insulation Shield is required for installations when DuraTech passes through an attic. It prevents insulation from accumulating near the chimney, and fits over a Firestop Radiation Shield. This product includes base and collar.

### FIRESTOP RADIATION SHIELD



The Firestop Radiation Shield is required for ceiling/floor penetrations when a ceiling support is not used, but is not required for passing through a roof. This shield fits on the ceiling side of the installation and adjusts in height.

#### MEASURING GUIDELINES

##### ATTIC INSULATION SHIELD

	6"	7"	8"	10"	12"
A	8"	9"	10"	12"	14"
B	14"	15"	16"	18"	20"

6" dia.	7" dia.	8" dia.
\$100.42 286206	\$127.11 286207	\$134.55 286208

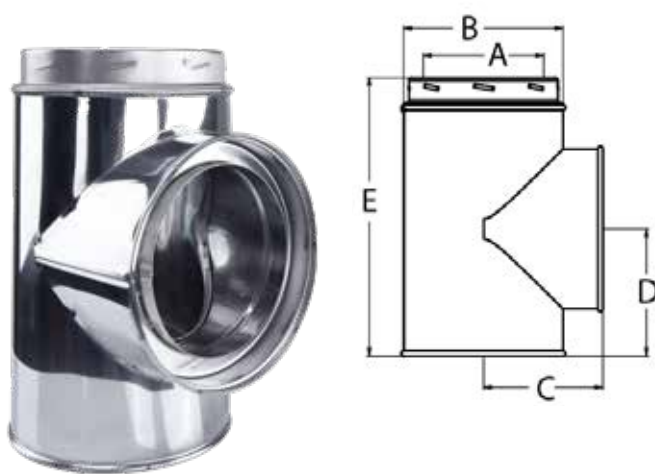
#### MEASURING GUIDELINES

##### FIRESTOP RADIATION SHIELD

	6"	7"	8"	10"	12"
A	8 1/8"	9 1/8"	10 1/8"	12 1/8"	14 1/8"
B	11 7/8"	12 7/8"	13 7/8"	15 7/8"	17 7/8"
C	14"	15"	16"	18"	20"

6" dia.	7" dia.	8" dia.	10" dia.	12" dia.
\$77.00 287406	\$119.85 287407	\$96.53 287408	\$399.52 287410	\$366.66 287412

## DURATECH TEE & TEE CAPS



Use this Tee & Tee Cap for through-the-wall installations of DuraTech chimney pipe. Its one-piece design enhances its drafting capabilities, and includes an easy-to-remove Tee Cap for cleaning and inspection. This product is available in either stainless steel or galvanized outer wall construction.

#### MEASURING GUIDELINES

SIZE	5"	6"	7"	8"
A	5"	6"	7"	8"
B	7"	8"	9"	10"
C	5 1/2"	6 1/8"	6 1/2"	7 1/8"
D	6"	6 1/2"	7 1/2"	7 3/4"
E	12 5/8"	13 7/8"	14 1/4"	15 1/4"

	6" dia.	7" dia.	8" dia.	10" dia.	12" dia.
STAINLESS STEEL	\$330.58 283906	\$433.95 283907	\$490.52 283908	\$1,491.06 283910	\$1,558.19 283912
GALVANIZED	\$250.63 283916	\$326.89 283917	\$351.08 283918	\$1,246.55 283910GA	-

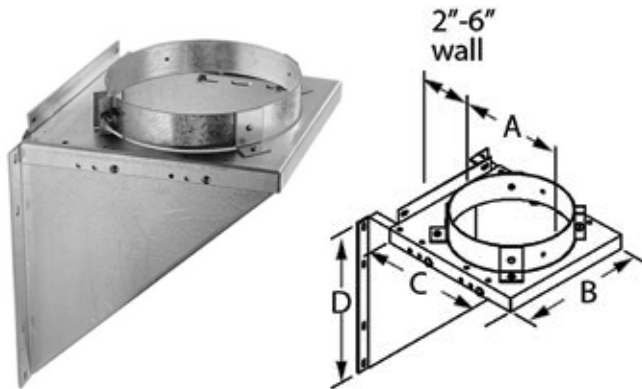
800.722.7230 | ONLINE ORDERING LINDEMANNCHIMNEYSUPPLY.COM

Prices are subject to change. See our website for the most up to date pricing.

## DURATECH TEE SUPPORT BRACKETS

Use these Adjustable Tee Support Brackets for up to 50' without straps, or 70' with straps for DuraTech chimney pipe. These brackets adjust to provide 2" - 6" of clearance to the wall. These supports should be used for every 8' of DuraTech chimney pipe.

For 10" and 12" DuraTech chimney pipe, we offer Tee Support Brackets that can support 30' of DuraTech chimney pipe, are non-adjustable, and provide 2" of clearance from the wall. Both of these tee support brackets can be installed above or below the tee, but each require a short section of chimney if installed below.



### MEASURING GUIDELINES

SIZE	5"	6"	7"	8"
A	7"	8"	9"	10"
B	10"	10"	12"	12"
C	11"	11"	13"	13"
D	11 3/4"	11 3/4"	13 3/4"	13 3/4"

	6" dia.	7" dia.	8" dia.	10" dia.*	12" dia.*
<b>STAINLESS STEEL</b>	\$303.27 284006	\$323.81 284007	\$356.90 284008		
<b>GALVANIZED</b>	\$124.81 284016	\$156.03 284017	\$181.37 284018	\$255.71 284010	\$593.53 284012

\*Non-Adjustable



## DURATECH TERMINATION CAPS

This Termination Cap easily twist-locks onto the end of DuraTech chimney pipe, allowing for quick removal and easy cleaning. These caps are made with stainless steel, and feature a five-year warranty.

The Spark Arrestor screen is sold separately for 5" - 8" Termination Caps (10" -12" caps include the screen).



### MEASURING GUIDELINES

#### TERMINATION CAP

	6"	7"	8"	10"	12"
<b>A</b>	6"	7"	8"	10"	12"
<b>B</b>	8"	9"	10"	12"	14"
<b>C</b>	11"	15"	15"	22"	22"
<b>D</b>	7 3/4"	7 3/4"	7 3/4"	10 1/2"	10 1/2"

6" dia.	7" dia.	8" dia.	10" dia.*	12" dia.*
\$112.13 289906	\$153.11 289907	\$200.87 289908	\$359.58 289910	\$375.56 289912

\*Includes Spark Arrestor

**SPARK ARRESTOR  
FOR TERMINATION CAP**

5" - 8"

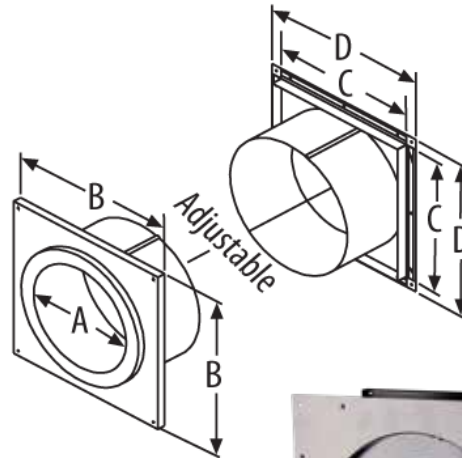
\$22.47  
280101

## DURATECH WALL THIMBLES & WALL STRAPS

### WALL THIMBLES

This Wall Thimble for DuraTech chimney pipe can adjust from 4" - 10", depending on width of the combustible wall that the pipe will be passing through. The thimble must be installed horizontally with the chimney pipe extending a minimum of 6" into the room beyond the interior wall.

6" dia.	7" dia.	8" dia.	10" dia.	12" dia.
\$98.47 286306	\$199.76 286307	\$125.76 286308	\$576.34 286310	\$405.92 286312



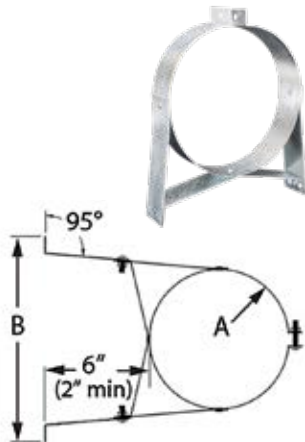
### MEASURING GUIDELINES

#### WALL THIMBLE

	6"	7"	8"	10"	12"
A	8 1/8"	9 1/8"	10 1/8"	12 1/8"	14 1/8"
B	14"	16"	16"	20"	22"
C	11 7/8"	12 7/8"	13 7/8"	15 7/8"	17 7/8"
D	14"	15"	16"	18"	20"

### WALL STRAPS

Use these Wall Straps for interior or exterior installations to add support for DuraTech pipe runs! These wall straps are designed to provide 2" - 6" clearance to combustible walls, as well as fit multiple diameters of chimney pipe. DuraTech wall straps are required for every 8' of DuraTech pipe, and come available in either stainless steel or galvanized options.



	5" & 7"	6"	8"	10"	12"
STAINLESS STEEL	\$86.87 280515	\$90.68 280806	\$96.53 280808	-	-
GALVANIZED	-	\$51.68 280706	\$67.26 280708	\$103.21 280710	\$125.73 280712

Looking for larger sizes? Give us a call today!

### DURATECH LOCKING BANDS

The Locking Band is optional, but helps provide extra security for tee connections, elbow connections, and pipe joints.

6" dia.	7" dia.	8" dia.
\$12.66 289106	\$13.65 289107	\$14.61 289108



800.722.7230 | ONLINE ORDERING LINDEMANNCHIMNEYSUPPLY.COM

Prices are subject to change. See our website for the most up to date pricing.

# SAFEFLEX™



## HIGH PERFORMANCE

# STAINLESS STEEL LINERS

ALL FUEL LINERS FOR WOOD, COAL, OIL, AND GAS APPLIANCES



SMOOTH OR CORRUGATED WALLS AVAILABLE



**DURAVENT TYPE B GAS VENT PIPE**



DuraVent Type B Gas Vent Pipe features the DuraLock connecting system, and can be used as a connector, or a standalone vent pipe. This pipe is for use with gas fireplaces, gas-fired category I furnaces, boilers, water heaters, and wall or space heating appliances. The recessed, inner wall is .012" aluminum while the outer wall is .018" galvanized and adds 5/8" in wall thickness.

DuraVent Type B Gas Vent is UL and ULC listed, with 1" clearance for residential installations and comes with a limited lifetime warranty.

Check out the secure, easy-to-connect, DuraLock connection below.



Additional product information, technical specifications, and more sizes available on our website!



Scan the QR Code to visit the DuraVent website and see how the Type B Gas Vent Pipes assemble

**TYPE B GAS VENT PIPE**

	4" dia.	5" dia.	6" dia.	7" dia.
6" LENGTH	\$17.84 260604	\$20.46 260605	\$23.83 260606	\$33.33 260607
12" LENGTH	\$17.19 261204	\$20.91 261205	\$24.46 261206	\$36.23 261207
18" LENGTH	\$20.95 261804	\$24.74 261805	\$28.27 261806	\$44.97 261807
24" LENGTH	\$26.98 262404	\$32.75 262405	\$39.33 262406	\$56.65 262407
36" LENGTH	\$37.11 263604	\$44.10 263605	\$51.34 263606	\$74.57 263607
48" LENGTH	\$48.02 264804	\$56.77 264805	\$65.92 264806	\$95.16 264807
60" LENGTH	\$58.06 266004	\$67.04 266005	\$77.26 266006	\$115.69 266007

**TYPE B GAS VENT ADJUSTABLE PIPE**

	4" dia.	5" dia.	6" dia.	7" dia.
3" - 10" LENGTH	\$23.62 260304	\$27.22 260305	\$30.04 260306	\$38.25 260307

[HTTPS://DURAVENT.COM/  
PRODUCT/MODEL-BV](https://duraVent.com/product/model-BV)

**800.722.7230 | ONLINE ORDERING LINDEMANNCHIMNEYSUPPLY.COM**

Prices are subject to change. See our website for the most up to date pricing.

FEMALE ADAPTER



MALE ADAPTER

## TYPE B GAS VENT UNIVERSAL ADAPTER

These Female and Male Universal Adapters connect DuraVent Type B Gas Vent Pipe to other, listed gas vent pipes manufactured by other companies.

	4" dia.	5" dia.	6" dia.	7" dia.
<b>FEMALE</b>	\$25.05 265004	\$25.75 265005	\$26.32 265006	\$63.78 265007
<b>MALE</b>	\$21.73 265104	\$23.30 265105	\$29.61 265106	\$102.04 265107

## TYPE B GAS VENT TRIM COLLARS

The Trim Collar for Type B Gas Vent is used in conjunction with a wall thimble as a decorative collar when passing the gas pipe through all wall types.

4" dia.	5" dia.	6" dia.
\$6.12 268104	\$6.33 268105	\$7.97 268106



## TYPE B GAS VENT DRAFT HOOD CONNECTORS

This Draft Hood Connector for Type B Gas Vent is used to connect appliance, or single-wall connectors to the vent system.

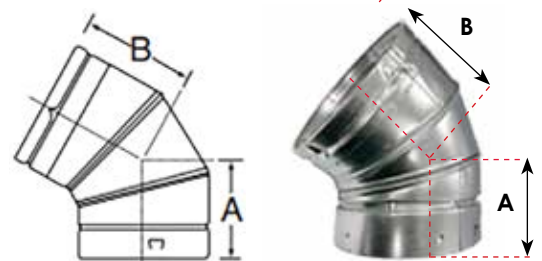
4" dia.	5" dia.	6" dia.	7" dia.
\$17.39 265204	\$17.68 265205	\$21.06 265206	\$49.30 265207

## TYPE B GAS VENT ELBOWS

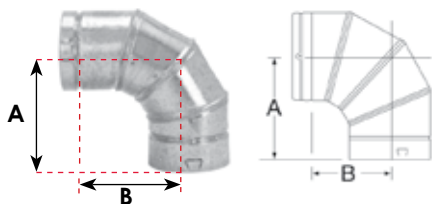
Adjustable Elbows for Type B Gas Vent provide offsets for wall obstructions, and adjust to varying degrees. The 90° elbow adjusts from 0° - 90°, and the 45°/60° elbow adjusts from 45° - 60°. \*Item 264507 is not adjustable.

	4" dia.	5" dia.	6" dia.	7" dia.
<b>45/60 DEGREE</b>	\$28.29 264504	\$32.67 264505	\$39.33 264506	\$80.78 264507*
<b>90 DEGREE</b>	\$47.96 269004	\$59.67 269005	\$68.91 269006	\$104.79 269007

### MEASURING GUIDELINES



### MEASURING GUIDELINES



90 DEGREE ELBOW		
SIZE	A	B
4"	6"	5½"
5"	6½"	6½"
6"	6¾"	6¾"
7"	7¾"	7½"

45/60 DEGREE ELBOW		
SIZE	A	B
4"	4¾"	4¹¹⁄₁₆"
5"	4¾"	4¹¹⁄₁₆"
6"	4¾"	4¹¹⁄₁₆"
7"	6½"	6¼"

800.722.7230 | ONLINE ORDERING LINDEMANNCHIMNEYSUPPLY.COM

## TYPE B GAS VENT ROOF FLASHINGS & STORM COLLARS

These Roof Flashings for Type B Gas Vent are made with galvalume, and used to weather proof the vent pipe that reaches past the roof. Available in either adjustable or steep designs, the Adjustable Roof Flashing has a range from 0/12 to 6/12, while the Steep Roof Flashing has a range from 7/12 to 12/12.

### ADJUSTABLE ROOF FLASHING: MEASURING GUIDELINES

SIZE	A	B	C	D
3"	3½"	14 <sup>7</sup> / <sub>8</sub> "	12¼"	6 <sup>11</sup> / <sub>16</sub> "
4"	4½"	16"	13¼"	7¾"
5"	5½"	16 <sup>15</sup> / <sub>16</sub> "	14¼"	8 <sup>7</sup> / <sub>8</sub> "
6"	6½"	18"	15¼"	10"
7"	7½"	19 <sup>1</sup> / <sub>8</sub> "	16"	11 <sup>1</sup> / <sub>8</sub> "
8"	8½"	2¼"	16 <sup>15</sup> / <sub>16</sub> "	12¼"

### ADJUSTABLE STEEP ROOF: MEASURING GUIDELINES

SIZE	A	B	C	D
3"	3½"	18"	15¼"	10¼"
4"	4½"	19 <sup>1</sup> / <sub>8</sub> "	16"	11 <sup>1</sup> / <sub>8</sub> "
5"	5½"	20¼"	16 <sup>15</sup> / <sub>16</sub> "	12¼"
6"	6½"	24¼"	20"	15 <sup>5</sup> / <sub>8</sub> "
7"	7½"	24¼"	20"	15 <sup>5</sup> / <sub>8</sub> "
8"	8½"	25"	19½"	17 <sup>1</sup> / <sub>8</sub> "

### ROOF FLASHINGS

	4" dia.	5" dia.	6" dia.	7" dia.
<b>ADJUSTABLE</b>	\$17.66 267104	\$28.03 267105	\$38.88 267106	\$48.07 267107
<b>STEEP</b>	\$45.75 267204	\$50.92 267205	\$65.64 267206	\$79.69 267207

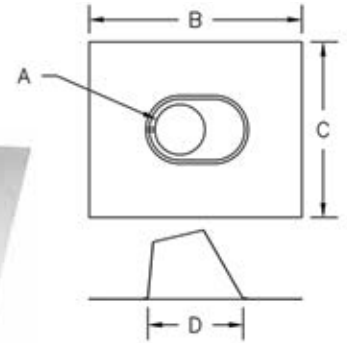


ADJUSTABLE  
ROOF FLASHING



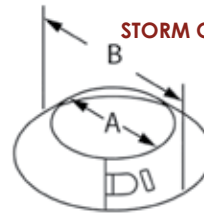
ADJUSTABLE  
STEEP FLASHING

### ADJUSTABLE ROOF & STEEP ROOF FLASHING MEASUREMENTS



## STORM COLLARS

Storm Collars are used to maintain a tight, weather resistant seal, and are required when installing these roof flashings.



STORM COLLAR MEASUREMENTS



	4" dia.	5" dia.	6" dia.	7" dia.
<b>STORM COLLAR</b>	\$4.81 268004	\$9.67 268005	\$10.07 268006	\$11.83 268007

## TYPE B GAS VENT CAPS



HIGH-WIND

The **High-Wind Cap** is for vertical terminations of Type B Gas Vent only, and is designed to deter downdrafts, and improve venting in high wind conditions. Made with Aluminum.



DURACAP

The **DuraCap** is for vertical terminations of Type B Gas Vent only, and is designed to provide excellent rain protection, while still allowing for optimum venting. Made with Aluminum.

	4" dia.	5" dia.	6" dia.	7" dia.
<b>HIGH-WIND</b>	\$38.10 269804	\$40.63 269805	\$47.28 269806	\$72.28 269807

	4" dia.	5" dia.	6" dia.	7" dia.
<b>DURACAP</b>	\$23.54 269904	\$31.93 269905	\$39.91 269906	\$48.21 269907

800.722.7230 | ONLINE ORDERING LINDEMANNCHIMNEYSUPPLY.COM

Prices are subject to change. See our website for the most up to date pricing.



## TYPE B GAS VENT FIRESTOP SPACER & SQUARE SUPPORT

A Firestop Spacer or Square Firestop Support are required for Type B Gas Vent Pipe when passing through a ceiling.

The Square Firestop Support includes 16" long straps, and support clamp that prevents pipe section from slipping downwards.

	4" dia.	5" dia.	6" dia.	7" dia.
<b>FIRESTOP SPACER</b>	\$10.41 266104	\$10.41 266105	\$10.41 266106	\$36.80 266107
<b>SQUARE FIRESTOP SUPPORT</b>	\$21.98 266404	\$17.21 266405	\$17.60 266406	\$26.55 266407

## TYPE B GAS VENT TEE & TEE COVER

This Standard Tee for Type B Gas Vent features a swivel branch for alignment, and can be used for a 90° offset or to combine connectors from two or more appliances into a common vent. The Tee Cap is used to terminate the Standard Tee, allowing for quick cleaning with its easy-to-remove design.



	4" dia.	5" dia.	6" dia.	7" dia.
<b>STANDARD TEE</b>	\$59.18 263904	\$65.95 263905	\$72.51 263906	\$96.36 263907
<b>TEE CAP</b>	\$4.83 263104	\$5.97 263105	\$6.65 263106	\$13.22 263107

CHIMNEY LINERS & PIPES



## TYPE B GAS VENT WALL THIMBLE & STRAPS

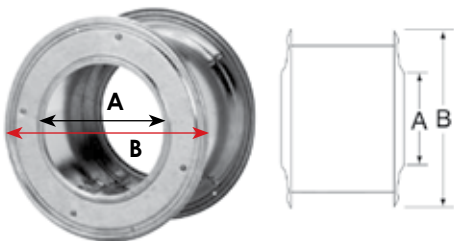
WALL THIMBLE				
<b>A</b>	4¾"	5¾"	6¾"	7¾"
<b>B</b>	8½"	9½"	10½"	11½"

### Wall Strap



This Wall Thimble for Type B Gas Vent is used when passing pipe through a combustible wall, and can adjust from 3 ½" - 6" depending on wall thickness. Trim Collars (page 48) can be used in conjunction with the wall thimble as a decorative collar.

Wall Straps are used to provide support for offsets and for horizontal, Type B Gas Vent Pipe runs. The legs on these straps can be rotated 360° to conceal the screw. This product should be used every 4' to support vertical venting.



MEASURING GUIDELINES

	4" dia.	5" dia.	6" dia.	7" dia.
<b>WALL THIMBLE</b>	\$27.68 266304	\$30.78 266305	\$47.00 266306	\$41.98 266307
<b>WALL STRAP USE EVERY 4'</b>	\$26.40 260404	\$29.70 260405	-	-

## DIRECTVENT PRO PIPE

DuraVent DirectVent Pro sets the standard for direct vent, gas appliance venting, and features an innovative design with tight, inner connections. There are no extra gaskets or sealants required, unless specified by the appliance manufacturer. DirectVent Pro features a laser welded outer wall with low profile locks, avoiding unsightly beads and hems. This presents a smooth, sleek pipe that's elegant enough for any home decor. DirectVent Pro pipe has two functions: the aluminum inner wall heats up quickly to exhaust flue gases, and the space between the inner/outer walls provides a conduit for outside air to be drawn in and used as combustion air.

DirectVent Pro is available in 4" x 6 5/8" (inner/outer dia.) or 5" x 8" (inner/outer dia.) with a galvanized or black painted outer wall. This product is UL listed with the appliance as part of the system, and clearances must be specified by the appliance manufacturer.

Pipe Extensions and Adjustable Pipe are used to add length to a straight, DirectVent Pro pipe. Pipe Extensions adjust 3" - 7" or 3" - 14 1/2", and come in galvanized or black painted, outer walls. Adjustable Pipe telescopes from 11" - 17" or 17" - 24", and comes in galvanized or black painted, outer walls.

### DIRECTVENT PRO PIPE

		6" length	12" length	24" length	36" length	48" length
<b>BLACK</b>	<b>4" X 6 5/8"</b>	\$62.61 279061A	\$68.65 279061	\$88.97 279041	\$108.65 279031	\$129.88 279021
<b>GALVANIZED</b>	<b>4" X 6 5/8"</b>	\$35.33 279066	\$46.55 279060	\$63.56 279040	\$77.62 279030	\$92.77 279020
<b>GALVANIZED</b>	<b>5" X 8"</b>	-	\$54.76 279360	\$74.76 279340	\$91.31 279336	\$109.14 279320

### DIRECTVENT PRO PIPE EXTENSION (LIKE A SLIP CONNECTOR)

		3" - 7" length	3" - 14 1/2" length
<b>BLACK</b>	<b>4" X 6 5/8"</b>	\$53.13 279118	\$60.50 279126
<b>GALVANIZED</b>	<b>4" X 6 5/8"</b>	\$34.59 279108	\$41.03 279116
<b>GALVANIZED</b>	<b>5" X 8"</b>	\$40.74 279181	\$51.29 279168

### DIRECTVENT PRO ADJUSTABLE PIPE

		11" - 17" length	17" - 24" length
<b>BLACK</b>	<b>4" X 6 5/8"</b>	\$117.18 279111	\$125.55 279171
<b>GALVANIZED</b>	<b>4" X 6 5/8"</b>	\$63.40 279110	\$72.89 279017
<b>GALVANIZED</b>	<b>5" X 8"</b>	\$77.63 279178	\$81.61 279124



Additional product information, technical specifications, and more sizes available on our website!

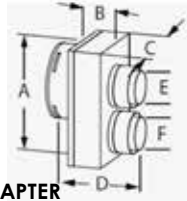
800.722.7230 | ONLINE ORDERING LINDEMANNCHIMNEYSUPPLY.COM

Prices are subject to change. See our website for the most up to date pricing.

## CO-AXIAL TO CO-LINEAR ADAPTER



DIRECTVENT PRO TERMINATION KIT



CO-AXIAL TO CO-LINEAR ADAPTER

### STANDARD CO-AXIAL TO CO-LINEAR CONNECTOR

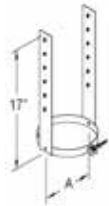
A	B	C	D
10 1/2"	3"	7 1/2"	7 1/8"

## DIRECTVENT PRO STANDARD CO-AXIAL TO CO-LINEAR ADAPTER

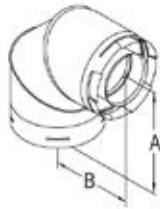
This Co-Axial to Co-Linear Adapter for DirectVent Pro converts the 4" x 6 5/8" direct vent pipe to two, 3" liners. One liner exhausts the flue gases while the other liner provides combustion air. These adapters do not include the required 3" aluminum liners, chimney liner termination kit, or termination cap. Always check with the appliance manufacturer for specifications and recommendations.

DirectVent Pro Termination Kits are also available!

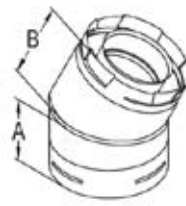
CO-AXIAL TO CO-LINEAR ADAPTER	\$201.40 279233
DIRECTVENT PRO TERMINATION KIT	\$217.34 279231



A = 6 5/8"



A&B = 6 1/2"



A&B = 4 1/4"

## DIRECTVENT PRO ELBOWS & ELBOW STRAPS

DirectVent Pro Elbows feature twist-lock construction and swivel bases - allowing the lock to remain fully engaged while aligning to the desired directions. The elbows are available in either black or galvanized outer walls, and are fixed at 45° or 90°. The Elbow Straps are 17" long - designed for even the most challenging installations.

4" x 6 5/8"

### ELBOW STRAP

\$20.15  
279890

### ELBOW GALVANIZED OUTER WALL

45 degree      90 degree

4" X 6 5/8"	\$62.77 279450	\$73.44 279903
5" X 8"	\$76.61 279345	\$89.36 279390

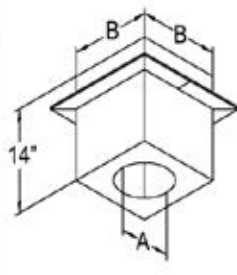
### ELBOW BLACK OUTER WALL

45 degree      90 degree

4" X 6 5/8"	\$82.14 279451	\$95.94 279901
-------------	-------------------	-------------------

## DIRECTVENT PRO CATHEDRAL CEILING SUPPORT BOX

This Cathedral Ceiling Support Box is used when passing DirectVent Pro pipe through vaulted or flat ceilings. This support box is painted black, and includes a support clamp and trim.



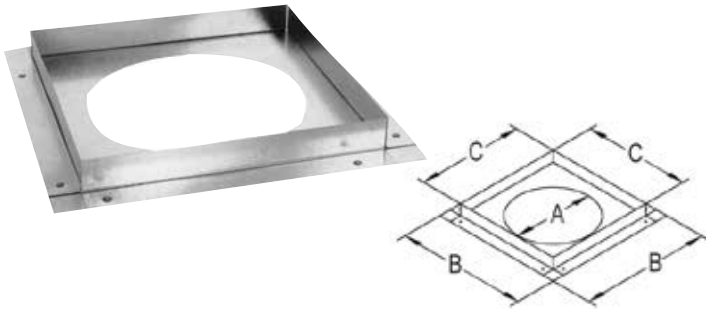
MEASURING GUIDELINES

CATHEDRAL CEILING SUPPORT BOX		
SIZE	A	B
4" x 6 5/8"	6 7/8"	10 5/8"
5" x 8"	8 1/4"	10 5/8"

	4" x 6 5/8"	5" x 8"
CATHEDRAL CEILING SUPPORT BOX	\$125.95 279410	\$157.44 279411

## DIRECTVENT PRO CEILING FIRESTOP

This Ceiling Firestop is required for multi-story, vertical installations at the second floor and any subsequent floors.



CEILING FIRESTOP			
SIZE	A	B	C
4" x 6 5/8"	6 3/4"	11"	9"
5" x 8"	8 1/4"	12 1/2"	10 1/2"

PRO CEILING FIRESTOP	4" x 6 5/8"	5" x 8"
	\$15.32 279630	\$19.14 279635

## DIRECTVENT PRO ROOF FLASHINGS

These Roof Flashings for DirectVent Pro are made with galvalume, and used to weatherproof the vent pipe that reaches past the roof. Available in either adjustable or steep designs, the Adjustable Roof Flashing has a range from 0/12 to 6/12, while the Steep Roof Flashing has a range from 7/12 to 12/12.



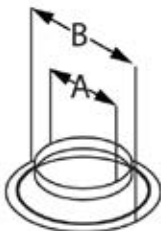
STEEP ROOF FLASHING



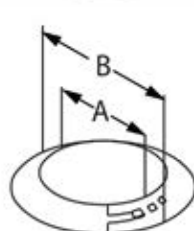
ADJUSTABLE ROOF FLASHING

ADJUSTABLE - 0/12 TO 6/12	4" x 6 5/8"	5" x 8"
	\$44.65 279430	\$82.44 279435
STEEP - 7/12 TO 12/12	\$84.71 279431	\$146.19 279436

279530



279535



## DIRECTVENT PRO STORM COLLARS

Storm Collars are used to maintain a tight, weather resistant seal, and are required when installing these roof flashings. They feature a raised beveled collar, effective at shedding rain away from the flashing. The outside dimension is 10 5/8".

STORM COLLAR	4" x 6 5/8"	5" x 8"
	\$12.98 279530	\$21.24 279535

SIZE	A	B
4" X 6 5/8"	6 5/8"	10 5/8"
5" X 8"	8"	12"

## DIRECTVENT PRO TERMINATION CAPS

### LOW-PROFILE TERMINATION CAP



These Low-Profile Termination Caps made with aluminum are for vertical terminations of DirectVent Pro pipe

only. They provide protection from rain and debris while still providing excellent venting.

4" x 6 5/8"

5" x 8"

**\$123.85**  
279800

**\$141.60**  
279805

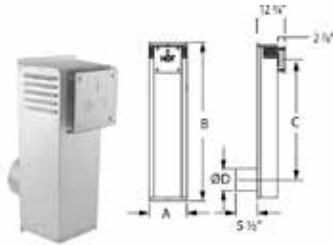


### HIGH-WIND TERMINATION CAP

The High-Wind Termination Cap for DirectVent Pro provides improved draft performance in high wind conditions. It prevents downdraft, and stops rain and debris from entering the pipe. This cap is for vertical terminations only. Also available with 3" intake and 3" exhaust for any appliance requiring a dual linking air system.

### VERTICAL RAIN CAP

SIZE	A	B	C
4" x 6 5/8"	10"	23 3/4"	14"
4" x 6 5/8"	10"	45 3/4"	36"
4" x 6 5/8"	10"	23 3/4"	14"
4" x 6 5/8"	10"	45 3/4"	36"



4" x 6 5/8"

5" x 8"

Intake 3" / Exhaust 3"

**\$104.54**  
279910

**\$124.17**  
279915

**\$235.25**  
279238

### SQUARE HORIZONTAL TERMINATION CAP

The Square Horizontal Termination Cap is for use with standard and high-wind, through-the-wall terminations of DirectVent Pro pipe. Be sure to check the appliance manufacturer's instructions for minimum clearances from windows, doors, etc. This cap is for horizontal terminations only.

### HORIZONTAL RAIN CAP

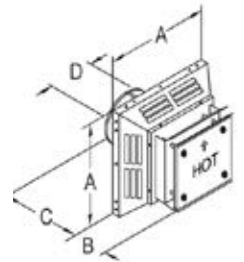
A	B	C	D
13 1/2"	6 7/8"	12 1/2"	6 5/8"

4" x 6 5/8"

5" x 8"

**\$259.34**  
279840

**\$294.87**  
279845



## DIRECTVENT PRO VINYL SIDING STANDOFF

Use this Vinyl Siding Standoff as a heat shield for DirectVent Pro on structures with vinyl siding, or other heat sensitive material to prevent warping and/or melting of the material. This product should only be used with horizontal terminations, and on any irregular surfaced siding.

### VINYL SIDING STANDOFF

A	B	C
6 3/4"	17 1/2"	13 1/2"

### VINYL SIDING STANDOFF KIT

A	B	C
12 7/8"	10 7/8"	3"

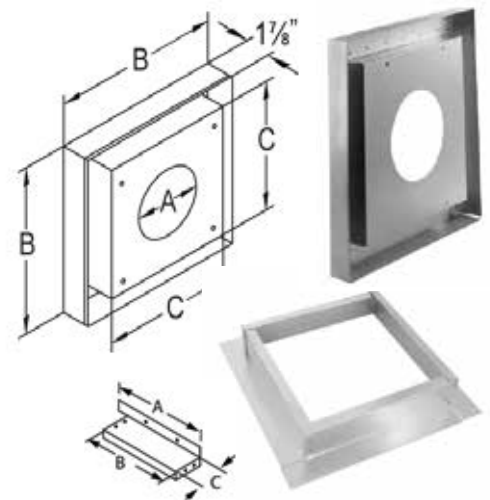
4" x 6 5/8"

5" x 8"

**STANDARD**

**\$83.97**  
279500

**\$130.22**  
279505





## DIRECTVENT CO-LINEAR KIT & FLEX

Use these Co-Linear Kits & Flex when installing a DirectVent, co-linear insert into a masonry chimney.

**These kits include:** choice of either High-Wind Termination Cap or Prairie Termination Cap, and two pieces of aluminum flex lengths - one red (exhaust) and one green (air intake).

### Flex Lengths:

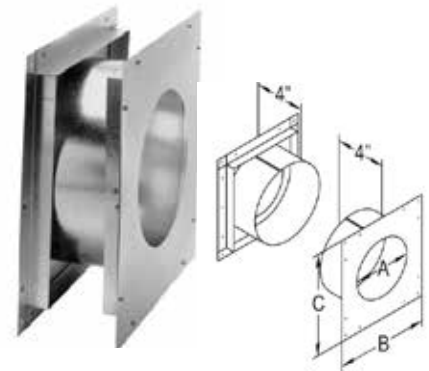
- (279235) Flex Kit & High-Wind Cap includes: 2, 3" x 35' flex lengths
- (279236) Flex Kit & Prairie Cap includes: 2, 3" x 35' flex lengths
- (279234) Flex Kit & Prairie Cap includes: 1, 3" x 35' flex length and 1, 4" x 35' flex length

High-Wind 3" x 35' (2)	Prairie 3" x 35' (2)	Prairie 3" x 35' (1) & 4" x 35' (1)
\$441.77 279235	\$487.47 279236	\$487.47 279234

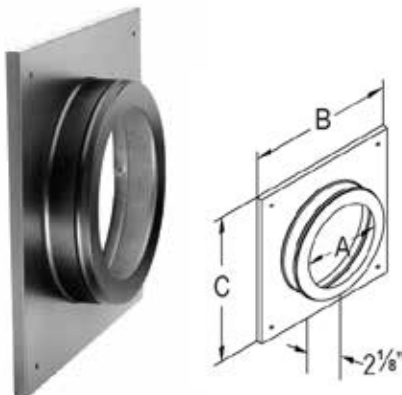
## DIRECTVENT PRO WALL THIMBLES

### WALL THIMBLE

This Wall Thimble for DirectVent Pro provides a complete wall-pass-through and firestop, when used with the Square Horizontal Cap. When installing, refer to the appliance manufacturer's installation instructions.



WALL THIMBLE				4" x 6 5/8"	5" x 8"
Sizes	A	B	C	\$58.20 279420	\$86.30 279425
4" x 6 5/8"	6 3/4"	11"	12" Standard		
5" x 8"	8 1/4"	12 1/2"	12 1/2" Smaller		



### CEILING SUPPORT/WALL THIMBLE COVER

The Ceiling Support/Wall Thimble Cover for DirectVent Pro is used as a decorative cover for horizontal wall thimble or flat ceiling installations. This support/cover fits over the wall thimble face plate, and comes with an insulation ring to reduce air infiltration where the pipe slips through the thimble.

CEILING SUPPORT WALL THIMBLE COVER (B x C) 13" x 13"		4" x 6 5/8"	5" x 8"
WALL THIMBLE SIZE	HOLE SIZE A	\$80.98 279400	\$93.07 279405
4" x 6 5/8"	6 7/8"		
5" x 8"	8 1/4"		

### WALL STRAP

This Wall Strap is used to support DirectVent Pro pipe, and is recommended for use on every 4' of vertical pipe run. This strap provides a 1" clearance after proper installation.

4" x 6 5/8"	5" x 8"
\$27.64 279880	\$31.49 279885



800.722.7230 | ONLINE ORDERING LINDEMANNCHIMNEYSUPPLY.COM

Prices are subject to change. See our website for the most up to date pricing.

## PELLETVENT PRO PIPES



PelletVent Pro is the leading pipe for venting wood pellets, and oil fuel. It is also built to vent biofuel such as corn, switch grass, pellets, cherry pits, soy beans, coffee husks, sunflower shells, and walnut hulls. PelletVent Pro's laser-welded, metal-to-metal sealed inner and outer walls prevent against any form of leakage. The inner wall is constructed with .012" stainless steel, and the outer wall features .018" galvalume construction. Furthermore, a high-temperature, silicone "o-ring" is encapsulated between these welded inner and

outer walls at the joints, providing a superior, secondary seal.

This double-wall, air-insulated vent pipe partners with factory sealed, solid-seam constructed elbows, tees and fittings.

PelletVent Pro is UL listed for 1" clearance to combustibles in the USA and in Canada. Listings include UL 641, ULC S609 and ULC/ORD C441.

PelletVent Pro pipe and components are available in either galvanized or black outer wall, and feature a limited lifetime warranty.

**Additional product information, technical specifications, and more sizes available on our website!**

### PELLETVENT PRO PIPE GALVANIZED OUTER

	6" length	12" length*	12" length	18" length*	24" length	36" length	60" length
<b>3" DIAMETER</b>	\$30.74 170603	\$59.83 170303	\$44.03 171203	\$91.91 170403	\$58.17 172403	\$79.79 173603	\$114.04 176003
<b>4" DIAMETER</b>	\$32.89 170604	\$66.16 170304	\$47.03 171204	\$101.73 170404	\$73.46 172404	\$95.41 173604	\$129.33 176004
		*(3" - 10") Adjustable Size		*(3" - 16") Adjustable Size			

### PELLETVENT PRO PIPE BLACK OUTER

	6" length	12" length*	12" length	18" length*	24" length	36" length	60" length
<b>3" DIAMETER</b>	\$43.20 170613	\$71.47 170313	\$57.84 171213	\$109.87 170413	\$72.30 172413	\$90.26 173613	\$135.15 176013
<b>4" DIAMETER</b>	\$53.69 170614	\$93.91 170314	\$74.29 171214	\$144.46 170414	\$100.23 172414	\$117.53 173614	\$155.76 176014
		*(3" - 10") Adjustable Size		*(3" - 16") Adjustable Size			

## PELLETVENT PRO ADAPTERS & INCREASERS



Appliance Adapter



Flex Adapter



Appliance Adapter Increaser



Increaser

**Appliance Adapter:** used to easily attach an appliance outlet to PelletVent Pro vent pipe, and is available in either galvanized or black, outer galvalume.

**Flex Adapter:** used to connect PelletVent Pro to BioFlex when relining a masonry chimney.

**Appliance Adapter Increasers:** attach to the appliance adapter (not directly to the unit), allowing 4" PelletVent Pro pipe to easily connect with a 3" appliance outlet. This product is available in either galvanized or black, outer galvalume.

**Increaser:** is used to transition from a 3" pipe to a 4" pipe, and does not act as a decrease or stove adapter.

**Chimney Adapter:** used to transition existing chimney such as DuraTech, DuraPlus or DuraPlus HTC to PelletVent Pro vent pipe.

### GALVANIZED OUTER

### BLACK OUTER

	3" dia.	4" dia.		3" dia.	4" dia.
APPLIANCE ADAPTER	\$26.23 175203	\$28.42 175204		\$39.35 175313	\$74.01 175314
				\$32.89 172503	\$27.16 172504
APPLIANCE ADAPTER INCREASER		3" - 4" dia. \$95.30 173403			
INCREASER		\$75.45 173503			3" - 4" dia. \$113.86 173413
CHIMNEY ADAPTER			3" - 6" dia. \$116.27 170301	3" - 8" dia. \$143.60 170302	4" - 6" dia. \$121.39 170305
					4" - 8" dia. \$147.80 170306

## HARMAN BLACK STOVE ADAPTER



HARMAN ADAPTER

The Harman Adapter is used to provide a secure, tight fit between the exhaust outlet on any Harman Pellet Stove and PelletVent Pro vent pipe.

3" dia.  
\$39.45  
175206



HARMAN ADAPTER INCREASER

The Harman Adapter Increaser is used to increase the vent diameters of Harman Pellet Stoves from 3" exhaust to 4" PelletVent Pro pipe.

3" - 4" dia.  
\$125.39  
175207

## PELLETVENT PRO CEILING & ROOF SUPPORTS



**Ceiling Support  
Firestop Spacer - 3"**



**Ceiling Support  
Firestop Spacer - 1"**



**Cathedral Ceiling  
Support Box**

Ceiling Support Firestop Spacers are required where PelletVent Pro vent pipe passes through a ceiling (1" clearance or 3" clearance). The Cathedral Ceiling Support Box is used to support PelletVent Pro vent pipe while providing a protective passageway through the ceiling, and includes a support clamp and 2" trim collar.

### CEILING SUPPORT FIRESTOP SPACER

	3" dia.	4" dia.
1" CLEARANCE	\$63.67 176103	\$74.29 176104

### CATHEDRAL CEILING SUPPORT BOX

	3" dia.	4" dia.
	\$132.02 174203	\$132.02 174204

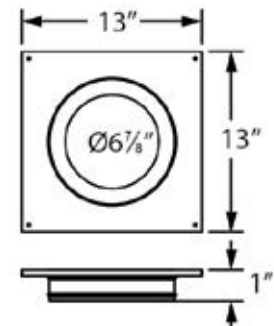
## PELLETVENT PRO CEILING SUPPORT/WALL THIMBLE COVER & REDUCTION COLLAR

The Ceiling Support/Wall Thimble Cover is used to provide a decorative finish to ceiling support boxes and wall thimbles. This cover should be used with the Reduction Collar, which reduces the

hole diameter in the Ceiling Support/Wall Thimble Cover to fit either a 3" or 4" PelletVent Pro vent pipe. The Reduction Collar can also be used as a trim collar when penetrating a masonry chimney.

### CEILING SUPPORT/WALL THIMBLE COVER

3" - 4" dia.  
\$74.46  
176703



### REDUCTION COLLAR

3" dia.	4" dia.
\$28.94 176603	\$28.94 176604

800.722.7230 | ONLINE ORDERING LINDEMANNCHIMNEYSUPPLY.COM



PELLETVENT 45° PRO ELBOWS		
SIZE	A	B
3"	3 <sup>7</sup> / <sub>8</sub> "	4"
3" BLACK	3 <sup>7</sup> / <sub>8</sub> "	4"
4"	3 <sup>7</sup> / <sub>8</sub> "	4"
4" BLACK	3 <sup>7</sup> / <sub>8</sub> "	4"

## PELLETVENT PRO ELBOWS

Both the 45° and 90° Elbows include a 360° swivel base; allowing you to rotate the elbow to avoid obstructions if needed. Angles are not adjustable.

These elbows come in either galvanized or black galvalume outer walls.



PELLETVENT 90° PRO ELBOWS		
SIZE	A	B
3"	5 <sup>1</sup> / <sub>2</sub> "	5 <sup>1</sup> / <sub>2</sub> "
3" BLACK	5 <sup>1</sup> / <sub>2</sub> "	5 <sup>1</sup> / <sub>2</sub> "
4"	5 <sup>1</sup> / <sub>2</sub> "	5 <sup>1</sup> / <sub>2</sub> "
4" BLACK	5 <sup>1</sup> / <sub>2</sub> "	5 <sup>1</sup> / <sub>2</sub> "

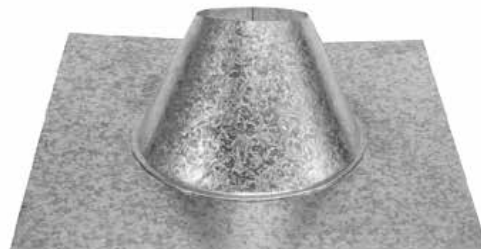
	3" dia.	4" dia.
<b>GALVANIZED OUTER 45 DEGREE</b>	<b>\$77.79</b> <b>174503</b>	<b>\$88.10</b> <b>174504</b>
<b>GALVANIZED OUTER 90 DEGREE</b>	<b>\$97.25</b> <b>179003</b>	<b>\$122.35</b> <b>179004</b>
<b>BLACK OUTER 45 DEGREE</b>	<b>\$86.76</b> <b>174513</b>	<b>\$109.55</b> <b>174514</b>
<b>BLACK OUTER 90 DEGREE</b>	<b>\$109.55</b> <b>179013</b>	<b>\$142.62</b> <b>179014</b>

## PELLETVENT PRO FLASHINGS & STORM COLLARS

This Adjustable Flashing is used to weather proof the penetration of PelletVent Pro vent pipe through the roof, and adjusts from 0/12 - 6/12 pitches. The Storm Collar is used to maintain the tight, weather resistant seal between the vent pipe and flashing, and is required when installing the Adjustable Flashing.

### ADJUSTABLE FLASHINGS - 0/12 TO 6/12

3" dia.	4" dia.
<b>\$27.16</b> <b>177103</b>	<b>\$30.43</b> <b>177104</b>



### STORM COLLAR

3" dia.	4" dia.
<b>\$7.82</b> <b>178003</b>	<b>\$9.05</b> <b>178004</b>



## PELLETVENT PRO CAPS



**VERTICAL CAP**

Use the Vertical Cap for vertical terminations of PelletVent Pro when the vent pipe reaches above the roof line.

3" dia.	4" dia.
\$79.26 179903	\$84.06 179904

### HORIZONTAL CAP

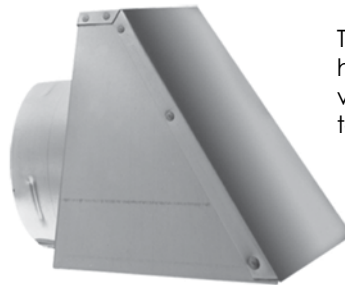
The round, Horizontal Cap features a swivel collar to adjust exhaust direction. This cap is made of laser-welded, stainless steel inner/outer walls, to resist corrosion from biofuels.



3" dia.	4" dia.
\$54.74 179913	\$61.88 179914

### SQUARE HORIZONTAL CAP

The Square Horizontal Cap is used for horizontal terminations of PelletVent Pro vent pipe only, and features a swivel collar to adjust exhaust direction.



3" dia.	4" dia.
\$69.75 179103	\$76.32 179104

CHIMNEY LINERS & PIPES



**HOUSE SHIELD**

The House Shield is used to protect the exterior of the structure from blower discharge in horizontal venting applications. The shield is 12 inches by 12 inches.

3" dia.	4" dia.
\$33.23 176803	\$49.04 176804

## PELLETVENT PRO SHIELDS



**ATTIC INSULATION SHIELD**

The Attic Insulation Shield is required for installations passing through an attic to prevent insulation and debris from accumulating near the vent pipe. This shield provides a 1" clearance to combustibles.

3" dia.	4" dia.
\$73.44 174003	\$73.44 174004

## PELLETVENT PRO TEES & TEE CAPS



Single Tee & Cleanout Cap



Adapter Tee & Cleanout Cap

Use the single tee with cleanout for a 90° offset. Branch swivels for alignment. One piece unit incorporates removable twist-lock Clean-Out Tee Cap. The adapter tee with cleanout is used for a 90° offset. Branch swivels for alignment. Attaches directly to appliance as an adapter. One piece unit incorporates removable twist-lock Clean-Out Tee Cap.

### GALVANIZED OUTER

	3" dia.	4" dia.
<b>SINGLE TEE &amp; CLEANOUT TEE CAP</b>	\$142.06 173903	\$148.58 173904
<b>ADAPTER TEE &amp; CLEANOUT TEE CAP</b>	\$142.06 174103	\$148.59 174343

### BLACK OUTER

	3" dia.	4" dia.
<b>SINGLE TEE &amp; CLEANOUT TEE CAP</b>	\$154.38 173913	\$164.52 173914
<b>ADAPTER TEE &amp; CLEANOUT TEE CAP</b>	\$155.26 174113	\$193.25 174353

The double tee allows clean-out access for horizontal and vertical installation: Use for a 90° offset. Branch swivels for alignment. One piece unit incorporates removable twist-lock Clean-Out Tee Cap.



	Galvanized Outer	Black Outer
<b>DOUBLE TEE &amp; CLEANOUT TEE CAP - 3"</b>	\$254.45 174303	\$254.45 174313
<b>DOUBLE TEE &amp; CLEANOUT TEE CAP - 4"</b>	-	\$272.53 173814



The Increaser Adapter Tee & Cleanout Tee Cap attaches directly to an appliance as an adapter, converting 3" appliance exhausts to 4" PelletVent Pro vent pipe. They are used for 90° offsets, and incorporate a removable, twist-lock Cleanout Tee Cap.

	Galvanized Outer	Black Outer
<b>INCREASER ADAPTER TEE &amp; CLEANOUT TEE CAP</b>	\$151.40 170295	\$165.07 170298

## PELLETVENT PRO WALL THIMBLE & WALL STRAP

The PelletVent Pro Wall Thimble is used for through-the-wall installations, and fits between standard wall studs. These thimbles come with an insulation ring to reduce air infiltration where the pipe slips through the thimble.

The Adjustable Wall Strap is used to support the vent pipe or tee sections and adjusts to provide a 1" - 3" clearance.



### WALL THIMBLE

	3" dia.	4" dia.
1" CLEARANCE	\$90.58 176303	\$97.86 176304



The Adjustable Wall Strap is used to support the vent pipe or tee sections and adjusts to provide a 1" - 3" clearance.

### ADJUSTABLE WALL STRAP

	3" dia.	4" dia.
	\$35.32 176903	\$38.22 176904

CHIMNEY LINERS & PIPES

# SAFEFLEX™

**SMOOTH OR CORRUGATED WALLS AVAILABLE**

## HIGH PERFORMANCE STAINLESS STEEL LINERS

**ALL FUEL LINERS FOR WOOD, COAL, OIL, AND GAS APPLIANCES**

800.722.7230 | ONLINE ORDERING [LINDEMANNCHIMNEYSUPPLY.COM](http://LINDEMANNCHIMNEYSUPPLY.COM)



**Additional product information, technical specifications, and more sizes available on our website!**

## DVL DOUBLE-WALL STOVEPIPES

DuraVent DVL is a double-wall, black stovepipe for connecting wood stoves to manufactured chimneys. This pipe is constructed with .016" stainless steel inner wall, and .018" painted black, galvanized outer wall. Featuring an air-insulated, double-wall design which reduces wall clearances to combustibles from 18" - 6", DVL improves stove performance by maintaining high flue gas temperatures for a strong, steady draft. The inner wall is constructed with stainless steel, allowing the flue to heat up faster and stay hot longer - minimizing creosote build-up. DVL Double-Wall Stovepipe is c-UL-us

listed to ULC S641 and comes with a limited lifetime warranty.

The DVL Telescoping Length makes adjusting for odd runs quick and easy for stove to ceiling support boxes, or finishing collars. The telescoping lengths come in either 46" (adjusts 29" - 46") or 68" (adjusts 40" - 68").

A smaller, DVL Adjustable Pipe adds length to standard DVL pipe and fills in for those short, final connections. The adjustable pipe comes in 12" lengths and adjusts to add 2" - 11" of length. NOTE: The wall clearance for a 6" pipe requires 8" to ceiling.



### DVL BLACK STOVEPIPE

	6" dia.	8" dia.
6" LENGTH	\$67.47 290606	\$95.58 290608
12" LENGTH	\$72.12 291206	\$108.89 291208
18" LENGTH	\$85.74 291806	\$140.92 291808
24" LENGTH	\$118.77 292406	\$152.05 292408
48" LENGTH	\$182.61 294806	\$246.16 294808

### DVL TELESCOPING PIPE

	6" dia.	8" dia.
48" LENGTH (ADJUSTS 29" - 46")	\$216.38 294206	\$284.27 294208
68" LENGTH (ADJUSTS 40" - 68")	\$287.09 296806	-

### DVL ADJUSTABLE PIPE

	6" dia.	8" dia.
12" LENGTH (ADJUSTS 2" - 11")	\$89.56 290306	\$126.21 290308

## DVL STOVE ADAPTERS

This DVL Stove Adapter connects DVL vent pipe to an appliance flue outlet, and has an installed height of 5". This product comes available with or without a damper section.

### STOVE ADAPTER

6" dia.	8" dia.
\$63.82 295206	\$98.63 295208

### STOVE ADAPTER & BUILT-IN DAMPER

6" dia.	8" dia.
\$87.28 295306	\$135.00 295308





### DVL CHIMNEY ADAPTER WITH TRIM

This Chimney Adapter & Trim is used to properly install a through-the-wall or ceiling support from double-wall, DVL vent pipe to: DuraTech, DuraPlus, DuraPlus HTC, and DuraLiner - providing a strong, mechanical connection. Painted black, this adapter will work with all 6" - 8" DuraPlus, 6" - 8" DuraPlus HTC, and 7" - 8" DuraTech installations.

**6" dia.**

**\$75.67**  
**296006**

**8" dia.**

**\$86.32**  
**296008**

### DVL ADAPTERS



### OVAL-TO-ROUND ADAPTER

Oval-To-Round Adapters are used to convert ovalized flue collars on appliances to round, DVL vent pipe. Available in either 8" oval - 6" round, or 8" oval - 8" round. These adapters have an inside flue outlet dimension of 6 5/8" x 9 1/2" with an installed height of 14 1/2".

**8" oval - 6" round**

**\$151.63**  
**295406**

**8" oval - 8" round**

**\$151.63**  
**295408**



**45 DEGREE**



**90 DEGREE**

### DVL ADJUSTABLE ELBOWS

These 45° and 90° DVL Elbows are used for offsetting obstructions as needed, and feature adjustable angles. These elbows are not recommended for rear-exit appliances.

**6" dia.**

**\$94.04**  
**294506**

**8" dia.**

**\$133.66**  
**294508**

**45 DEGREE**

**\$140.89**  
**299006**

**\$190.89**  
**299008**

**90 DEGREE**

### DVL INCREASERS

The DVL increaser is used to increase from a smaller appliance flue outlet to larger diameter chimney or stovepipe. A stove adapter is required to start the DVL stovepipe and appliance connection.

**6" - 8"**

**\$116.76**  
**299806**

**7" - 8"**

**\$163.79**  
**299807**





**DVL TEE & CLEANOUT CAP**

This DVL Tee & Cleanout Cap is painted black, and can be used with rear exit appliances, and appliances that require a barometric damper.

6" dia.	8" dia.
\$121.75 293906	\$205.58 293908

**DURABLACK CHIMNEY ADAPTERS & TRIM**

The stainless steel Chimney Adapters & Trim are used to properly install a through-the-wall or ceiling support for DVL and/or DuraBlack stovepipe connections to: DuraTech, DuraPlus, DuraPlus HTC, and DuraLiner.

6" dia.	8" dia.
\$41.29 295006	\$50.34 295008



**CROWN SAFE™**

**Clear Elastic Sealant**

- ONE STEP PROCESS! NO PRIMERS OR PRE-COATS REQUIRED
- FIBERED FOR STRENGTH TO RESIST CRACKING & PEELING
- SUPERIOR ADHESION & CLEAR FINISH
- APPLIES IN EXTREME WEATHER CONDITIONS & TEMPERATURES
- REPAIRS SMALL CRACKS & ADHERES TO MANY DIFFERENT SURFACES



800.722.7230 | ONLINE ORDERING LINDEMANNCHIMNEYSUPPLY.COM

Prices are subject to change. See our website for the most up to date pricing.



## DURABLACK STOVEPIPE & COMPONENTS

DuraVent's DuraBlack is an economical, single-wall stovepipe for connecting wood stoves to manufactured chimneys. This stovepipe is constructed with 24 gauge steel, painted black, features die formed end fittings, and has welded, drip free seams for leak proof operation. DuraBlack Stovepipe is available in a variety of sizes, including adjustable lengths, and comes with wide range of elbows, adapters, and components. DuraBlack requires an 18" clearance combustibles and features a five-year warranty.

**Additional product information, technical specifications, and more sizes available on our website!**

### DURABLACK STOVEPIPE

	6" dia.	7" dia.	8" dia.	10" dia.
12" LENGTH	\$31.20 195006	\$35.76 195007	\$32.19 195008	\$77.92 195010
24" LENGTH	\$35.13 195206	\$45.67 195207	\$40.76 195208	\$93.94 195210
48" LENGTH	\$58.87 195406	\$65.72 195407	\$66.82 195408	-

### DURABLACK STOVEPIPE - ADJUSTABLE (TELESCOPES FROM 44" - 68")

6" dia.
\$121.90 194406

### DURABLACK OVAL-TO-ROUND ADAPTER

This Oval-To-Round Adapter connects DuraBlack stovepipe to an oval, appliance flue collar. These adapters are 12" tall, 1/16" smaller than the given diameter size, and must be field ovalized to fit.

6" dia.	7" dia.	8" dia.
\$33.44 195506	\$70.12 195507	\$39.57 195508



### DURABLACK DOUBLE-SKIRTED STOVETOP ADAPTER

The Double-Skirted Stovetop Adapter is used to connect the DuraBlack stovepipe to appliance flue outlets where the outer wall covers the flue outlet.



### DURABLACK STOVETOP ADAPTER

Use the Stovetop Adapter to connect DuraBlack stovepipe to an appliance flue outlet.

6" dia.	7" dia.	8" dia.	10" dia.
\$40.90 195806	\$85.70 195807	\$41.90 195808	\$60.56 195810

6" dia.	7" dia.	8" dia.
\$28.03 196106	\$58.44 196107	\$38.63 196108

800.722.7230 | ONLINE ORDERING [LINDEMANNCHIMNEYSUPPLY.COM](http://LINDEMANNCHIMNEYSUPPLY.COM)

### TRIM COLLAR

This DuraBlack Trim Collar is used as a decorative collar for stovepipe connections to the chimney.

### SLIP CONNECTOR & TRIM

The Slip Connector & Trim is used to connect DuraBlack stovepipe to 6" - 8" ceiling support boxes, including: DuraTech, DuraPlus, and DuraPlus HTC. This slip connector adjusts from 3" - 13", and provides a strong, mechanical connection.

### DURABLACK COMPONENTS

	6" dia.	7" dia.	8" dia.	10" dia.
<b>TRIM COLLAR</b>	\$18.34 196206	\$46.74 196207	\$29.39 196208	\$48.98 196210
	6" x 14"	7" x 14"	8" x 14"	10" x 14"
<b>SLIP CONNECTOR &amp; TRIM (ADJUST 3" - 13")</b>	\$46.63 195606	\$66.22 195607	\$56.25 195608	\$71.83 195610

### DURABLACK DAMPER SECTION

This Damper Section is 5" long and has the damper pre-installed. It comes with a crimped inner wall which slides into the stove collar ensuring a drip-free connection.

This component should be installed at, or close to, the stove outlet in-line.

6" dia.	7" dia.	8" dia.
\$51.34 195306	\$71.32 195307	\$65.72 195308



### DURABLACK STOVEPIPE ADJUSTABLE ELBOWS

DuraBlack Elbows offset obstructions as needed and come in either 45° or 90° angles. These elbows are adjustable, and manufactured drip-free so creosote travels back to the stove as intended. Not recommended for rear-exit appliances.

	6" dia.	7" dia.	8" dia.	10" dia.
<b>45 DEGREE</b>	\$31.45 195906	\$62.34 195907	\$37.60 195908	\$93.94 195910
<b>90 DEGREE</b>	\$39.74 195706	\$74.45 195707	\$51.94 195708	\$124.66 195710



800.722.7230 | ONLINE ORDERING LINDEMANNCHIMNEYSUPPLY.COM

Prices are subject to change. See our website for the most up to date pricing.



## DURABLACK STOVEPIPE INCREASERS

The Slip Increaser & Trim is used to adapt from 6" Durablack to 8" DuraTech, DuraPlus, or DuraLiner at the ceiling support box or finishing collar. Adds 5" - 15" of length.

These Increasers are used to adapt a smaller, appliance flue outlet to a larger diameter, Durablack stovepipe.

### DURABLACK SLIP INCREASER & TRIM\*

**\$61.34**  
289986

\*Connects from 6" Durablack to 8" Liner

Use to adapt from 6" Durablack to 8" DuraTech, DuraPlus, or DuraLiner at the ceiling support box or finishing collar. Adds 5" - 15" of length.

### DURABLACK INCREASER (MALE TO FEMALE DIMENSIONS)

5" - 6"	6" - 7"	7" - 8"	8" - 10"
<b>\$40.12</b> 196306	<b>\$43.90</b> 196307	<b>\$66.22</b> 196308	<b>\$97.40</b> 195310



## DURABLACK STOVEPIPE TEES

Use the Durablack Tee & Cleanout Cap for rear exit appliances, and appliances that require a barometric damper.

### TEE & CLEANOUT CAP

6" dia.	7" dia.	8" dia.	10" dia.
<b>\$92.54</b> 196006	<b>\$215.50</b> 196007	<b>\$128.18</b> 196008	<b>\$243.34</b> 196010



## HEATFAB SAF-T PIPE

HeatFab Saf-T Pipe is constructed with 22 gauge steel, and is 25% thicker than standard stovepipe, allowing it to last longer. This stovepipe has laser-welded seams to maximize its strength, features a matte black finish, and comes in adjustable and slip connector options. HeatFab's stovepipe is individually wrapped to protect the finish during shipping, and comes with a five-year warranty.



### HEATFAB SAF-T PIPE

	6" dia.	8" dia.
12" LENGTH	\$38.07 345006	\$40.73 345008
18" LENGTH	\$45.09 345106	\$52.23 345108
24" LENGTH	\$51.15 345206	\$62.30 345208
36" LENGTH	\$75.55 345306	\$86.40 345308
48" LENGTH	\$98.76 345406	\$118.29 345408

### SAF-T PIPE TEE (CRIMPED SNOOT)

6" dia.	8" dia.
\$98.52 346006	\$116.67 346008

### TEE CAP

6" dia.	8" dia.
\$52.24 346106	\$69.56 346108

### ELBOWS BLACK

	6" dia.	8" dia.
45 DEGREE	\$50.85 345906	\$53.29 345908
90 DEGREE FIXED	\$58.76 345806	\$63.41 345808
90 DEGREE ADJUSTABLE	\$84.88 345706	\$95.17 345708

### TRIM COLLAR

6" / 12"	7" / 13"	8" / 14"
\$34.62 346206	\$31.29 346207	\$37.77 346208

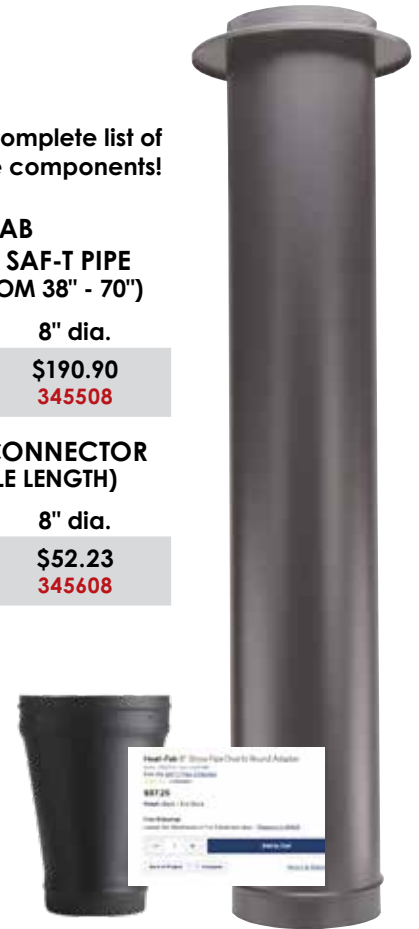
Call for complete list of available components!

### HEATFAB TELESCOPING SAF-T PIPE (TELESCOPES FROM 38" - 70")

6" dia.	8" dia.
\$150.75 345506	\$190.90 345508

### HEATFAB SLIP CONNECTOR (2" - 16" USABLE LENGTH)

6" dia.	8" dia.
\$45.64 345606	\$52.23 345608



### STOVE PIPE OVAL TO ROUND ADAPTER

8"
\$87.25 000000



345005

### SAF-T THIMBLE

5" - 6"	7" - 8"
\$501.85 345005	\$501.85 345007

CHIMNEY LINERS & PIPES



**BLACK  
STOVEPIPE**

**GALVANIZED  
STOVEPIPE**

## SNAP-LOCK STOVEPIPE

### SNAP-LOCK STOVEPIPE BLACK, 24" LENGTHS

This 26 gauge steel, Black, Snap-Lock stovepipe is used for solid-fuel appliances only, and is the perfect option for those budget conscious customers, yet is still heavier, and more durable than stovepipe sold at a discount chain store. When installing, simply snap-lock the seams together and squeeze the top and bottom ends of the seams to secure. This Snap-Lock stovepipe requires an 18" clearance to combustibles.

5" dia.	6" dia.	7" dia.	8" dia.
\$24.71	\$27.63	\$33.41	\$35.14
350705	350706	350707	350708

### SNAP-LOCK STOVEPIPE GALVANIZED 26 GAUGE, 24" LENGTH

These Snap-Lock galvanized stovepipes are great for use with gas or oil applications when recommended, and feature snap-lock seams.

3" dia.	4" dia.	5" dia.	6" dia.	7" dia.	8" dia.
\$15.70	\$16.35	\$15.73	\$17.67	\$15.87	\$26.24
350103	350104	350105	350106	350107	350108

## SNAP-LOCK ADAPTERS

### SNAP-LOCK DRIP-FREE ADAPTER (SLIP CONNECTOR)

The **Drip-Free Adapters** (slip connectors) provide height adjustments from 2" - 10" without cutting, and are painted black, galvanized steel.

6" dia.	7" dia.	8" dia.
\$64.54	\$72.03	\$77.53
351106	351107	351108

The **Snap-Lock Adapters** are constructed with galvanized steel, and have two female ends.

### SNAP-LOCK ADAPTER (TWO FEMALE ENDS)

3" - 4" dia.	3" - 5" dia.	3" - 6" dia.	3" - 7" dia.	4" - 5" dia.	4" - 6" dia.	4" - 7" dia.	4" - 8" dia.
\$23.00	\$19.61	\$19.59	\$22.73	\$24.65	\$17.80	\$29.54	\$23.25
350303	350335	350336	350337	350304	350346	350347	350348
5" - 6" dia.	5" - 7" dia.	5" - 8" dia.	6" - 7" dia.	6" - 8" dia.	7" - 8" dia.	7" - 9" dia.	8" - 9" dia.
\$24.59	\$22.26	\$22.42	\$23.80	\$24.90	\$20.53	\$27.59	\$27.62
350305	350357	350358	350306	350368	350307	350379	350308

800.722.7230 | ONLINE ORDERING LINDEMANNCHIMNEYSUPPLY.COM

## SNAP-LOCK ADAPTERS & CONNECTORS



**SNAP-LOCK MALE CONNECTOR**

This black, Snap-Lock Male Connector includes two crimped male ends, and is used in thimble and tee connections.

6" dia.	7" dia.	8" dia.
\$16.27 351206	\$21.73 351207	\$26.46 351208



**SNAP-LOCK DRAW BAND**

This Snap-Lock Draw Band provides extra pipe joint support and can draw together two slightly different diameter pipes.

6" dia.	7" dia.	8" dia.
\$22.19 351406	\$36.06 351407	\$37.96 351408

## SNAP-LOCK ADJUSTABLE ELBOW

Snap-Lock Adjustable Elbows: offset obstructions as needed, adjust from 0° - 90°, and come in black or galvanized steel options.

**SNAP-LOCK ADJUSTABLE ELBOW  
BLACK**

5" dia.	6" dia.	7" dia.	8" dia.
\$32.99 350805	\$27.10 350806	\$30.77 350807	\$34.79 350808



**SNAP-LOCK ADJUSTABLE ELBOW  
GALVANIZED**

3" dia.	4" dia.	5" dia.	6" dia.	7" dia.	8" dia.
\$9.44 350203	\$10.23 350204	\$13.65 350205	\$15.54 350206	\$20.25 350207	\$32.36 350208



**SNAP-LOCK INCREASER/REDUCER**

These Increaser/Reducers have two female ends, are painted black, and designed to connect two Snap-Lock stovepipes with different diameters. For these components, crimp the ends for drip-free connections.

5" - 6"	6" - 7"	6" - 8"	7" - 8"
\$29.63 351306	\$33.30 351307	\$33.70 351368	\$37.09 351308

800.722.7230 | ONLINE ORDERING [LINDEMANNCHIMNEYSUPPLY.COM](http://LINDEMANNCHIMNEYSUPPLY.COM)

Prices are subject to change. See our website for the most up to date pricing.



## SNAP-LOCK TEES & WYES

Snap-Lock Tees and Wyes are used for connecting: multiple connector pipe lines, 90° offsets, or appliances that require a barometric damper. Tees are available in either black or galvanized steel. Wyes are available only in galvanized steel. Tee Caps are sold separately.

### SNAP-LOCK TEE BLACK

5" dia.	6" dia.	7" dia.	8" dia.
\$49.85 350905	\$51.74 350906	\$54.47 350907	\$69.95 350908

### SNAP-LOCK TEE GALVANIZED

4" dia.	5" dia.	6" dia.	7" dia.	8" dia.
\$41.35 350504	\$46.41 350505	\$49.70 350506	\$55.60 350507	\$60.76 350508

### SNAP-LOCK TEE CAP BLACK

5" dia.	6" dia.	7" dia.	8" dia.
\$22.69 351005	\$22.70 351006	\$25.85 351007	\$26.23 351008



SNAP-LOCK TEE CAP



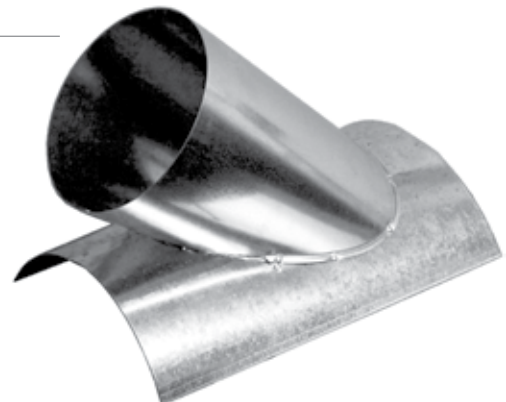
### SNAP-LOCK WYES GALVANIZED

5" x 4" x 4"	5" x 5" x 4"	6" x 4" x 4"	6" x 5" x 4"	6" x 6" x 4"
\$39.53 350512	\$39.53 350513	\$38.47 350509	\$38.47 350511	\$38.47 350510

## SNAP-LOCK VENT SADDLES

Snap-Lock Vent Saddles are constructed of 26 gauge galvanized steel, and provide a 45° "Y" type fitting.

	3" dia.	4" dia.	5" dia.	6" dia.
45 DEGREE	\$22.51 350403	\$26.59 350404	\$33.73 350405	\$32.47 350406



We are utilizing design elements from a mechanical drawing originally created by [Company Name].

## THERMIX

### HOW TO CALCULATE THE AMOUNT OF THERMIX NEEDED:

$$(W \times D \times H) - (L \times H) = \text{TOTAL VOLUME IN INCHES}$$

1728

W = WIDTH OF INNER FLUE

D = DEPTH OF INNER FLUE

H = HEIGHT OF CHIMNEY (25 FT = 300")

L = CROSS-SECTIONAL AREA OF LINER

- Divide  $(W \times D \times H) - (L \times H)$  by 1728 to convert from cubic inches back to cubic feet.

- Divide the final amount by 2.5 cubic feet to see how many bags of TherMix are needed.

L = CROSS SECTIONAL AREA OF LINER

DIAMETER OF THE LINER	L = CROSS SECTIONAL AREA OF LINER
3" DIA.	7.1"
4" DIA.	12.6"
5" DIA.	19.6"
5.5" DIA.	23.8"
6" DIA.	28.3"
7" DIA.	38.5"
8" DIA.	50.5"
9" DIA.	63.5"
10" DIA.	78.5"
11" DIA.	95.0"
12" DIA.	113.0"

### NUMBER OF THERMIX BAGS NEEDED BASED ON 25 FOOT CHIMNEY

FLUE CAVITY SIZE	DIAMETER OF THE LINER										
	3"	4"	5"	5.5"	6"	7"	8"	9"	10"	11"	12"
8" x 8"	5	4	4	4	3	N/A	N/A	N/A	N/A	N/A	N/A
8" x 12"	7	6	6	6	6	N/A	N/A	N/A	N/A	N/A	N/A
10" x 10"	8	7	7	6	6	5	4	N/A	N/A	N/A	N/A
13" x 13"	12	12	11	11	11	10	9	8	7	6	N/A
13" x 17"	16	16	15	15	14	14	13	12	11	10	N/A
17" x 17"	21	20	20	19	19	18	18	17	16	15	13

At left, the Chart provides the number of THERMIX bags based on the inside flue dimension of a 25' chimney.

THERMIX is one of the most widely used insulation components in the industry today, providing superior structural strength and stability to masonry chimneys. This product is UL listed with the SAFEFLEX family of liners, DuraPro and many other liner brands.

When properly applied, TherMix effectively insulates the liner, maintaining consistent liner temperatures. As a result, it reduces

condensation, increases drafting efficiency, and aids in a quick ignition - helping establish draft and greatly reducing spillage.

TherMix comes in bags as a dry insulation mix. When mixed with water, it should have the consistency of damp potting soil.

Each bag of TherMix weighs 40 lbs., and yields 2.5 cubic feet. This product contains vermiculite.



#### Purchase Quantity

1 - 39                      40+

THERMIX - 40 LB. BAG

\$48.00                      \$36.00  
390142                      390142

TherMix bags are shipped on a pallet via freight line - fees may apply.

## LINER INSULATION ACCESSORIES

### SUPERWOOL PLUS INSULATION BLANKET



Superwool Plus Insulation Blanket is a non-ceramic, foil-faced, insulation wrap with thick, 3 mil. aluminum facing. It's used as an insulator for stainless steel liners in masonry and wood burning chimneys - usually taking two wraps of ¼" or one wrap of ½". This product has no UL Listing.

When installing, be sure to order the Stainless Steel Mesh and Wire, Aluminum Foil Tape, Spray Adhesive, and the Make-A-Clamp Kit to easily complete installations. The Superwool Plus Insulation Blanket comes available in 24" (up to 6" dia. liner) and 48" (up to 12" dia. liner) wide options - measuring 25' or 35' long and rated for 2100° F. The Stainless Steel Mesh is great for holding the blankets down on the liner when installing!

	24" x 25'	24" x 35'	48" x 25'
<b>¼" THICK</b>	<b>\$118.77</b> 393024	-	<b>\$228.41</b> 393048
<b>½" THICK</b>	<b>\$163.50</b> 393124	<b>\$224.75</b> 393135	<b>\$327.00</b> 393148

### SUPERWOOL PLUS UN-FACED INSULATION BLANKET

The Superwool Plus Un-Faced Insulation Blanket has many uses including: stuffing in holes, replacing stove baffle blankets, insulating a gas liner, smoke chamber parging preparation, and more. This

insulation blanket has an 8 lb. density, and carries UL723 listing.

Stainless Steel Mesh is great for holding the blankets down on the liner when installing, and works well with TherMix!



	24" x 25'	48" x 25'
<b>½" THICK</b>	<b>\$119.92</b> 393025	<b>\$239.83</b> 393049
<b>1" THICK</b>	<b>\$136.53</b> 393026	-

### STAINLESS STEEL MESH - 25' ROLLS

Stainless Steel Mesh protects and permanently holds insulation blankets when installing liner. The mesh, along with a Make-A-Clamp Kit and Stainless Steel Wire, holds the insulation tightly to the liner - minimizing snagging and tearing of the insulation during liner installation. Stainless Steel Mesh is

constructed with 100% stainless steel and includes a self-tightening feature.

**Small Roll fits: 3" - 6" dia. liners**

**Large Roll fits: 7" - 9" dia. liners**

**X-Large Roll fits: 10" - 12" dia. liners**



	Small	Large	X-Large
	<b>\$56.83</b> 391101	<b>\$75.04</b> 391102	<b>\$102.12</b> 391103

## LINER INSULATION ACCESSORIES

This Stainless Steel Wire is sold in a 1 lb. tub, made with 20 gauge, stainless steel and contains approximately 365 feet. This wire is used to keep mesh down when wrapped around liner during installation.



**STAINLESS STEEL WIRE 1LB. TUB** **\$30.79**  
**391009**



The Make-A-Clamp kit comes in either Mini or Large options. The Mini Kit contains: 8 ½' band, three adjustable fasteners, and one band splice. The Large Kit contains: 50' band, 10 adjustable fasteners, and five band splices.

If required, add an extra box of 10 fasteners, for more clamps.

### MAKE-A-CLAMP KIT

Mini Kit	Large Kit	Extra Fasteners*
<b>\$31.89</b> <b>391001</b>	<b>\$89.19</b> <b>391002</b>	<b>\$46.65</b> <b>391003</b>

\*Box of 10



Don't forget to order some Aluminum Foil Tape! It's used to hold the seams and ends of the insulation, and is great for securing an insulation blanket around a liner.

However, never rely solely on the tape - always use the Stainless Steel Mesh Clamps as well. Tape comes in a roll, 3" x 150' roll.

**ALUMINUM TAPE** **\$29.15**  
**391200**



Spray Adhesive is only used to start the application of insulation to the liner, temporarily holding it in place so you can apply the mesh, wire, etc.

**SUPER 77 SPRAY ADHESIVE** **\$33.40**  
**604301**

**800.722.7230 | ONLINE ORDERING LINDEMANNCHIMNEYSUPPLY.COM**

Prices are subject to change. See our website for the most up to date pricing.

# SAFEFLEX™



## HIGH PERFORMANCE

# STAINLESS STEEL LINERS

ALL FUEL LINERS FOR WOOD, COAL, OIL, AND GAS APPLIANCES



SMOOTH OR CORRUGATED WALLS AVAILABLE

## DRYER DUCTING

DryerFlex™, a safe and effective airflow-efficient dryer transition duct, combines the ease of use and flexibility of wire bound foil flex hose with semi-rigid aluminum flex. It simplifies dryer connections and protects against dangerous kinks and bends. Other ducts bend and kink, restricting the airflow and allowing lint to accumulate in the dryer exhaust system to become a fire hazard.

	4'	8'	25'
<b>DRYERFLEX</b>	<b>\$9.32</b> DFLX4	<b>\$18.52</b> DFLX8	<b>\$57.40</b> DFLX25



## DRYER WALL VENT

Engineered for a quick, perfect fit in any exterior wall, this stylish, well-built vent exceeds all requirements for safe venting. Galvanized steel and powder coated, available in white, tan and brown with intrusion resistant damper and magnets.



	Brown	Tan	White
<b>DRYER WALL VENT, FLUSH MOUNT - 4"</b>	<b>\$32.08</b> DWV4B	<b>\$30.24</b> DWV4T	<b>\$30.24</b> DWV4W

## HOSE CLAMPS



<b>STAINLESS STEEL HOSE CLAMPS - 4 1/2"</b> PACKS OF 20	<b>\$29.09</b> DC420
--	-------------------------

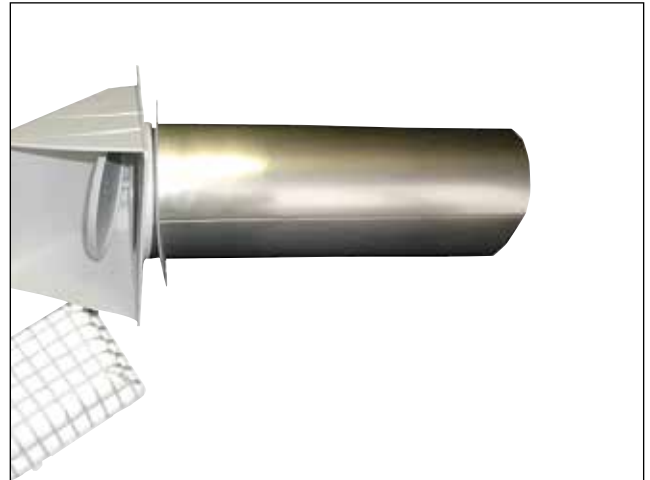
These 100% stainless steel clamps come with a multi-driver screw head (flat, phillips and hex) making the Dryer Clamps easy to install, delivering a more durable and solid dryer connection.

## WIDE MOUTH VENT HOOD

This Wide Mouth Vent Hood has a removable screen for easy cleaning, and includes a flapper mechanism that helps seal out cold air as well as insects.

Wide Mouth Vent Hood - 4"

**\$8.63**  
560003



## UNIVERSAL BIRD GUARD

The Universal Bird Guard keeps birds and pests out of the dryer vent. When installed, it covers 3" - 4" wall mounted dryer vent hoods.

UNIVERSAL BIRD GUARD

**\$9.59**  
560005

## LOUVERED VENT HOOD

The Louvered Vent Hood is a low-profile, dryer vent cover - designed to seal out animals, insects, and rain. The flaps open when the dryer is running, and close when shut-off.

LOUVERED VENT HOOD - 4"

**\$6.95**  
560004



# DAMPERS, CAPS & FANS 80-113



## FEATURED: CUSTOM METAL SHOP

Our team of experts are ready to provide a wide range of custom products and solutions including caps, chase tops, and parts of all shapes and sizes! We're proud to offer high-quality metal goods while delivering the exceptional customer service that you deserve, and have come to expect from Lindemann Chimney!

# 92

### 83



**THE ENERGY TOP**

The Energy Top is virtually invisible from the ground when installed and is excellent at sealing out rain, snow, sleet, and debris!

### 90



**SANDKUHL POT TOPPERS**

Sandkuhl Pot Toppers are hand-crafted in the U.S.A., and are available in a wide range of styles and finishing glosses to bring style to any home!

### 95



**SMARTSTACK CAPS**

Made with stainless steel and available in convenient, stackable, packs of four. The ideal cap for busy technicians! Don't go to work without them.

## TOP SEALING DAMPERS

# U.S. FIREPLACE PRODUCTS

### U.S. FIREPLACE PRODUCTS TOP SEALING DAMPERS

Lindemann Chimney Supply is proud to offer the industry's premier line of top sealing dampers from U.S. Fireplace Products! These high-quality dampers are designed by professional chimney sweeps and guaranteed to provide an energy efficient, and cost-effective option when sealing the top of your chimney. These **five** different damper options provide a wide range of sizes and available accessories, which allows you to find the perfect fit!

Dampers reduce the energy lost from a home up the flue saving the homeowner money, but they do much more. A damper will prevent rain from entering the flue. Water in the flue causes damage from freeze thaw, washes out mortar joints and combines with creosote and soot to increase acids in the flue causing deterioration. By sealing the top of the flue insects, wildlife and debris are also excluded. Damper displays are available for showrooms and home shows



### Energy Efficient Top Sealing Dampers Save You Money!

#### Size of Home & Estimated Yearly Cost to Heat and Cool (directly below)

1000 Sq. Ft.	2000 Sq. Ft.	3000 Sq. Ft.	4000 Sq. Ft.	5000 Sq. Ft.
\$986	\$1450	\$1700	\$2200	\$3200

#### Yearly Savings After Installing an Efficient Top Mount Chimney Damper

10% DAMPER LEAKAGE	\$99	\$145	\$170	\$400	\$500
20% DAMPER LEAKAGE	\$197	\$290	\$340	\$800	\$1000
30% DAMPER LEAKAGE	\$296	\$435	\$510	\$1200	\$1500

These numbers are strictly to illustrate an example of the energy-saving potential. Total cost savings will depend on the home size, fuel costs, climate, and method of heating.



Product Sales Brochures, and Damper Displays available! Call for more details!

800.722.7230 | ONLINE ORDERING [LINDEMANNCHIMNEYSUPPLY.COM](http://LINDEMANNCHIMNEYSUPPLY.COM)



**TOP DAMPER**

**THE TOP DAMPER**



- *Stainless Steel & Aluminum Construction*
- *No Fusible Link / Quick & Easy Install*
- *Energy Efficient / Tight Seal*
- *High Opening / Better Drafting*
- *All Seasons Protection*
- *Economical Pricing*
- *Easily Accessible Handle*
- *Lifetime Warranty*
- *Sales Brochures Available*

The Top Damper seals out rain, snow, and sleet while sealing in "paid" heat and air conditioning. In its closed position, it is virtually invisible from the ground. The stainless steel and lightweight aluminum design ensures that it won't rust or stain your chimney. The Top Damper doesn't require a chimney fire safety device, cutting costs and saving time! The Top Damper's lightweight aluminum lid allows the damper to open higher and close easier, as well as decrease stress on the springs.

The RS Adapter (sold separately) can be used to convert The Top Damper to fit a round liner or solid-pack, class "A" chimney pipe. This damper comes with installation kit, 29' stock cable and handle. The Top Damper carries a limited lifetime warranty and cannot be used with gas logs.

**THE TOP DAMPER SIZING**

**Case Quantity for Top Dampers - 5**

	FLUE TILE DIMENSIONS
8" X 8" FITS	6" X 6" - 9" X 9"
8" X 17" FITS	6" X 14" - 9" X 17½"
9" X 13" FITS	6" X 9" - 9½" X 9½"
13" X 13" FITS	9" X 9" - 12½" X 12½"
13" X 18" FITS	9" X 14" - 12½" X 17½"
18" X 18" FITS	14" X 14" - 17½" X 17½"

	PURCHASE QUANTITY		
	1 - 4	5 - 9	10+
8" X 8"	\$163.03 102688	\$152.12 102688	\$144.50 102688
8" X 17"	\$220.50 102687	\$205.06 102687	\$194.82 102687
9" X 13"	\$174.56 102693	\$160.59 102693	\$154.19 102693
13" X 13"	\$180.07 102633	\$163.86 102633	\$158.95 102633
13" X 18"	\$229.69 102638	\$211.31 102638	\$204.97 102638
18" X 18"	\$266.43 102618	\$250.45 102618	\$237.92 102618

**DAMPERS, CAPS & FANS**



TOP DAMPER INSTALL KIT - NO CABLE*	\$26.00 102801
TOP DAMPER HARDWARE KIT - 50' CABLE*	\$60.00 102800
50' CABLE FITS ALL SIZES	\$26.00 102504

\*Pull chain assembly, keyhole bracket, two nail anchors, allen wrench, and installation instructions. Top Damper Hardware Kits come with conduit tube and cotter pin.

## plus TOP DAMPER

### THE TOP DAMPER PLUS



- Stainless Steel & Aluminum Construction
- No Fusible Link / Quick & Easy Install
- Energy Efficient / Tight Seal
- High Opening / Better Drafting
- All Seasons Protection
- Economical Pricing
- Easily Accessible Handle
- Lifetime Warranty
- Sales Brochures Available



The Top Damper Plus combines the efficiency of The Top Damper with the added protection of a stainless steel cap. This damper seals out rain, snow, and sleet while sealing in "paid" heat and air conditioning, but also provides added animal and debris control. The Top Damper Plus does not require a fire safety device, is made of the same material as The Top Damper allowing for easy operation, and comes completely assembled and ready to install.

The RS Adapter (sold separately) can be used to convert The Top Damper Plus to fit a round liner or solid-pack, class "A" chimney pipe. This damper comes with installation kit, 29' stock cable and handle. The Top Damper Plus carries a limited lifetime warranty and cannot be used with gas logs.

Available with 5/8" California Mesh Add "CA" to desired part number when ordering!

#### THE TOP DAMPER PLUS SIZING

FLUE TILE DIMENSIONS	
8" X 8" FITS	6" X 6" - 9" X 9"
8" X 17" FITS	6" X 14" - 9" X 17½"
9" X 13" FITS	6" X 9" - 9½" X 9½"
13" X 13" FITS	9" X 9" - 12½" X 12½"
13" X 18" FITS	9" X 14" - 12½" X 17½"
18" X 18" FITS	14" X 14" - 17½" X 17½"

#### PURCHASE QUANTITY

DAMPER SIZE	1-9	1-9 5/8" SCREEN	10+
8" X 8"	\$309.26 102788	\$240.39 102788CA	\$294.98 102788
8" X 17"	\$378.35 102787	\$294.10 102787CA	\$360.89 102787
9" X 13"	\$313.87 102793	\$243.98 102793CA	\$299.38 102793
13" X 13"	\$183.10 102733	\$261.36 102733CA	\$166.57 102733
13" X 18"	\$172.16 102738	\$310.47 102738CA	\$167.17 102738
18" X 18"	\$182.43 102718	\$388.73 102718CA	\$171.54 102718



TOP DAMPER INSTALL KIT - NO CABLE*	\$20.52 102801
TOP DAMPER HARDWARE KIT - 50' CABLE*	\$38.92 102800
50' CABLE FITS ALL SIZES	\$20.66 102504
DAMPER CABLE SHIELD - 4'	\$22.68 120600

\*Pull chain assembly, keyhole bracket, two nail anchors, allen wrench, and installation instructions. Top Damper Hardware Kits come with conduit tube and cotter pin.

800.722.7230 | ONLINE ORDERING LINDEMANNCHIMNEYSUPPLY.COM

**ENERGY TOP**  
chimney damper



The Energy Top damper is an energy saving, easy-to-install, top sealing damper that saves on home heating and cooling costs. This damper is so effective, the cost is recouped within 1-3 years! What makes the Energy Top Damper so unique is the soft, pliable, rubber gasket seal attached to the frame that compresses and conforms to the lid when closed. This strong, flexible barrier protects against all elements! Designed with a lightweight aluminum lid and stronger spring, this damper is easier to open and close while still creating an air-tight seal at the top of the chimney.

**ENERGY TOP DAMPER SIZING**

FLUE TILE DIMENSIONS	
8" X 8" FITS	7" X 7" - 10" X 10"
8" X 17" FITS	7" X 15" - 10" X 18"
9" X 13" FITS	7" X 10" - 10" X 13"
13" X 13" FITS	10" X 10" - 13" X 13"
13" X 18" FITS	10" X 15" - 13" X 18"
18" X 18" FITS	15" X 15" - 18" X 18"



102900

**ENERGY TOP DAMPER**



- Preferred By Chimney Professionals
- Stainless Steel & Aluminum Construction
- No Fusible Link / Quick & Easy Install
- 100% Seal / Energy Efficient
- High Opening / Better Drafting
- All Seasons Protection
- Easily Accessible Handle
- Lifetime Warranty
- Sales Brochures Available

The RS Adapter (sold separately) can be used to convert the Energy Top Damper to fit a round liner or solid-pack, class "A" chimney pipe. This damper comes with installation kit, 29' stock cable and handle. The Energy Top carries a limited lifetime warranty, and cannot be used with gas logs.

**Case Quantity for Energy Top Dampers - 5**

	PURCHASE QUANTITY		
	1-4	5-9	10+
8" X 8"	\$180.06 102288	\$162.05 102288	\$153.95 102288
8" X 17"	\$230.72 102287	\$214.56 102287	\$203.84 102287
9" X 13"	\$203.02 102293	\$186.77 102293	\$181.17 102293
13" X 13"	\$208.98 102233	\$192.26 102233	\$188.08 102233
13" X 18"	\$250.49 102238	\$236.29 102238	\$229.20 102238
18" X 18"	\$288.42 102277	\$276.88 102277	\$265.80 102277

ENERGY TOP INSTALL KIT - NO CABLE*	\$24.00 102900
ENERGY TOP HARDWARE KIT - 50' CABLE*	\$48.00 102902
50' CABLE FITS ALL SIZES	\$18.54 102504
DAMPER CABLE SHIELD - 4'	\$22.68 120600

\*Pull chain assembly, keyhole bracket, silicone, two nail anchors, allen wrench, and installation instructions.

**plus**  
**ENERGY TOP**  
chimney damper

## ENERGY TOP PLUS DAMPER



- Preferred By Chimney Professionals
- Stainless Steel & Aluminum Construction
- No Fusible Link / Quick & Easy Install
- 100% Seal / Energy Efficient
- High Opening / Better Drafting
- All Seasons Protection
- Easily Accessible Handle
- Lifetime Warranty
- Sales Brochures Available

The Energy Top Plus damper combines the efficiency of the Energy Top with the added protection of a stainless steel cap. This damper seals out rain, snow, and sleet while sealing in "paid" heat and air conditioning, but also provides added animal and debris control. The Energy Top Plus does not require a fire safety device, is made of the same material as the Energy Top allowing for easy operation, and comes completely assembled and ready to install.

The RS Adapter (sold separately) can be used to convert the Energy Top Plus to fit a round liner or solid-pack, class "A" pipe. This damper comes with installation kit, 29' stock cable and handle. The Energy Top Plus carries a limited lifetime warranty and cannot be used with gas logs.

Available with 5/8" California Mesh Add "CA" to desired part number when ordering!

### ENERGY TOP PLUS DAMPER SIZING

FLUE TILE DIMENSIONS	
8" X 8" FITS	7" X 7" - 10" X 10"
8" X 17" FITS	7" X 15" - 10" X 18"
9" X 13" FITS	7" X 10" - 10" X 13"
13" X 13" FITS	10" X 10" - 13" X 13"
13" X 18" FITS	10" X 15" - 13" X 18"
18" X 18" FITS	15" X 15" - 18" X 18"

### PURCHASE QUANTITY

DAMPER SIZE	1-9	1-9 5/8" SCREEN	10+
8" X 8"	\$270.60 102388	\$287.56 102388CA	\$250.31 102388
8" X 17"	\$373.66 102387	\$382.71 102387CA	\$351.25 102387
9" X 13"	\$312.26 102393	\$318.39 102393CA	\$293.52 102393
13" X 13"	\$318.38 102333	\$339.65 102333CA	\$302.46 102333
13" X 18"	\$368.85 102338	\$379.52 102338CA	\$346.72 102338
18" X 18"	\$473.80 102377	\$494.34 102377CA	\$450.11 102377



102900

\*Pull chain assembly, keyhole bracket, silicone, two nail anchors, allen wrench, and installation instructions.

ENERGY TOP INSTALL KIT - NO CABLE*	\$20.52 102900
ENERGY TOP HARDWARE KIT - 50' CABLE*	\$36.32 102902
50' CABLE FITS ALL SIZES	\$20.66 102504
DAMPER CABLE SHIELD - 4'	\$22.68 120600

800.722.7230 | ONLINE ORDERING LINDEMANNCHIMNEYSUPPLY.COM

## SEAL TIGHT chimney damper



### SEAL TIGHT DAMPER



- 20% Larger Opening than Competition
- Designed with Two Gaskets
- Energy Efficient / Tight Seal
- All Seasons Protection
- Economical Pricing
- Defaults to Open Position
- Easily Accessible Handle
- Lifetime Warranty
- Sales Brochures Available

The Seal Tight damper is a low-profile, top mounted damper constructed of rustproof lightweight aluminum. Designed with a two part, high tech gasket system, this damper provides an extremely effective, air tight seal. The primary gasket sits in a channel inside the damper frame, while the secondary gasket, sits underneath the front portion of the damper lid. These two gaskets provide the most efficient seal possible!

### SEAL TIGHT DAMPER SIZING

		FLUE TILE DIMENSIONS	
8" X 8" FITS	Fits inside flue from:	6 <sup>3</sup> / <sub>4</sub> " X 6 <sup>3</sup> / <sub>4</sub> "	- 9" X 9"
8" X 17" FITS	Fits inside flue from:	6 <sup>1</sup> / <sub>4</sub> " X 14 <sup>1</sup> / <sub>2</sub> "	- 8 <sup>3</sup> / <sub>4</sub> " X 16 <sup>3</sup> / <sub>4</sub> "
9" X 13" FITS	Fits inside flue from:	6 <sup>1</sup> / <sub>2</sub> " X 10 <sup>1</sup> / <sub>2</sub> "	- 9" X 12 <sup>3</sup> / <sub>4</sub> "
12" X 16" FITS	Fits inside flue from:	9 <sup>1</sup> / <sub>4</sub> " X 13"	- 11 <sup>3</sup> / <sub>4</sub> " X 15 <sup>1</sup> / <sub>2</sub> "
13" X 13" FITS	Fits inside flue from:	10 <sup>1</sup> / <sub>8</sub> " X 10 <sup>1</sup> / <sub>8</sub> "	- 12 <sup>3</sup> / <sub>4</sub> " X 12 <sup>3</sup> / <sub>4</sub> "
13" X 18" FITS	Fits inside flue from:	9 <sup>5</sup> / <sub>8</sub> " X 15"	- 12 <sup>3</sup> / <sub>4</sub> " X 17 <sup>1</sup> / <sub>2</sub> "
18" X 18" FITS	Fits inside flue from:	15" X 15"	- 17 <sup>3</sup> / <sub>4</sub> " X 17 <sup>3</sup> / <sub>4</sub> "

	PURCHASE QUANTITY		
	1-4	5-9	10+
8" X 8"	\$297.71 102088	\$279.94 102088	\$271.83 102088
8" X 17"	\$227.89 102087	\$214.28 102087	\$208.07 102087
9" X 13"	\$203.51 102093	\$191.36 102093	\$185.81 102093
12" X 16"	\$199.99 102026	\$185.99 102026	\$167.39 102026
13" X 13"	\$166.07 102033	\$149.50 102033	\$142.50 102033
13" X 18"	\$239.08 102038	\$224.81 102038	\$218.29 102038
18" X 18"	\$191.65 102077	\$180.21 102077	\$174.99 102077

DAMPERS, CAPS & FANS



SEAL TIGHT DAMPER - (8" X 8") CABLE	\$24.00 102505
SEALTIGHT DAMPER (8" X 17" & 18" X 18") CABLE	\$24.00 102506
SEALTIGHT DAMPER CABLE ALL OTHER SIZES	\$24.00 102502
SEAL TIGHT INSTALL-KIT - NO CABLE*	\$24.00 102503
DAMPER CABLE SHIELD - 4'	\$22.68 120600

\*Pull chain assembly, keyhole bracket, silicone, two nail anchors, allen wrench, and installation instructions.

800.722.7230 | ONLINE ORDERING LINDEMANNCHIMNEYSUPPLY.COM

Prices are subject to change. See our website for the most up to date pricing.



## ACCESS PLATES & RS ADAPTERS

THE TOP DAMPER, THE TOP DAMPER PLUS,  
ENERGY TOP, ENERGY TOP PLUS

These Access Plates and RS Adapters are designed to work with the Energy Top, Energy Top Plus, The Top Damper and The Top Damper Plus. The Access Plates make removing these dampers quick and easy for cleaning and maintenance. Holes are pre-drilled in the Access Plates - the bases of the Energy Top Dampers or Top Dampers will need to be drilled when attaching.

The RS Adapter converts these top sealing dampers to cover round flue tiles and are made of stainless steel.

### ACCESS PLATES

8" x 8"	9" x 13"	8" x 17"	13" x 13"	13" x 18"	18" x 18"
\$50.78 102488	\$54.52 102483	\$59.52 102487	\$55.11 102433	\$55.11 102438	\$59.52 102477

### RS ADAPTERS

8" x 8" - 6"
\$60.84 120306

## ACCESS PLATES & CABLES

SEAL TIGHT

These Access Plates, 30' Cables, and 50' Cables are designed to work with the Seal Tight Damper. The Access Plates make removing the Seal Tight Damper quick and easy for cleaning and maintenance. Access Plates and Seal Tights have pre-drilled holes. The pre-drilled holes on the Seal Tights are slightly larger than the tapped holes in Access Plates for easy fitting!



### SEAL TIGHT DAMPER SIZES

	8" x 8"	8" x 17"	9" x 13"	12" x 16"	13" x 13"	13" x 18"	18" x 18"
50' CABLE	\$22.02 102505	\$17.23 102506	\$21.22 102502	\$21.22 102502	\$21.22 102502	\$21.22 102502	\$17.23 102506
ACCESS PLATE	\$35.27 102188	\$38.58 102187	\$35.27 102193	\$38.58 102126	\$39.50 102133	\$38.58 102138	\$47.40 102177

800.722.7230 | ONLINE ORDERING [LINDEMANNCHIMNEYSUPPLY.COM](http://LINDEMANNCHIMNEYSUPPLY.COM)

## THE PREMIER DAMPER CAP



Available with 5/8" California Mesh, Part number has CALI

The Premier Damper Cap is made of 304 stainless steel, has a removable lid for easy access when cleaning, and features an insulated damper cap! The lid provides protection from the elements, limiting ice and snow build-up.

The insulated damper cap is constructed with 1/2" thick insulation, inserted between two pieces of 24 gauge, 304 stainless steel. This fortified insulation prevents home heating and cooling costs from escalating by keeping air from escaping through the chimney flue. The damper cap is sealed tightly with a gasket and bonded with silicone, both of which are made to withstand temperatures ranging from -85° to 450° F. The Premier Damper Cap includes a 50' cable, and is made standard with 3/4" expanded mesh screening, with available California 5/8" mesh screening. This product comes with a lifetime guarantee and cannot be used with gas logs.

## DROP-IN DAMPER

Drop-In Dampers are made of 304 stainless steel. These dampers can be used with flexible or rigid stainless steel liner, and air cooled and solid pack factory built chimneys. The Drop-In Dampers can also be used on round, square or rectangle flue tiles. They are ideal for installations where a standard top mounting damper is not suitable, and can be used with rain caps, top kits, and other accessories. These Drop-In Dampers are recessed 6", include a 50' cable, and come with a lifetime warranty Drop-In Dampers cannot be used with gas logs.

6" dia.	7" dia.	8" dia.	8" x 13"	9" dia.	10" dia.
\$159.56 PDD6	\$156.66 PDD7	\$169.48 PDD8	\$142.39 PDD813	\$191.01 PDD9	\$181.82 PDD10
11" dia.	12" dia.	12" x 12"	13" x 13"	14" dia.	16" dia.
\$223.09 PDD11	\$210.46 PDD12	\$148.02 PDD1212	\$148.81 PDD1313	\$249.80 PDD14	\$261.39 PDD16

## THE PREMIER DAMPER CAP SIZING

FLUE TILE OUTER DIMENSIONS		
9" X 9"	Damper fits	8" X 8" - 10" x 10"
9" X 13"	Damper fits	8" X 12" - 10" x 14"
12" X 12"	Damper fits	11" X 11" - 12" X 12"
12" X 16"	Damper fits	11" X 15" - 13" X 17"
13" X 13"	Damper fits	13" X 13" - 14" X 14"
13" X 18"	Damper fits	12" X 17" - 14" X 19"
16" X 16"	Damper fits	15" X 15" - 17" X 17"
18" X 18"S	Damper fits	17" X 17" - 19" X 19"

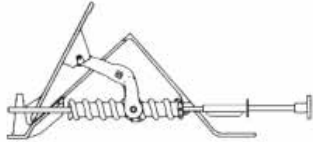
DAMPER SIZE	REGULAR MESH	5/8" CALIFORNIA MESH
9" x 9"	\$229.50 PDC99	\$265.23 PDC99CALI
9" x 13"	\$234.53 PDC913	\$279.74 PDC913CALI
12" x 12"	\$245.33 PDC1212	\$248.93 PDC1212CALI
12" x 16"	\$280.20 PDC1216	\$253.38 PDC1216CALI
13" x 13"	\$270.88 PDC1313	\$290.95 PDC1313CALI
13" x 18"	\$280.20 PDC1318	\$332.23 PDC1318CALI
16" x 16"	\$296.70 PDC1616	\$307.54 PDC1616CALI
18" x 18"	\$296.70 PDC1818	\$343.10 PDC1818CALI



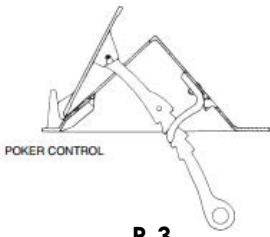
## FIREPLACE THROAT DAMPERS



More damper sizes are available, call us today!



ROTARY CONTROL



POKER CONTROL

P-3

R-1

### VESTAL FIREPLACE DAMPER

ITEM #	THROAT DIMENSIONS	OVERALL DIMENSIONS
850324	24" F X 18" B X 10" D	28" F X 21" B X 13.5" D X 6" H
850330	30" F X 23" B X 10" D	34" F X 25.75" B X 13.5" D X 6" H
850333	33" F X 26" B X 10" D	37" F X 29.75" B X 13.5" D X 6" H
850336	36" F X 29" B X 10" D	40" F X 32.75" B X 13.5" D X 6" H
850342	42" F X 35" B X 10" D	46" F X 38.75" B X 13.5" D X 6" H

F = FRONT WIDTH, B = BACK WIDTH, D = DEPTH H = HEIGHT

	24"	30"	33"	36"	42"
	\$111.53 850324	\$130.00 850330	\$134.79 850333	\$147.46 850336	\$177.58 850342

### REPLACEMENT CAST-IRON DAMPER VALVE PLATE

28.5" x 7"	34.5" x 7"	40.5" x 7"
\$68.79 850436	\$71.65 850442	\$82.60 850448

C-5 CHAIN CONTROL DAMPER HANDLE \$21.44  
850305

P-3 DAMPER CONTROL - POKER STYLE \$27.83  
850303

R-1 DAMPER CONTROL - ROTARY STYLE \$72.07  
850304



### SPIN DAMPER

Spin Dampers have a removable handle that spins the damper open or closed. To install, you will first need to drill holes for the damper handle. To remove the handle, simply turn it to unlock and slide the handle out. **Tier pricing is available, contact us for details.**



8"

\$12.88  
351508

### BAROMETRIC DAMPERS

Barometric Dampers allow air to mix with the heated flue gases from furnaces and boilers reducing draft fluctuations creating a more stable combustion of fuel. These dampers are constructed with galvanized steel and must be installed in a tee snout. These dampers provide settings from .02" - .08" of water column.

4"	5"	6"	7"	8"
\$57.50 400304	\$55.94 400305	\$59.98 400306	\$74.24 400307	\$105.34 400308

800.722.7230 | ONLINE ORDERING LINDEMANNCHIMNEYSUPPLY.COM

## UNIVERSAL DAMPER KITS



The Universal Damper Kit is an adjustable, high-temperature damper plate which includes: high-temperature fiberglass gasket, damper plate with spring assembly, steel cable, and ball chain with weighted handle. This Universal Damper Kit was designed for easy operation, built in the USA, and comes with a lifetime guarantee.

Can only be used with Universal Chimney Caps (Below)

13" x 13"

\$173.23  
150837

13" x 20 1/2"

\$188.48  
150838

## UNIVERSAL CHIMNEY CAP



The Universal Chimney Cap combines durability and function with its unique, inside anchoring system. This chimney cap can be used on chimneys with or without an exposed flue tile. The Universal Cap is constructed with durable, 16 gauge, expanded metal-diamond mesh and a 24 gauge, stamped steel lid. This cap is available in stainless steel or galvanized black finishes, multi-packs, and 5/8" California mesh screening. The Universal Chimney Cap fits square, oval and rectangular flues. When built with stainless steel, this product comes with a lifetime warranty, while galvanized black comes with a seven-year warranty.

Multi packs are available in most sizes.  
13" x 13" caps are available in 5 packs,  
13" x 20" caps are available in 4 packs.  
All caps have a removable lid!

- Anchors for Windy Conditions
- Made in the USA
- Inside Anchor Needs No Tools to Install
- Raised Flue Liner Not Required

### UNIVERSAL CHIMNEY CAP

#### ADJUSTABLE SIZING

13" x 13" damper fits: 8" x 8" - 13" x 13"  
13" x 20" damper fits: 8" x 15" - 13" x 20"

13" x 13"

\$59.90  
150834

13" x 20"

\$110.11  
150836

**GALVANIZED - 3/4" MESH**

**GALVANIZED - 5/8" CALIFORNIA MESH**

**STAINLESS STEEL - 3/4" MESH**

**STAINLESS STEEL - 5/8" CALIFORNIA MESH**

**GALVANIZED MULTI PACK - 3/4" MESH**

**GALVANIZED MULTI PACK - 5/8" CALIFORNIA MESH**

**STAINLESS STEEL MULTI PACK - 3/4" MESH**

**STAINLESS STEEL MULTI PACK - 5/8" CALIFORNIA MESH**

\$63.73  
150834CA

\$124.98  
150836CA

\$159.07  
150833

\$169.63  
150835

\$165.21  
150833CA

\$155.06  
150835CA

\$258.48  
150834-5

-  
-

\$291.37  
150834CA-5

\$352.72  
150836CA-4

\$711.66  
150833-5

-  
-

\$720.14  
150833CA-5

\$570.38  
150835CA-4

## Clay Chimney Pots **Sandkuhl** Traditional Terra Cotta clay works

PRODUCTS DO NOT QUALIFY FOR FREE SHIPPING - MUST CALL FOR QUOTE



Rain Guards - Available in Stainless or Copper



1427



1434



1433



1438



1461

1462

1459

1460

### AVAILABLE COLORS



RG = CLAY RAIN GUARD W/STAINLESS BASE, RGC= CLAY RAIN GUARD W/COPPER BASE

### PRICING FOR SANDKUHL CLAY CHIMNEY POTS

ITEM	HT.	WT.	BASE ID	TOP ID	PRICE	WITH RG*	WITH RGC*
1405	28"	180 LBS.	15½" X 15½"	11"	\$980.10	\$1,521.60	\$2,657.53
1427	12"	68 LBS.	14" X 14"	11" X 11"	\$740.50	-	-
1433	21"	92 LBS.	16"	13"	\$810.97	\$1,390.91	\$1,551.47
1434	31"	130 LBS.	16"	12"	\$629.63	\$1,145.14	\$1,209.87
1438	23"	102 LBS	13½" X 13½"	10"	\$709.09	\$1,250.59	\$1,406.12
1459	24"	46 LBS	6½" X 11"	9" X 6"	\$281.19	-	-
1460	24"	56 LBS	11" X 11"	8" X 8"	\$360.66	-	-
1461	24"	83 LBS	10¾" X 15½"	9" X 11"	\$515.51	-	-
1462	24"	95 LBS	13½" X 13½"	10" X 10"	\$552.20	-	-
1470	21"	60 LBS	11" X 11"	8"	\$572.57	\$1,021.38	\$1,170.63
1471	27"	70 LBS	11" X 11"	8"	\$652.04	\$1,105.14	\$1,250.10

800.722.7230 | ONLINE ORDERING LINDEMANNCHIMNEYSUPPLY.COM

**Clay Chimney Pots**  
*Traditional Terra Cotta*



PRODUCTS DO NOT QUALIFY  
FOR FREE SHIPPING -  
MUST CALL FOR QUOTE



RG = CLAY RAIN GUARD W/STAINLESS BASE, RGC= CLAY RAIN GUARD W/COPPER BASE

**PRICING FOR SANDKUHL CLAY CHIMNEY POTS**

ITEM	HT.	WT.	BASE ID	TOP ID	PRICE	WITH RG	WITH RGC
1472	33"	147 LBS	14½" X 14½"	11"	\$1,057.53	\$1,599.03	\$1,754.56
1472E	33"	163 LBS	14½" X 14½"	11"	\$1,169.60	\$1,711.10	\$1,866.63
1477	45"	288 LBS	18½" X 18½"	14"	\$1,927.59	\$2,507.83	\$2,668.13
1477T	60"	334 LBS	18½" X 18½"	14"	\$2,131.36	\$2,711.60	\$2871.90
1478	26"	223 LBS	22"	19"	\$1,061.71	-	-
1478PL	26"	223 LBS	22"	19"	\$1,061.71	-	-
1479	10½"	46 LBS	14"	12"	\$448.27	\$1,028.51	\$1,188.77
1480	31"	142 LBS	16"	12"	\$741.70	\$1,321.94	\$1,482.20
1481	21"	95 LBS	16"	13"	\$619.44	\$1,199.68	\$1,359.94
1488	10½"	46 LBS	14"	12"	\$448.27	\$1,028.51	\$1,188.77
1489	21"	95 LBS	16"	13"	\$619.44	\$1,199.68	\$1,359.94
1490	31"	142 LBS	16"	12"	\$741.70	\$1,321.94	\$1,482.20

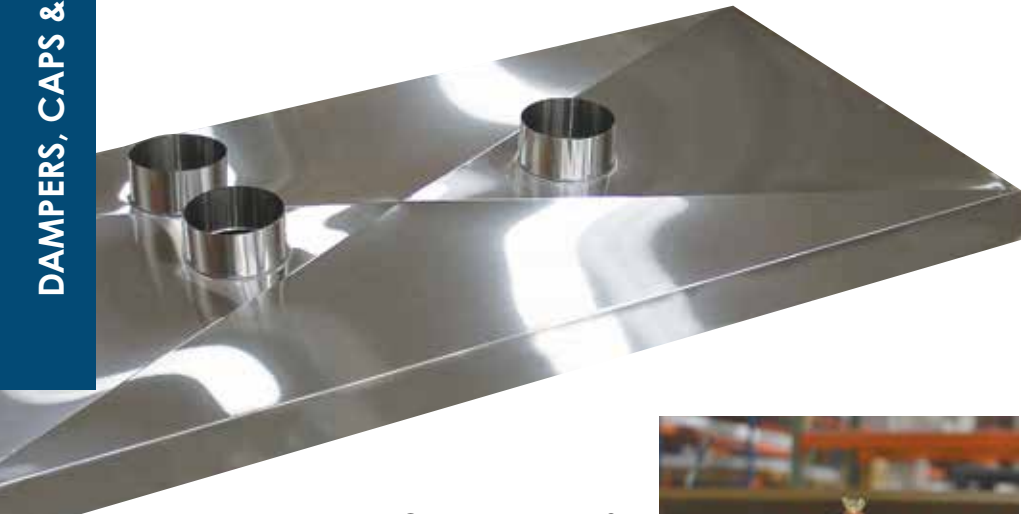
800.722.7230 | ONLINE ORDERING LINDEMANNCHIMNEYSUPPLY.COM

Prices are subject to change. See our website for the most up to date pricing.

# CUSTOM METAL SHOP



DAMPERS, CAPS & FANS



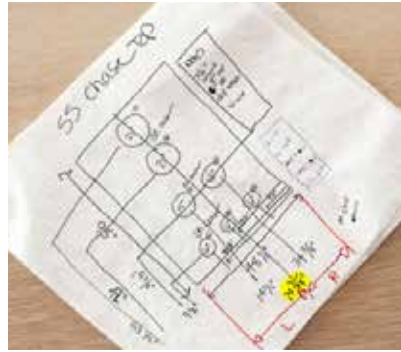
**WHATEVER THE JOB DEMANDS** you can trust in Lindemann Chimney to deliver custom metal products built with precision and care!

We pride ourselves on our ability to craft metal products in any shape, style, and color to meet your individual needs. We aim to exceed your expectations on every order, and guarantee our superior craftsmanship.



800.722.7230 | ONLINE ORDERING [LINDEMANNCHIMNEYSUPPLY.COM](http://LINDEMANNCHIMNEYSUPPLY.COM)

Lindemann Chimney has a full custom metal shop that can build caps, chase tops, or custom parts to fit your job. We fabricate to your specifications in Stainless Steel, Galvanized or Copper. If you can dream it, we can build it!



FROM DRAFT



TO REALITY

## ORDERING CUSTOM CAPS



STAINLESS STEEL



GALVANIZED



COPPER



HIP & RIDGE



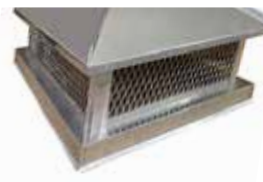
HIP



FLAT



TOP MOUNT



OUTSIDE MOUNT



AVAILABLE HEIGHTS:  
8", 10", OR 12"  
14" & 16" UPCHARGE

**1** MATERIAL

**2** LID STYLE

**3** BASE STYLE

**4** SCREEN HEIGHT

DAMPERS, CAPS & FANS

## ORDERING CHASE TOPS



STAINLESS STEEL



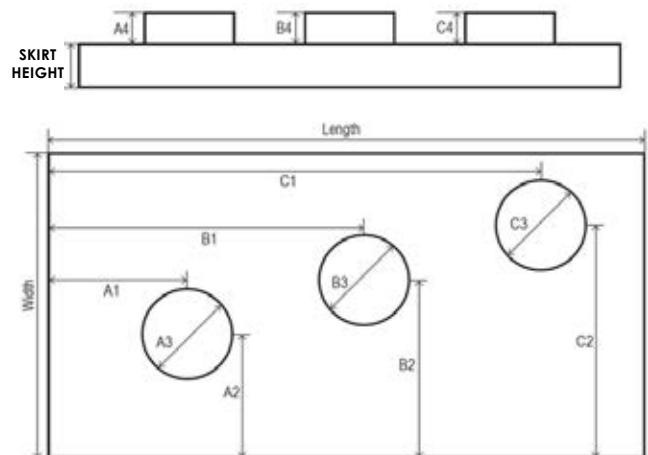
ALUMINUM



GALVANIZED



COPPER



**1** MATERIAL

**2** MEASUREMENTS

800.722.7230 | ONLINE ORDERING [LINDEMANNCHIMNEYSUPPLY.COM](http://LINDEMANNCHIMNEYSUPPLY.COM)

Prices are subject to change. See our website for the most up to date pricing.



# CHASE COVER ORDER FORM

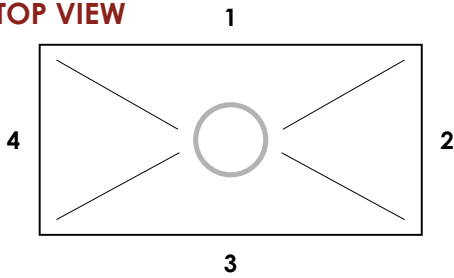
CENTER OF HOLE

COMPANY NAME:	
JOB NAME:	
JOB DATE:	
ORDERED BY:	

INTERNAL USE ONLY	
SALES ORDER:	
ORDER TAKEN BY:	
DATE ORDERED:	

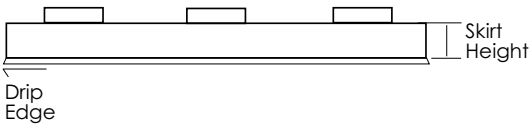
**GENERAL INFORMATION: GIVE ALL DIMENSIONS TO NEAREST 1/8"**

**TOP VIEW**



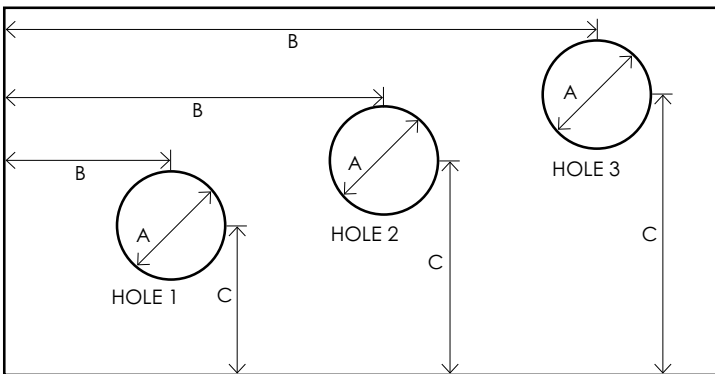
CROSS BREAK STANDARD (SHOWN ABOVE)

**FRONT VIEW**

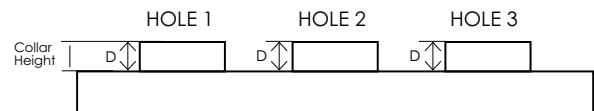


A. METAL			
<input type="checkbox"/> STAINLESS STEEL		<input type="checkbox"/> COPPER	
<input type="checkbox"/> GALVANIZED PAINT GRIP* (POWDER COAT REQUIRED)		<b>ALUMINUM</b> (CHOOSE COLOR BELOW)	
<b>POWDER COAT</b> (CHOOSE COLOR BELOW)		<input type="checkbox"/> STANDARD (NO COLOR)	
<input type="checkbox"/> BLACK		<input type="checkbox"/> BLACK	
<input type="checkbox"/> WHITE		<input type="checkbox"/> BONE WHITE	
<input type="checkbox"/> GRAY		<input type="checkbox"/> CITY SCAPE	
<input type="checkbox"/> OIL RUBBED BRONZE		<input type="checkbox"/> DARK BRONZE	
<input type="checkbox"/> CUSTOM COLOR: _____		<input type="checkbox"/> SIERRA TAN	
		<input type="checkbox"/> STONE WHITE	
B. DIMENSIONS (STANDING SEAMS FOR ANYTHING OVER 60" X 120")			
1. LENGTH:	2. WIDTH:	3. LENGTH:	4. WIDTH:
C. SKIRT HEIGHT (MIN 2.5" MAX 9")			"
D. ADD 1/4" TOLERANCE			<input type="checkbox"/> YES <input type="checkbox"/> NO
E. DRIP EDGE (STANDARD 1/2") (CUSTOMIZE - OPTIONAL)			"

**TOP VIEW**



**SIDE VIEW: COLLAR HEIGHT**



**ALL MEASUREMENTS FROM LEFT TO RIGHT AND BOTTOM UP TO CENTER OF HOLE**

HOLE 1		HOLE 2		HOLE 3	
DIAMETER A	"	DIAMETER A	"	DIAMETER A	"
DISTANCE FROM SIDES	B " C "	DISTANCE FROM SIDES	B " C "	DISTANCE FROM SIDES	B " C "
COLLAR?	<input type="checkbox"/> YES <input type="checkbox"/> NO	COLLAR?	<input type="checkbox"/> YES <input type="checkbox"/> NO	COLLAR?	<input type="checkbox"/> YES <input type="checkbox"/> NO
COLLAR HEIGHT	D (MIN. 1")	COLLAR HEIGHT	D (MIN. 1")	COLLAR HEIGHT	D (MIN. 1")
STORM COLLAR?	<input type="checkbox"/> YES <input type="checkbox"/> NO	STORM COLLAR?	<input type="checkbox"/> YES <input type="checkbox"/> NO	STORM COLLAR?	<input type="checkbox"/> YES <input type="checkbox"/> NO
STORM COLLAR SIZE	"	STORM COLLAR SIZE	"	STORM COLLAR SIZE	"

SPECIAL NOTES OR CRITICAL DIMENSIONS: \_\_\_\_\_

\_\_\_\_\_



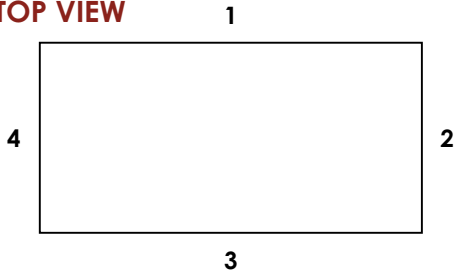
# MULTI-FLUE CAP ORDER FORM

COMPANY	
JOB NAME:	
JOB DATE:	
ORDERED BY:	

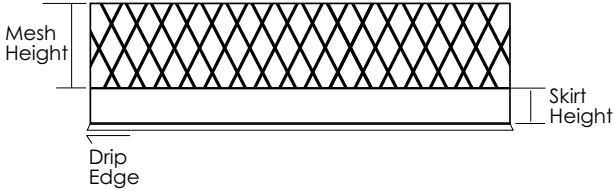
INTERNAL USE ONLY	
SALES ORDER:	
ORDER TAKEN BY:	
DATE ORDERED:	

**GENERAL INFORMATION: GIVE ALL DIMENSIONS TO NEAREST 1/8"**

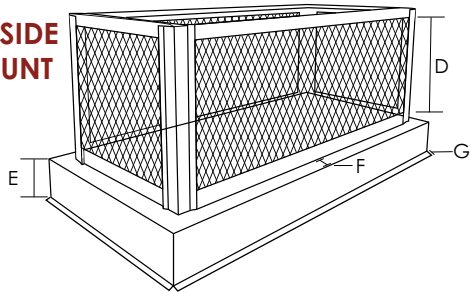
**TOP VIEW**



**FRONT VIEW**

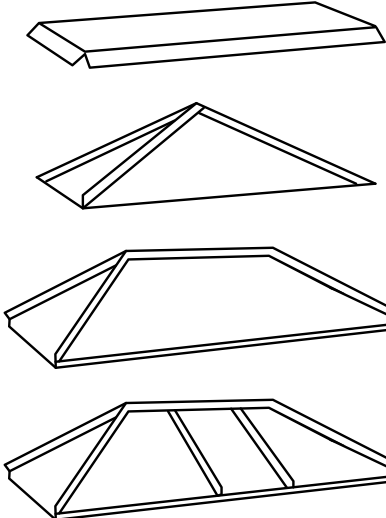


**OUTSIDE MOUNT**



A. METAL			
<input type="checkbox"/> STAINLESS STEEL			
<input type="checkbox"/> COPPER			
<input type="checkbox"/> GALVANIZED PAINT GRIP* (POWDER COAT REQUIRED)			
POWDER COAT (CHOOSE COLOR BELOW)			
<input type="checkbox"/> BLACK		<input type="checkbox"/> GRAY	
<input type="checkbox"/> WHITE		<input type="checkbox"/> OIL RUBBED BRONZE	
<input type="checkbox"/> CUSTOM COLOR: _____			
B. BASE			
<input type="checkbox"/> TOP MOUNT		<input checked="" type="checkbox"/> OUTSIDE MOUNT	
C. DIMENSIONS			
1. LENGTH: " "	2. WIDTH: " "	3. LENGTH: " "	4. WIDTH: " "
D. SCREEN HEIGHT (MIN 5" MAX 18")			" "
E. SKIRT HEIGHT (MIN 2.5")			" "
F. HORIZONTAL WIDTH (STANDARD 2") (OUTSIDE MOUNT ONLY)			" "
G. DRIP EDGE (STANDARD 1/2") (CUSTOMIZE - OPTIONAL)			" "

**LID STYLE**



<input checked="" type="checkbox"/> FLAT (CROSS BREAK STANDARD)
<input type="checkbox"/> HIP
<input type="checkbox"/> HIP & RIDGE
<input type="checkbox"/> HIP & RIDGE W/ STANDING SEAMS

(STANDING SEAMS REQUIRED FOR ANYTHING OVER 80")

OVERHANG	
TOP MOUNT OVERHANG IS MEASURED FROM THE SCREEN. OUTSIDE MOUNT OVERHANG IS MEASURED FROM THE SKIRT.	
<input type="checkbox"/> STANDARD 3IN OVERHANG	
<input type="checkbox"/> CUSTOM OVERHANG	" "
PITCH	
<input type="checkbox"/> STANDARD PITCH 5:12	
<input type="checkbox"/> CUSTOM PITCH	" "

SPECIAL NOTES OR CRITICAL DIMENSIONS: \_\_\_\_\_  
 \_\_\_\_\_  
 \_\_\_\_\_

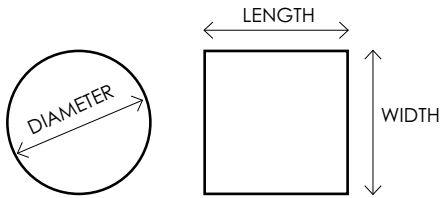


# POT TOPPER ORDER FORM

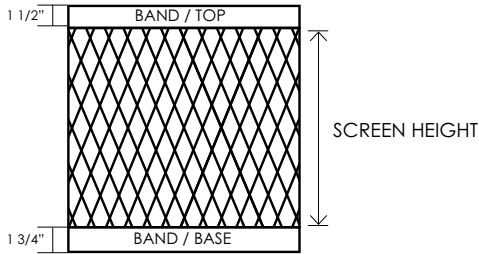
COMPANY NAME:	
JOB NAME:	
JOB DATE:	
ORDERED BY:	

INTERNAL USE ONLY	
SALES ORDER:	
ORDER TAKEN BY:	
DATE ORDERED:	

### TOP VIEW

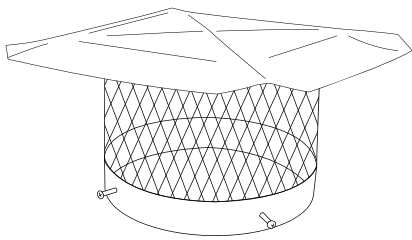


### FRONT VIEW

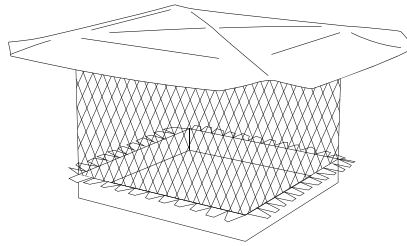


A. METAL		
<input type="checkbox"/> STAINLESS STEEL	<input type="checkbox"/> COPPER	
B. STYLE		
<input type="checkbox"/> ROUND	<input type="checkbox"/> SQUARE (FLAT LID ONLY)	
C. DIMENSIONS		
INSIDE DIAMETER (ROUND):	“	L X W (SQUARE): “
SCREEN HEIGHT (MIN 5" - COPPER MAX 16" - STAINLESS STEEL MAX 20")	“	
D. MOUNT		
<input type="checkbox"/> DROP IN (1" TABS STANDARD)	<input checked="" type="checkbox"/> BOLT ON	
E. LID STYLE		
<input type="checkbox"/> CONE	<input type="checkbox"/> OCTAGON	<input type="checkbox"/> FLAT LID

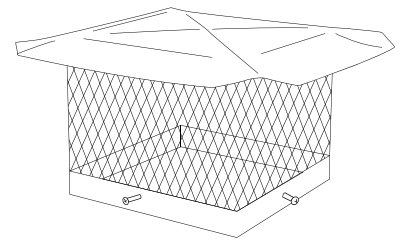
### POT TOPPER EXAMPLES



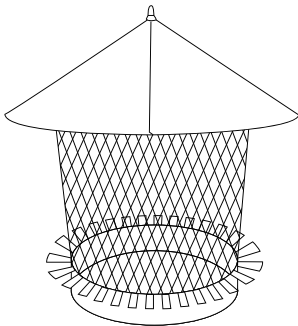
ROUND BOLT ON WITH FLAT LID



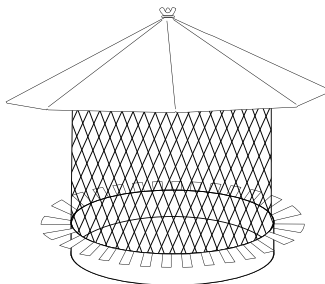
SQUARE DROP IN WITH FLAT LID



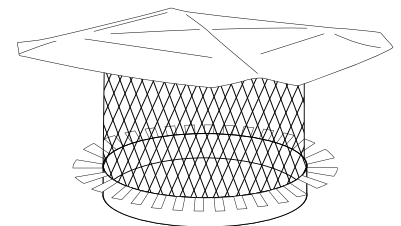
SQUARE BOLT ON WITH FLAT LID



ROUND DROP IN WITH CONE LID



ROUND DROP IN WITH OCTAGON LID



ROUND DROP IN WITH FLAT LID

SPECIAL NOTES OR CRITICAL DIMENSIONS: \_\_\_\_\_

\_\_\_\_\_

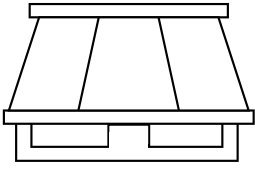
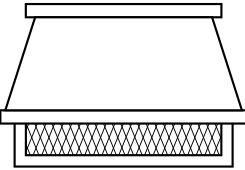
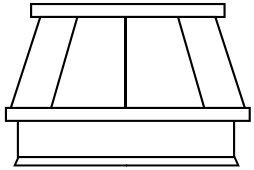
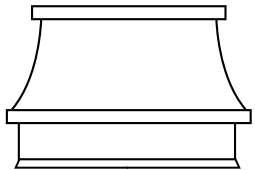
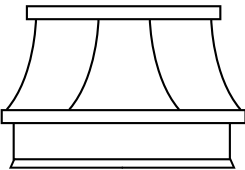
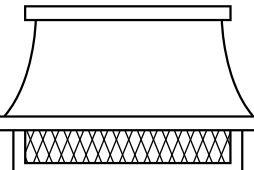
\_\_\_\_\_

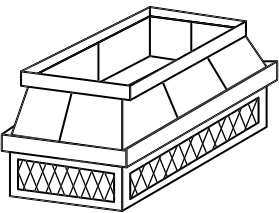
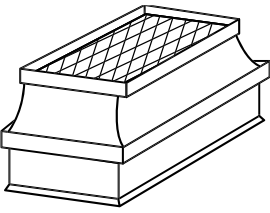
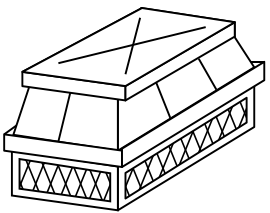
# SHROUD ORDER FORM

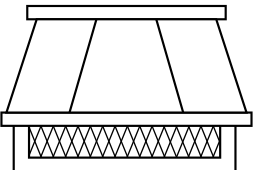
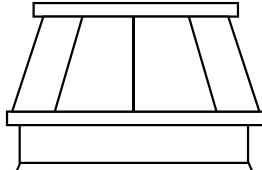
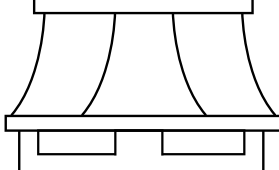
COMPANY NAME:	
JOB NAME:	
JOB DATE:	
ORDERED BY:	

INTERNAL USE ONLY	
SALES ORDER:	
ORDER TAKEN BY:	
DATE ORDERED:	

## A. BUILD / OPTIONS

MOUNT	STYLE	SEAMS
<input type="checkbox"/> TOP MOUNT 	<input type="checkbox"/> ANGLE 	<input type="checkbox"/> STANDING SEAMS 
<input type="checkbox"/> OUTSIDE MOUNT  <small>(INCLUDES 1/2" DRIP EDGE)</small>	<input type="checkbox"/> RADIUS 	<input type="checkbox"/> NO SEAMS 

LID		
<input type="checkbox"/> NO LID 	<input type="checkbox"/> SCREEN LID 	<input type="checkbox"/> FLAT LID 

BASE		
<input type="checkbox"/> SCREEN 	<input type="checkbox"/> NO BASE <small>(OUTSIDE MOUNT ONLY)</small> 	<input type="checkbox"/> OPEN 

## CUSTOM ORDER HY-C CAPS

### HY-C BAND-AROUND BRICK CAPS AVAILABLE IN CUSTOM SIZES & STYLES!

The HY-C Band-Around Brick Caps are only available in stainless steel or aluminum and up to 38" wide and 86" long. The lid overhangs approximately three inches and the cover attaches securely to the chimney with a 2 1/4" draw band. This cap comes with four adjustable corner clamps which provide ample flexibility for proper fit.

#### What is needed to create your custom cap?

- Width of Crown
- Length of Crown
- Tile Height
- Material: Stainless Steel or Aluminum



Custom Caps Do Not Qualify for Free Shipping.

DAMPERS, CAPS & FANS

## SHELTERPRO CHIMNEY CAPS



The ShelterPro Chimney Cap is constructed with 100% 304 stainless steel and built to withstand any weather conditions. This cap features stainless steel, 24-gauge lid, with scalloped corners, and roll-formed edges. This cap has 18 gauge, 3/4" expanded stainless steel mesh and a 16-gauge, stainless steel base. The slotted, hex-head bolts work with the unique, corner mounting attachments designed to provide a secure fit to a masonry flue tile. The ShelterPro Chimney Cap requires no assembly, is available in 5/8" California mesh screening, and has a lifetime limited warranty.

- Made in the USA
- 100% 304 stainless steel
- 7" high screen
- Unique corner mounting attachment provides securest fit to a masonry flue tile
- Lifetime limited warranty



### SHELTERPRO CHIMNEY CAP SIZING

(FLUE TILE OUTER DIMENSIONS)	
9" x 9" cap fits OD liner:	7 1/2" x 7 1/2" - 9 1/2" x 9 1/2"
9" x 13" cap fits OD liner:	7 1/2" x 11 1/2" - 9 1/2" x 13 1/2"
9" x 18" cap fits OD liner:	7 1/2" x 16 1/2" - 9 1/4" x 18 1/4"
13" x 13" cap fits OD liner:	11 1/2" x 11 1/2" - 13 1/2" x 13 1/2"
13" x 18" cap fits OD liner:	11 1/2" x 16 1/2" - 13 1/4" x 18 1/4"
18" x 18" cap fits OD liner:	16 1/2" x 16 1/2" - 18 1/4" x 18 1/4"

Available with 5/8" California Mesh

9" x 9"	9" x 13"	9" x 18"	13" x 13"	13" x 18"	18" x 18"
\$94.25 150499	\$104.18 150493	\$116.31 150498	\$125.46 150433	\$141.47 150438	\$155.62 150488

SHELTER PRO SLIP IN LEG KIT - STAINLESS STEEL

\$16.23  
150400

## CAPS ARE AVAILABLE WITH 5/8" CA. ME

800.722.7230 | ONLINE ORDERING LINDEMANNCHIMNEYSUPPLY.COM

## SMARTSTACK MULTI-PACK, SINGLE FLUE CAPS



- Designed for all season protection
- Made in the USA
- 100% 304 stainless steel
- Multi-pack design allows for easy truck storage
- Easy assembly, lid attaches in seconds with wing nuts
- 16 gauge, stainless steel base for extra strength
- Limited lifetime warranty

**SmartStack Leg Kits Available!**  
Call for More Details!



**Comes with Hardware Package**

### SMARTSTACK CAP SIZING

(FLUE TILE OUTER DIMENSIONS)	
9" x 9" cap fits:	7½" x 7½" - 9½" x 9½"
9" x 13" cap fits:	7½" x 11½" - 9½" x 13½"
9" x 18" cap fits:	7½" x 16½" - 9¼" x 18¼"
12" x 12" cap fits:	10½" x 10½" - 12½" x 12½"
13" x 13" cap fits:	11½" x 11½" - 13½" x 13½"
13" x 18" cap fits:	11½" x 16½" - 13¼" x 18¼"
18" x 18" cap fits:	16½" x 16½" - 18¼" x 18¼"

Our best selling SmartStack Chimney Caps are multi-pack, single flue caps built with 100%, 304 stainless steel, and designed to withstand the toughest weather conditions! The multi-pack configuration allows these caps to be stacked with nested bases, which reduces storage costs.

#### These high-quality caps come in packs of four and feature:

- 24 gauge, stainless steel lid with scalloped corners and roll-formed edges
- 18 gauge, ¾" expanded metal stainless steel mesh
- 16 gauge, stainless steel base for added durability

Included with this product are pointed, stainless steel, slotted hex-head bolts used with the side mounting attachment which provides a secure fit to masonry flue tiles. These SmartStack Chimney Caps come with a limited lifetime warranty.

### SMARTSTACK MULTI-PACK, FOUR CAPS

9" x 9"	9" x 13"	9" x 18"	12" x 12"	13" x 13"	13" x 18"	18" x 18"
\$210.96	\$270.49	\$382.32	\$295.10	\$335.09	\$381.81	\$396.72
720909	720913	720918	721212	721313	721318	721818

### SMARTSTACK HARDWARE PACK

\$23.74  
721506

800.722.7230 | ONLINE ORDERING LINDEMANNCHIMNEYSUPPLY.COM

Prices are subject to change. See our website for the most up to date pricing.

## HY-C SINGLE FLUE CAPS

**Stainless Steel, Single Flue Chimney Caps:** constructed of 100% 304 stainless steel, and designed to withstand the toughest of weather conditions.

**Galvanized, Single Flue Chimney Caps:** black powder coating makes these caps more scratch and rust resistant than black painted caps.

**Copper, Single Flue Chimney Caps:** copper finish, which will age to a patina, blending with other copper features of the house, such as gutters or trim.

The Stainless Steel and Copper Caps come with a lifetime warranty, the Galvanized Steel Caps come with a seven-year warranty.

**These chimney caps' high-quality design includes:**

- 24 gauge lids with scalloped corners and roll-formed edges
- 18 gauge, 3/4", expanded mesh screenings, turned inward for extra protection
- 16 gauge bases for extra durability

These chimney caps use slotted, hex-head bolts to provide a secure and reliable fit. A clamp-on, stainless steel cap is also offered! These caps are made in the USA, and deliver a durable, cost-effective chimney cap solution.

Don't see the size you're looking for? Call us today for custom orders and additional sizing options!

## ROUND, STAINLESS STEEL SINGLE FLUE CAPS

### ROUND, STAINLESS STEEL SINGLE FLUE CAPS - SIZING

(FLUE TILE OUTER DIMENSIONS)			
10" cap fits:	9½" - 10½"		
12" cap fits:	11½" - 12½"		
14" cap fits:	13½" - 14½"		
	10"	12"	14"
	\$130.01 151010	\$142.29 151012	\$154.55 151014



## ROUND, STAINLESS STEEL SINGLE FLUE CAPS - LEGS

### ROUND, STAINLESS STEEL SINGLE FLUE CAPS - LEGS SIZING

(FLUE TILE OUTER DIMENSIONS)			
10" cap fits:	9½" - 10½"		
12" cap fits::	11½" - 12½"		
14" cap fits:	13½" - 14½"		
	10"	12"	14"
	\$146.07 150110	\$158.20 150112	\$171.78 150114



800.722.7230 | ONLINE ORDERING [LINDEMANNCHIMNEYSUPPLY.COM](http://LINDEMANNCHIMNEYSUPPLY.COM)

## HY-C SINGLE FLUE CAPS

ROUND, STAINLESS STEEL SINGLE FLUE CAPS - CLAMP-ON



### ROUND, STAINLESS STEEL SINGLE FLUE CAPS - CLAMP-ON SIZING

(FLUE TILE OUTER DIMENSIONS)	
4" cap fits OD liners:	3½" - 4½"
5" cap fits OD liners:	4½" - 5½"
6" cap fits OD liners:	5½" - 6½"
7" cap fits OD liners:	6½" - 7½"
8" cap fits OD liners:	7½" - 8½"
9" cap fits OD liners:	8½" - 9½"
10" cap fits OD liners:	9½" - 10½"
12" cap fits OD liners:	11½" - 12½"
14" cap fits OD liners:	13½" - 14½"

4"	5"	6"	7"	8"	9"	10"	12"	14"
\$77.40	\$79.22	\$81.02	\$83.67	\$84.50	\$92.58	\$102.17	\$118.16	\$135.26
150504	150505	150506	150507	150508	150509	150510	150512	150514

## SQUARE, STAINLESS STEEL SINGLE FLUE CAPS

### SQUARE, STAINLESS STEEL SINGLE FLUE CAP SIZING

(FLUE TILE OUTER DIMENSIONS)	
9" x 9" cap fits	7½" x 7½" - 9½" x 9½"
9" x 13" cap fits	7½" x 11½" - 9½" x 13½"
9" x 18" cap fits	7½" x 16½" - 9¼" x 9¼"
11" x 11" cap fits	9¾" x 9¾" - 12" x 12"
12" x 16" cap fits	10" x 14" - 12½" x 16¼"
13" x 13" cap fits	11½" x 11½" - 13½" x 13½"
13" x 18" cap fits	11½" x 16½" - 13¼" x 18¼"
15" x 15" cap fits	13¾" x 13¾" - 16" x 16"
18" x 18" cap fits	16½" x 16½" - 18" x 18"



9" x 9"	9" x 13"	9" x 18"	11" x 11"	12" x 16"	13" x 13"	13" x 18"	15" x 15"	18" x 18"
\$95.36	\$109.96	\$137.88	\$121.61	\$164.65	\$149.40	\$196.94	\$177.90	\$211.54
150199	150193	150198	150111	150126	150133	150138	150155	150188

AVAILABLE WITH 5/8" CALIFORNIA MES

800.722.7230 | ONLINE ORDERING LINDEMANNCHIMNEYSUPPLY.COM

Prices are subject to change. See our website for the most up to date pricing.

## GALVANIZED SINGLE FLUE CAPS



ROUND, GALVANIZED SINGLE FLUE CAPS

### ROUND, GALVANIZED SINGLE FLUE CAP SIZING

(FLUE TILE OUTER DIMENSIONS)

8" cap fits OD liners	7½" - 8½"
10" cap fits OD liners	9½" - 10½"
12" cap fits OD liners	11½" - 12½"
14" cap fits OD liners	13½" - 14½"
16" cap fits OD liners	15½" - 16½"
18" cap fits OD liners	17½" - 18½"

	10"	12"	14"	16"	18"
<b>¾" MESH</b>	<b>\$74.56</b> 151110	<b>\$80.28</b> 151112	<b>\$89.30</b> 151114	-	-
<b>⅝" CALIFORNIA MESH</b>	<b>\$81.43</b> CBC10CA	<b>\$85.94</b> CBC12CA	<b>\$95.90</b> CBC14CA	<b>\$91.48</b> CBC16CA	<b>\$95.89</b> CBC18CA

## EXPANDED METAL SCREENING

This stainless steel Expanded Metal Screening can be used for many different applications, such as screening decorative chimneys, and holes in eaves, soffits, or other

areas of the roof. It comes in rolls of 12" x 96" and can be attached with silicone sealant, nails or screws. It's made of heavy, 18 gauge, stainless steel, and features a ¾" opening.



	12" x 96"
<b>EXPANDED METAL SCREENING</b>	<b>\$98.25</b> 101296

## HY-C LEG KITS



Leg Kits are made with heavy, 11 gauge, 304 stainless steel. They are designed to grip the interior of a chimney flue, holding a cap in place with a unique corner mount attachment. These Leg Kits come in sets of four, and are specifically made to work with the Square, Single Flue, Stainless Steel Caps from HY-C. These leg kits are not designed to work with SmartStack multi-pack caps.

<b>LEG KIT - STAINLESS STEEL</b>	<b>SET OF 4</b> <b>\$16.70</b> 150601
----------------------------------	---

## HY-C SINGLE FLUE CAPS

### SQUARE, BLACK SINGLE FLUE CAP SIZING

(FLUE TILE OUTER DIMENSIONS)	
8" x 17" cap fits	6½" x 15½" - 8½" x 17½"
8" x 20" cap fits	6½" x 18½" - 8½" x 20½"
9" x 9" cap fits	7½" x 7½" - 9½" x 9½"
9" x 13" cap fits	7½" x 11½" - 9½" x 13½"
9" x 18" cap fits	7½" x 16½" - 9¼" x 18¼"
9" x 21" cap fits	7¾" x 19¾" - 9" x 20"
10" x 17" cap fits	8" x 15" - 10¼" x 17½"
11" x 11" cap fits	9¾" x 9¾" - 12" x 12"
12" x 16" cap fits	10" x 14" - 12½" x 16¼"
13" x 13" cap fits	11½" x 11½" - 13½" x 13½"
13" x 17" cap fits	11½" x 15½" - 13½" x 17½"
13" x 18" cap fits	11½" x 16½" - 13¼" x 18¼"
13" x 21" cap fits	11½" x 19½" - 13¼" x 21¼"
15" x 15" cap fits	13¾" x 13¾" - 16" x 16"
17" x 21" cap fits	15¾" x 19¾" - 17" x 21"
18" x 18" cap fits	16½" x 16½" - 18" x 18"
20" x 20" cap fits	18" x 18" - 20" x 20"



DAMPERS, CAPS & FANS

	<b>8" x 17"</b>	<b>8" x 20"</b>	<b>9" x 9"</b>	<b>9" x 13"</b>	<b>9" x 18"</b>	<b>9" x 21"</b>
<b>¾" MESH</b>	-	-	<b>\$47.99</b> 150299	<b>\$63.27</b> 150293	<b>\$48.88</b> 150298	-
<b>⅝" CALIFORNIA MESH</b>	<b>\$71.20</b> CBC817CA	<b>\$73.08</b> CBC820CA	<b>\$65.85</b> CBC99CA	-	-	<b>\$74.54</b> CBC921CA
	<b>10" x 17"</b>	<b>11" x 11"</b>	<b>12" x 16"</b>	<b>13" x 13"</b>	<b>13" x 17"</b>	<b>13" x 18"</b>
<b>¾" MESH</b>	-	<b>\$63.74</b> 150222	<b>\$73.40</b> 150226	<b>\$64.41</b> 150233	-	<b>\$81.21</b> 150238
<b>⅝" CALIFORNIA MESH</b>	<b>\$73.67</b> CBC1017CA	-	-	<b>\$77.82</b> CBC1313CA	<b>\$83.05</b> CBC1317CA	-
		<b>13" x 21"</b>	<b>15" x 15"</b>	<b>17" x 21"</b>	<b>18" x 18"</b>	<b>20" x 20"</b>
<b>¾" MESH</b>		-	<b>\$77.82</b> 150255	-	<b>\$88.72</b> 150288	<b>\$94.55</b> 150202
<b>⅝" CALIFORNIA MESH</b>		<b>\$82.66</b> CBC1321CA	-	<b>\$84.66</b> CBC1721CA	<b>\$89.79</b> CBC1818CA	<b>\$96.78</b> CBC2020CA

800.722.7230 | ONLINE ORDERING LINDEMANNCHIMNEYSUPPLY.COM

Prices are subject to change. See our website for the most up to date pricing.

# LINDEMANN

EXPERIENCE THE DIFFERENCE

TOP PRODUCTS  
& NAME BRANDS



STRAIGHT FORWARD  
COMMUNICATION



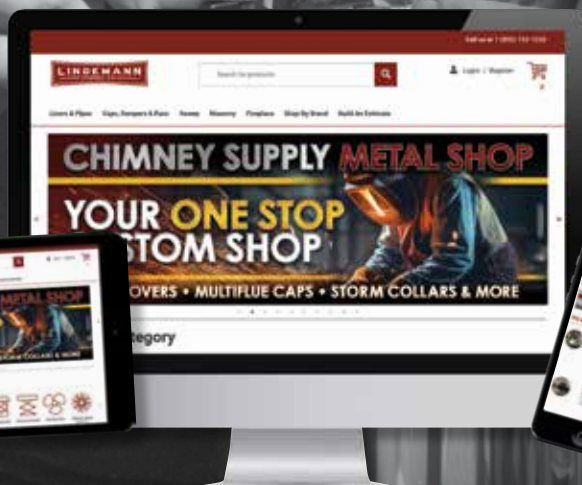
PRODUCTS YOU  
NEED IN STOCK



RELIABLE  
CUSTOMER SERVICE



EASY & FAST  
WEBSITE ORDERING



ORDER ONLINE & SAVE!

LINDEMANNSUPPLY.COM



TAKE CHARGE  
OF THE PARGE &  
STAY SAFE WITH  
**CHAMBER  
SAFE™**



**ZERO  
CLEARANCE**



**WeatherShield Chimney Caps are primarily used to keep rain, snow, animals, leaves, and other debris from entering the chimney!**

## WEATHERSHIELD WSA

More sizes and options online!

The WeatherShield WSA Chimney Cap is a universal, solid pack, factory-built chimney cap used for round stainless steel chimney liners, solid pack factory-built chimney, and Type B gas vent. This cap is constructed of 26 gauge, 304 stainless steel and fits into pipe easily. Simply squeeze the base of the cap, slide it into the pipe, and the cap will grip firmly as it expands outwards.

The WeatherShield WSA Chimney Cap can also be used for masonry chimneys when paired with a masonry adapter (sold separately). These caps have a removable 13" lid (10" cap has 16" lid) and come standard with 1" clog-resistant mesh screens. Caps are also available in 1/2" California mesh. The WeatherShield WSA Chimney Cap is made in the USA, and features a limited lifetime warranty.

**Removable Lid & Available with 1/2" California Mesh!**

3"	4"	6"	7"	8"	9"	10"
\$75.34 141103	\$75.34 141104	\$75.34 141106	\$75.34 141107	\$75.34 141108	\$100.65 141109	\$100.65 141110

## WEATHERSHIELD TDW

More sizes and options online!

The WeatherShield TDW Chimney Cap is a universal, stainless steel cap for air cooled, factory-built chimneys and is the ideal chimney cap for double or triple wall round, and air-cooled chimneys. This cap is constructed of 26 gauge, 304 stainless steel and fits into pipe easily. Simply squeeze the base of the cap, slide it into the pipe, and the cap will grip firmly as it expands outwards.

The WeatherShield TDW Chimney Cap features two collars that prevent moisture entry while still allowing the pipe to cool, making it the perfect protection from animals, debris, and wet conditions. This cap comes standard with removable lid and 1", clog-resistant mesh screen, but is available with a 1/2" mesh screen. The WeatherShield TDW Chimney Cap is made in the USA, and features a limited lifetime warranty.

**Removable Lid & Available with 1/2" California Mesh!**



**WeatherShield Chimney Caps are primarily used to keep rain, snow, animals, leaves, and other debris from entering the chimney!**

	6"	7"	8"	9"	10"
16" LID	\$148.12 141206	\$148.12 141207	\$148.12 141208	\$148.12 141209	\$174.85 141210
19" LID	\$179.40 141206OS	\$179.40 141207OS	\$179.40 141208OS	\$179.40 141209OS	\$186.22 141210OS



**Vacu-Stack Chimney Caps** are primarily used for solving common wind-related chimney draft problems caused by conditions such as hills & mountains, tall trees, or tall buildings nearby.

**VACU-STACK, OVAL** 8" x 12"  
**\$164.43**  
140182

## VACU-STACK VSS

More sizes and options online!

The Vacu-Stack VSS Chimney Caps are designed to reduce wind induced downdrafts. Use for solid pack factory-built chimneys, round chimney liners and Type B gas vent. This cap is constructed of 26-gauge, 304 stainless steel and fits into pipe easily. Simply squeeze the base of the cap, slide it into the pipe, and the cap will grip firmly as it expands outwards.

The Vacu-Stack VSS Chimney Cap can also be used for masonry chimneys when paired with a masonry adapter (sold separately). 1" or 1/2" mesh screens are available as a retrofit item. Vacu-Stack VSS Chimney caps are made in the USA and feature a limited lifetime warranty.

	3"	4"	5"	6"	7"	8"	9"	10"
<b>VSS</b>	<b>\$83.31</b> 140103	<b>\$89.55</b> 140104	<b>\$94.95</b> 140105	<b>\$102.92</b> 140106	<b>\$104.34</b> 140107	<b>\$125.95</b> 140108	<b>\$177.12</b> 140109	<b>\$183.66</b> 140110

## VACU-STACK TDW

More sizes and options online!

The Vacu-Stack TDW Chimney Cap is designed to reduce wind induced downdrafts. Use for air-cooled, factory-built chimneys both double and triple wall. This cap is constructed of 26-gauge, 304 stainless steel and fits into pipe easily. Simply squeeze the base of the cap, slide it into the pipe, and the cap will grip firmly as it expands outwards.

The Vacu-Stack TDW Chimney Cap features two collars that prevent moisture entry while still allowing the pipe to cool, and reduce entry of animals and debris. 1" or 1/2" mesh screens are available as a retrofit item. Vacu-Stack caps are made in the USA and feature a limited lifetime warranty.



**Vacu-Stack Chimney Caps** are primarily used for solving common wind-related chimney draft problems caused by conditions such as hills & mountains, tall trees, or tall buildings nearby.

	6"	7"	8"	9"	10"
<b>TDW 16" LID</b>	<b>\$174.28</b> 140206	<b>\$177.12</b> 140207	<b>\$195.32</b> 140208	<b>\$245.65</b> 140209	<b>\$261.57</b> 140210
<b>TDW 19" LID</b>	<b>\$185.65</b> 140206OS	<b>\$188.49</b> 140207OS	<b>\$206.69</b> 140208OS	<b>\$257.02</b> 140209OS	<b>\$272.94</b> 140210OS

## VACU-STACK ACCESSORIES



	6" or 7"	8" or 8" x 12"	9" or 10"
<b>VACU-STACK SCREENS</b>	<b>\$22.19</b> 140567	<b>\$25.03</b> 140581	<b>\$29.86</b> 140591

**AVAILABLE WITH 1/2" CALIFORNIA MESH!**

## STORMSHIELD STS

More sizes and options online!

The StormShield STS Chimney Cap is intended for solid pack factory-built chimneys round chimney liners and Type B gas vent. This cap is constructed of 26 gauge, 304 stainless steel and fits into pipe easily. Simply squeeze the base of the cap, slide it into the pipe, and the cap will grip firmly as it expands outwards.

The StormShield STS Chimney Cap can also be used for masonry chimneys when paired with a masonry adapter (sold separately). These caps come standard with 17" lids (10" cap has 20" lid) and 1" clog-resistant mesh screens. Caps are also available with 1/2" California Mesh. The StormShield STS Chimney Cap is made in the USA, and features a limited lifetime warranty.



**StormShield STS Chimney Caps are primarily used to prevent chimney drafting issues in coastal areas where high winds, and heavy rain are common! A conversion kit is available to convert WeatherShield caps into StormShield caps!**

	3"	4"	5"	6"	7"	8"	9"	10"
<b>STS</b>	\$122.54 142203	\$122.54 142204	\$122.54 142205	\$122.54 142206	\$122.54 142207	\$122.54 142208	\$155.23 142209	\$155.23 142210

**AVAILABLE WITH 1/2" CALIFORNIA MESH!**



## STORMSHIELD TDW

More sizes and options online!

The StormShield TDW Chimney Cap is designed for air cooled, factory-built chimneys both double and triple wall. This cap is constructed of 26 gauge, 304 stainless steel and fits into pipe easily. Simply squeeze the base of the cap, slide it into the pipe, and the cap will grip firmly as it expands outwards.

The StormShield TDW Chimney Cap features two collars that prevent moisture entry while still allowing the pipe to cool and reduce entry of animals and debris. These caps come standard with 17" lids (10" cap has 20" lid) and 1" clog-resistant mesh screens. Caps are also available with 1/2" California Mesh. The StormShield TDW Chimney Cap is made in the USA and features a limited lifetime warranty.

**StormShield TDW Chimney Caps are primarily used to prevent chimney drafting issues in coastal areas where high winds, and heavy rain are common! A conversion kit is available to convert WeatherShield caps into StormShield caps!**

	6"	7"	8"	9"	10"
<b>TDW</b>	\$228.02 142306	\$228.02 142307	\$228.02 142308	\$228.02 142309	\$237.40 142310

**AVAILABLE WITH 1/2" CALIFORNIA MESH!**

**800.722.7230 | ONLINE ORDERING LINDEMANNCHIMNEYSUPPLY.COM**

Prices are subject to change. See our website for the most up to date pricing.

# EXPERIENCE

## THE LINDEMANN DIFFERENCE

**LINDEMANN**  
CHIMNEY SUPPLY

### OUR CORE VALUES

- INTEGRITY
- EMPOWERMENT
- CUSTOMER CARE
- BUILT TO LAST
- IMPACTING THE WORLD

**ORDER ONLINE & SAVE!**



**FEEDING YOUR FIRE, FUELING YOUR GROWTH**

**LINDEMANNCHIMNEY.COM**



## WEATHERSHIELD TALLBOY

More sizes and options online!

The WeatherShield Tallboy is made for air-cooled chimney pipe, and has a slip collar that extends 15" below the bottom of the lid assembly. Tie down straps (3) are included to secure the cap and eliminate liner "float". The WeatherShield Tallboy is made with 100% 304 stainless steel to ensure a long life, and comes with a lifetime warranty!

Removable Lid & Available with 1/2" California Mesh

	8"	9"	10"	11"	12"
16" LID	\$190.49 141008	\$190.49 141009	\$195.60 141010	- -	- -
19" LID	\$201.86 141008OS	\$206.97 141009OS	\$206.97 141010OS	\$240.25 141011	\$265.26 141012

## VACU-STACK TALLBOY

More sizes and options online!

The Vacu-Stack Tallboy is made for air-cooled chimney pipe, and has a slip collar that extends 15" below the bottom of the lid assembly. Tie down straps (3) are included to secure the cap and eliminate liner "float". The Vacu-Stack Tallboy is made with 100% 304 stainless steel to ensure a long life, and comes with a lifetime warranty!

Available with 1" Standard or 1/2" California Mesh Screens!



	8"	9"	10"	11"	12"
16" LID	\$235.12 140008	\$291.14 140009	\$318.43 140010	- -	- -
19" LID	\$246.49 140008OS	\$303.35 140009OS	\$370.49 140010OS	\$433.29 140011	\$478.77 140012



## STORMSHIELD TALLBOY

**More sizes and options available online!**

The StormShield Tallboy is made for air-cooled chimney pipe, and has a slip collar that extends 15" below the bottom of the lid assembly. Tie down straps (3) are included to secure the cap and eliminate liner "float". The StormShield Tallboy is made with 100% 304 stainless steel to ensure a long life, and comes with a lifetime warranty!

**Available with 1/2" California Mesh!**

	8"	9"	10"	11"	12"
<b>16" LID</b>	<b>\$267.82</b> 142008	<b>\$267.82</b> 142009	<b>\$267.82</b> 142010	-	-
<b>19" LID</b>	<b>\$284.88</b> 142008OS	<b>\$284.88</b> 142009OS	<b>\$284.88</b> 142010OS	<b>\$307.91</b> 142011	<b>\$355.38</b> 142012

<b>6" ROUND / 10 X 10"</b>	<b>\$37.52</b> 140688
<b>6" ROUND / 10" X 14"</b>	<b>\$42.37</b> 140683
<b>7" ROUND / 10" X 10"</b>	<b>\$37.52</b> 140788
<b>7" ROUND / 10" X 14"</b>	<b>\$42.37</b> 140783
<b>8" ROUND / 14" X 14"</b>	<b>\$42.37</b> 140833
<b>10" ROUND / 14" X 14"</b>	<b>\$42.37</b> 141033
<b>12" ROUND / 18" X 18"</b>	<b>\$50.03</b> 140912



## ICP MASONRY ADAPTERS

These ICP Masonry Adapters are used when installing the StormShield, Vacu-Stack, or WeatherShield Chimney Caps on a masonry flue. The adapter slides into the flue and secures with a tightening bar in the corners - seal the plate to the flue tile with high-temperature silicone sealant.

Choose the diameter of the chimney pipe, and the size of the adapter plate that is required for the top of the tile. Please see our website for additional size options.

## PREMIER TOP MOUNT MULTI-FLUE CAPS



The Premier Top Mount Multi-Flue Cap, made with 304 stainless steel, has a top mount design that is easily attached to the top of the chimney crown or brick with chimney top adhesive and tapcons (included). All Premier Top Mount Multi-Flue Caps have a hinged mounting system (piano hinge), that gives extra space for a tight fit. These caps are great at keeping out animals and debris!

## ORDERING YOUR PREMIER TOP MOUNT MULTI-FLUE CAPS:

- 1 Determine the outside dimensions (Width x Length)
- 2 Determine the Height
- 3 Add PT to the front of your dimension and height measurements to get your item number

PT \_\_\_\_\_  
           Width        Length        Height

Example:  
 A cap with 9" width, 13" length, and 10" height - **PT91310**

- 4 Visit our website for ordering options and pricing  
 For ease of ordering, the most common outside dimensions and pricing are listed on the following page.

**Available with 5/8" California Mesh! Larger Size Caps May Not Qualify for Free Shipping.**

**800.722.7230 | ONLINE ORDERING LINDEMANNCHIMNEYSUPPLY.COM**

Prices are subject to change. See our website for the most up to date pricing.

## PREMIER TOP MOUNT MULTI-FLUE CAPS DONT FORGET! OUR CUSTOM METAL SHOP TEAM IS HERE FOR YOU!

AVAILABLE HEIGHTS OF CAPS			
8"	10"	12"	16"

Remember to add PT to the front of your dimension and height measurements to get your item number.

PT \_\_\_\_\_  
 Width                  Length                  Height

**Example:**  
 A cap with 9" width, 13" length, and 10" height - **PT91310**

PREMIER TOP INSTALLATION PACKAGE	\$24.27 PTINSTALLPKG
----------------------------------	-------------------------



**EASY TO INSTALL - ADHESIVE & TAPCONS INCLUDED**

**SAVE TIME AND MONEY AND ORDER YOUR INSTALL PACKAGE WHEN ORDERING YOUR MULTI-FLUE**

DAMPERS, CAPS & FANS



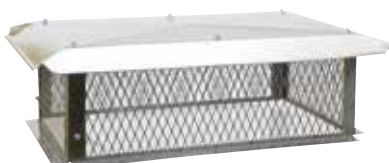
WIDTH



LENGTH



TOP



MUTL-FLUE CAP ASSEMBLED

	WIDTHS OF THE MULTI-FLUE CAP						
	9"	13"	17"	21"	25"	29"	33"
9"	\$96.03						
13"	\$113.11	\$127.69					
17"	\$140.50	\$138.90	\$138.90				
21"	\$160.92	\$168.04	\$168.04	\$215.92			
25"	\$175.17	\$181.49	\$181.49	\$235.25	\$255.41		
29"		\$197.15	\$197.15	\$270.24	\$277.82	\$295.73	
33"		\$197.15	\$206.11	\$271.09	\$295.73	\$315.68	\$416.82
37"		\$212.84	\$212.84	\$295.73	\$315.93	\$336.06	\$437.41
41"		\$221.77	\$239.73	\$289.01	\$338.30	\$356.42	\$378.84
45"		\$266.63	\$266.61	\$338.30	\$358.47	\$376.80	\$399.19
49"		\$277.82	\$277.82	\$351.73	\$378.63	\$397.17	\$419.55
53"		\$362.40	\$293.50	\$365.19	\$399.19	\$417.52	\$439.93
57"		\$309.17	\$309.17	\$385.34	\$419.55	\$419.55	\$537.88
61"		\$380.38	\$383.09	\$407.33	\$439.93	\$458.26	\$558.26
65"		\$396.53	\$396.53	\$427.71	\$460.30	\$478.63	\$578.63
69"		\$421.50	\$442.06	\$462.63	\$480.66	\$499.01	\$599.00

**800.722.7230 | ONLINE ORDERING LINDEMANNCHIMNEYSUPPLY.COM**

## HY-C BIGTOP MULTI-FLUE, GALVANIZED CAPS

Removable Lid!



Each multi-flue cap comes with:

- Tapcon masonry screws
- 10.6 oz. tube of adhesive

The HY-C BigTop Multi-Flue, Galvanized Caps feature a removable, 24 gauge lid which includes weld nuts that won't strip when tightened. This cap is available as either a standard multi-flue cap or knock-down cap, depending on the size. The scalloped corners and roll formed edges on the lid add to the appearance, as well as making handling safer and easier.

The base flange on this cap is 24 gauge, which provides additional strength and stands 8" high after assembly.

HY-C assembles every BigTop before shipping, assuring that the cap doesn't have missing parts or defects, and offers a seven-year warranty.

**LARGER SIZE CAPS MAY NOT QUALIFY FOR FREE SHIPPING.**

### BIGTOP MULTI-FLUE CAP - GALVANIZED, KNOCK-DOWN

14" x 21"	14" x 26"	14" x 30"	14" x 34"	15" x 37"	17" x 29"	17" x 41"	17" x 53"
\$127.50	\$119.10	\$122.28	\$153.51	\$163.30	\$158.92	\$149.22	\$190.18
150241	150246	150240	150245	150257	150279	150271	150273

HY-C BIGTOP MULTI-FLUE CAP - GALVANIZED, STANDARD CAPS ARE AVAILABLE  
CALL FOR PRICING

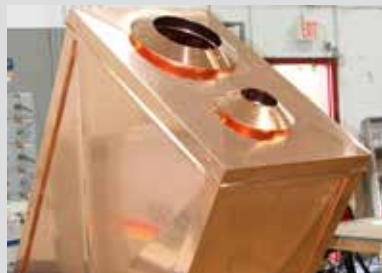


## YOUR ONE-STOP

# CUSTOM METAL SHOP



CHASE COVERS



CUSTOM FABRICATION



MULTI-FLUE CAPS

**HIGH QUALITY DONE RIGHT • PRODUCTS & SERVICE YOU NEED**

800.722.7230 | ONLINE ORDERING [LINDEMANNCHIMNEYSUPPLY.COM](http://LINDEMANNCHIMNEYSUPPLY.COM)

Prices are subject to change. See our website for the most up to date pricing.

## HY-C ANIMAL ROOF VENTGUARDS



Stainless steel or black galvanized Roof VentGuards are constructed with heavy-duty, 18 gauge, 12" high, expanded mesh screening to prevent wildlife from entering your home through roof vents. These VentGuards come in single or three packs, and a variety of sizes. They are easy to install, and provide a clean looking animal protection option.

### ANIMAL & RACCOON SCREEN SIZING

(FLUE TILE OUTER DIMENSIONS)

9" x 9" fits OD liners	7½" x 7½" - 9½" x 9½"
9" x 13" fits OD liners	7½" x 7½" - 9½" x 13½"
13" x 13" fits OD liners	11½" x 11½" - 13½" x 13½"

	16" x 16"	25" x 25"	30" x 30"
<b>STAINLESS STEEL</b>	<b>\$107.41</b> RVG1616	<b>\$201.78</b> RVG2525	<b>\$253.50</b> RVG3030
<b>GALVANIZED</b>	<b>\$38.03</b> RVG1616G	<b>\$77.77</b> RVG2525G	<b>\$76.98</b> RVG3030G

Additional Shipping Charges May Apply.  
Three Packs Available, Call For Details.



Animal Screen



Raccoon Screen

## HY-C ANIMAL SCREENS & RACCOON SCREENS

**Animal Screens** are constructed with heavy-duty, 16 gauge, 5/8" galvanized steel mesh, and are painted black.

**Raccoon Screens** are constructed with 100% 304 stainless steel and feature 18 gauge, 6" high, 5/8" mesh screening with 14 gauge base. This unit features a tamper-proof, bolt-on attachment, and comes available in black, galvanized metal.

	9" x 9"	9" x 13"	13" x 13"
<b>ANIMAL SCREENS</b>	<b>\$26.68</b> 150399	<b>\$32.25</b> 150393	<b>\$39.76</b> 150333
<b>RACCOON SCREENS</b>	<b>\$82.61</b> 151099	<b>\$114.78</b> 151093D	<b>\$156.68</b> 151033D

## HY-C SPARK ANIMAL SCREENS

**HY-C Spark Animal Screens** provide an effective barrier to small animal pests such as birds and squirrels out of your chimney. The entire unit is made from galvanized steel and painted black to resist oxidation. **NO TOOLS NEEDED!** The Screens are easy to install, simply slip the heavy corner fins down into the flue tile. Made in the USA. The screens are made of Heavy 16-Gauge 5/8" Galvanized Steel Mesh.

	10" dia.	12" dia.	14" dia.
<b>ROUND ANIMAL SCREENS</b>	<b>\$30.37</b> 150310	<b>\$36.67</b> 150312	<b>\$40.20</b> 150314



Round Animal Screen

## KW DRAFT CHIMNEY FAN SYSTEMS BY LINDEMANN CHIMNEY SUPPLY



### RCB SHROUDED CHIMNEY FAN

The RCB Shrouded Chimney Fan is designed to mount on solid fuel and category 1 gas chimneys and vents to provide negative pressure throughout the system to ensure the removal of flue gases. The fans mount directly on masonry chimneys, and an adapter is used for metal chimneys. Quietest fan on the market.

Installation is simple and rarely requires an electrician. The fan comes with a 20-foot power cord with a plug; you just need to plug into a standard outlet. A digital controller mounts in the room with the appliance, an included 30-foot low voltage wire is run from the fan to the controller, the connections only need to be plugged together.

These fans are hinged and are opened for easy service and access to the chimney flue and fan blades. The fan housing and impellers are made of 316L stainless steel to prevent corrosion.

The RCB Shrouded Chimney Fans are Listed with and without the optional shroud.

### FEATURES

**Applications** – Solid fuel and category 1 gas flues

**Performance** – Stock fans up to 2200 CFM, special order fans available to 6000CFM

**Construction** – 316L housing and fan

**Motor** – Digitally controlled direct drive motor ensures quiet operation

**Listings and Ratings** - UL/ULc378, Standard for Draft Controls; UL 705, Standard for Safety Power Ventilators; CSA C22.2, Fans and Ventilators; Listed for 1,400°F continuous, 1,800°F intermittent

**Warranty** - Two year mechanical warranty.

Made in America.

KW-RCB007-KIT Model



### STANDARD EQUIPMENT:

COVERED JUNCTION BOX WITH DISCONNECT SWITCH

FAN CONTROL/PRESSURE SENSOR

20 FOOT POWER CORD WITH PLUG

30 FOOT LOW VOLTAGE WIRE

TAPCON SCREW KIT:  
(INCLUDES TAPCONS, DRILL BIT AND DRIVER)

SEALANT TUBE

( CALL LINDEMANN FOR SIZING )

### DIMENSION INFORMATION

MODEL	RCB007	RCB015	RCB025
BASE SIZE (INCHES)	18 x 18	20 x 20	22 x 22
WEIGHT	30LBS.	45LBS.	60LBS.
VOLTAGE	120	120	120
AMPS	6.25	6.25	12.8
CFM	750	1500	2200

DAMPERS, CAPS & FANS

<b>KW DRAFT CHIMNEY FAN</b>	\$3,108.75 KW-RCB07	\$3,423.75 KW-RCB15	\$4,398.75 KW-RCB25
<b>KW DRAFT CHIMNEY SHROUDS</b>	\$275.00 LCFAB 007-KW	\$275.00 LCFAC 015-KW	\$275.00 LCFAB 025-KW

800.722.7230 | ONLINE ORDERING LINDEMANNCHIMNEYSUPPLY.COM

Prices are subject to change. See our website for the most up to date pricing.

## ENERVEX CHIMNEY FAN SYSTEMS

ENERVEX Chimney Fans are exhaust fans specifically designed for applications where efficient operation, low noise level, low energy consumption, variable speed and compact design are of utmost importance. They should be installed at the termination point of a solid fuel chimney or stack system and can be mounted on masonry or metal chimneys. Although they are typically mounted vertically, sidewall venting may be an option as well. These chimney fans assure a negative pressure is maintained in the entire chimney or stack system during operation as these fans discharge at a high velocity. ENERVEX fans are compact, and barely visible from the ground but may also be hidden behind chimney top enclosures such as chimney caps, shrouds, cupolas, etc.

These fans are hinged and the top can be opened for easy service and access to the chimney flue and fan blades. The housing is made of 3/16" thick stainless steel and finished with one coat of black paint for added corrosion resistance. The fan blades are stainless steel, dynamically and statically balanced to assure low noise level and operate vibration-free.

The motor is a split capacitor, totally enclosed, Class "H" insulated and in the IP54 Protection Class. The motor also features sealed ball bearings, variable speed control and thermal overload protection.

### STANDARD EQUIPMENT:

- 2" x 2" or 4" x 4" Junction Box, Cover & Conduit
- Fiber Mat & Mounting Brackets
- Bird Screen
- 5-Amp Fan Speed Control

Visit the **Enervex website for sizing information**  
[www.enervex.com](http://www.enervex.com)

- Quiet operation
- Easy, no-mess installation
- Compact design, barely visible from ground level
- Available in four sizes
- UL 378 Standard for Draft Equipment
- CSA-CAN3-B255-M81 Standard for Mechanical Flue Gas Exhausters
- Two-year factory warranty; ten-year corrosion perforation warranty



RSHT Model

The **RSHT Chimney Fan** is for use with wood, pellet, or coal applications where flue gas temperatures do not exceed 1400° F for intermittent operation, and 1000° F for continuous operations.

	RSHT-9	RSHT-12	RSHT-14	RSHT-16
	12" x 12"	14" x 14"	16" x 16"	19" x 19"
<b>ENERVEX CHIMNEY FAN - RSHT</b>	<b>\$2,613.45</b> 130109HT	<b>\$3,085.52</b> 130112HT	<b>\$3,295.80</b> 130114HT	<b>\$4,786.02</b> 130116HT

RS Model

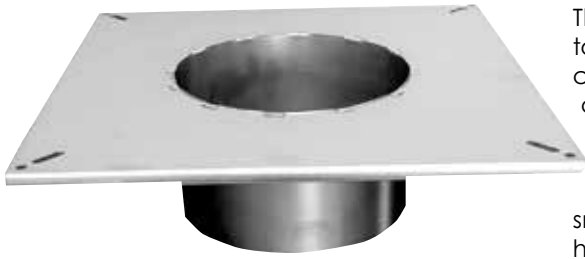


	RS-9	RS-12	RS-14	RS-16
	12" x 12"	14" x 14"	16" x 16"	19" x 19"
<b>ENERVEX CHIMNEY FAN - RS</b>	<b>\$1,874.52</b> 130109	<b>\$2,631.53</b> 130112	<b>\$2,810.81</b> 130114	<b>\$4,082.82</b> 130116

The **RS Chimney Fan** is for use with gas and oil appliances where flue gas temperatures do not exceed 575° F for intermittent operation and 482° F for continuous operation.

**800.722.7230 | ONLINE ORDERING LINDEMANNCHIMNEYSUPPLY.COM**

## ENERVEX ADAPTERS FOR RS & RSHT



These ENERVEX SCA and ASCA Steel Chimney Adapters are used to provide support for the installation of an RS model or RSHT model chimney fan on a round steel chimney pipe (SCA), or a round, air-cooled steel chimney pipe (ASCA). These adapters are mounted at the chimney termination point, consist of a square mounting plate to support the fan, and a round collar that can slide into the chimney for a tight fit. The outer diameter of the collar is 1/8" smaller than the inner diameter of the chimney. The ASCA Adapters have a 5" collar that eliminates the need to secure the adapter externally.

### SCA CHIMNEY FAN ADAPTERS

	5"	6"	8"	10"	12"	14"	16"
RS/RSHT-9 ADAPTER	\$388.80 130905	\$388.80 130906	\$388.80 130908	\$368.08 130910	- -	- -	- -
RS/RSHT-12 ADAPTER	- -	\$388.80 131206	\$388.80 131208	\$368.08 131210	\$397.54 131212	\$397.54 131214	- -
RS/RSHT-14 ADAPTER	- -	\$324.37 131206	\$344.21 131208	\$311.99 131210	\$467.83 131212	\$467.83 131214	- -
RS/RSHT-16 ADAPTER	- -	- -	- -	\$467.83 131610	\$467.83 131612	\$467.83 131614	\$467.83 131616

### ASCA CHIMNEY FAN ADAPTERS

	5"	6"	8"	10"	12"	14"	16"
RS/RSHT-9 ADAPTER	\$478.66 151905	\$478.66 151906	\$478.66 151908	- -	- -	- -	- -
RS/RSHT-12 ADAPTER	- -	\$471.81 151906	\$486.26 151908	- -	- -	- -	- -
RS/RSHT-14 ADAPTER	- -	- -	\$503.41 151408	\$503.41 151410	- -	\$503.41 151414	- -
RS/RSHT-16 ADAPTER	- -	- -	- -	\$503.41 151610	\$503.41 151612	- -	\$503.41 151616



## KW DRAFT CHIMNEY FAN SYSTEMS

IN STOCK & READY -TO-SHIP  
BY LINDEMANN CHIMNEY SUPPLY





This damper is designed to work equally well without an ENERVEX Chimney Fan and used as a replacement for zero clearance fireplace dampers

## ENERVEX FIREPLACE DAMPERS FOR RS & RSHT

The Mechanical Fireplace Damper (MFD, automated) for the RS model chimney fan is used for gas-fired applications. It is used as a component in a combined fan and damper system, whose actuator can be interlocked to a control (ADC100 or ADC150) so operation occurs only when the fireplace is in use.

The Manual Fireplace Damper (MFD-S, manual) for the RSHT model chimney fan is used for solid fuel applications. This damper is designed for chimney top installations, and manually operated as a gravity actuated fireplace damper for round chimneys. The MFD-S damper is operated with a pull chain and handle (included), which is mounted in the fireplace.

	8"	10"	12"	14"	16"
<b>MECHANICAL FIREPLACE DAMPER</b> RS-9 & RS-12	\$1,834.03 132808	\$1,923.85 132810	\$2,066.02 132812	- -	- -
<b>MECHANICAL FIREPLACE DAMPER</b> RS-14 & RS-16	\$1,908.17 132908	\$2,066.02 132910	\$2,208.73 132912	\$2,281.88 132920	\$2,636.14 132930
<b>MANUAL FIREPLACE DAMPER</b> RSHT-9 & RSHT-12	\$928.67 ENE3808	\$1,010.42 ENE3810	\$1,082.74 ENE3812	- -	- -
<b>MANUAL FIREPLACE DAMPER</b> RSHT-14 & RSHT-16	\$1,035.70 ENE3908	\$1,125.88 ENE3910	\$1,209.78 ENE3912	\$1,291.53 ENE3914	- -

## ENERVEX FAN SYSTEM CONTROLS FOR RS & RSHT

The ADC100 Fan & Damper Control is used with the RS model to control draft in a gas fireplace where modulation is not required.

The ADC150 Modulating Fan & Damper Control monitors the draft in a chimney system by modulating the fan speed.

The EFC 211 Fan Control used with RSHT models, monitors and maintains proper draft in solid-fuel appliances by monitoring the speed of a chimney fan, and features an audible/visual alarm.

The Fan Speed Control can also be purchased as a replacement if needed, or in lieu of the EFC 211 when building the EcoDamper Draft & Damper System for solid fuel appliances.

**ADC100 CONTROL** \$856.16  
130111

**ADC150 CONTROL** \$1,810.62  
130117



**FAN SPEED CONTROL\*** \$69.85  
130101



\*INCLUDED WITH RS AND RSHT CHIMNEY FANS



**EFC 211 - MOTOR SPEED CONTROL & ALARM** \$989.21  
130104



**PROVEN DRAFT SWITCH** \$244.94  
130110

ORDER TODAY FROM



# COLOR CODED CHIMNEY RODS & BRUSHES



ADAPTERS • POWER SWEEP KITS & MORE



# CHIMNEY SWEEP EQUIPMENT

## 130-177



## FEATURED: ROD STATION

Whether you're a professional chimney sweep or a DIY enthusiast, these RodStation rods and other top-quality products are the perfect tool for effective and thorough power sweeping.

## 131-139

### 154



#### BUTTONLOK SPIN HANDLES

ButtonLok Spin Handles are designed to rotate, providing the user with a safer handle when power sweeping or tile breaking.

### 162



#### VIPER SYSTEMS

Viper systems are the perfect cleaning tools for large chimneys, ducts, and pipe works with their modular design and range of available brushes, and accessories

### 174



#### ACS CREOSOTE REMOVAL

Anti-Creo-Soot is an environmentally safe, nontoxic, effective liquid agent that turns dangerous creosote into harmless ash.



**ROD STATION CHIMNEY ROD & BRUSHES**

The 39-inch Flexible PowerSweeping Anodized Rods by RodStation are expertly designed for efficient chimney cleaning in flexible liners and metal chimney systems. With 3/8", 1/2", and 9/16" co-polymer diameters, these high-quality rods provide exceptional flexibility and control, making it easy to navigate tight or curved flues. Built for durability, their anodized finish ensures long-lasting performance.

Whether you're a professional chimney sweep or a DIY enthusiast, these RodStation rods are the perfect tool for effective and thorough power sweeping.

**FLEXIBLE RODS**

<b>3.2 FT. GREEN FLEXIBLE ROD - 1/4"</b>	<b>\$43.83</b> 766101
<b>3.2 FT. PINK FLEXIBLE ROD - 3/8"</b>	<b>\$44.45</b> 766102
<b>3.2 FT. ORANGE FLEXIBLE ROD - 1/2"</b>	<b>\$45.40</b> 766103
<b>3.2 FT. RED FLEXIBLE RED - 9/16"</b>	<b>\$47.96</b> 766104

**FLUEBOSS® FLEXIBLE VENT SHAFT**

The Flueboss Flexible Vent Shaft offers precision and efficiency with a rotating shaft encased in a durable nylon sheath. Its lightweight, flexible design allows for smooth navigation through 90-degree bends, ideal for reaching tight or hard-to-access areas. Each end features convenient single-button female and male connections for quick, secure attachment to your preferred power brush or Flueboss head. Available in a 118" length, this versatile tool is perfect for dryer vents.

**Kit includes: Flueboss Head and drill adapter.**

<b>FLUEBOSS® FLEXIBLE VENT SHAFT - 118"</b>	<b>\$277.29</b> 766403
---	---------------------------



SWEEP EQUIPMENT

**RIGID RODS**

The RodStation Black Rigid Rod (3/4", 3.2ft) is built for heavy-duty power sweeping, offering exceptional strength and durability for chimney maintenance. Designed to efficiently clean rigid flues and metal chimney systems, this rod provides maximum control and stability, making it ideal for professional use.

Its high-quality construction ensures longevity, while the rigid design allows for deep, thorough cleaning without flexing.

<b>3.2 FT. BLACK RIGID ROD - 3/4"</b>	<b>\$49.84</b> 766106
---------------------------------------	--------------------------

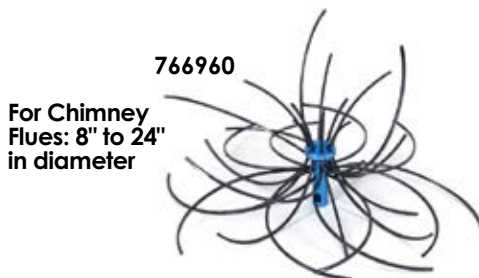
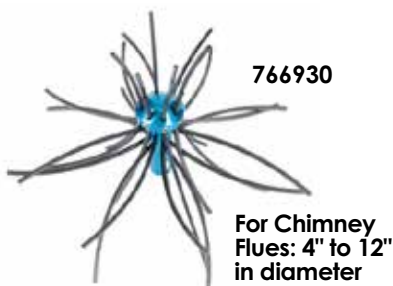
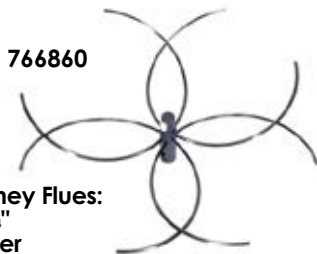


## RIGID RODS WITH STAINLESS STEEL FITTINGS

39 inch **Rigid Rod** with stainless steel ferrules for enhanced strength and durability. With a 25/32" co-polymer diameter, it's perfect for powersweeping with a liner breaker and for more aggressive chimney cleaning.



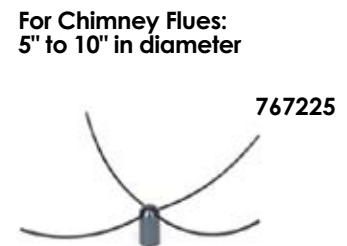
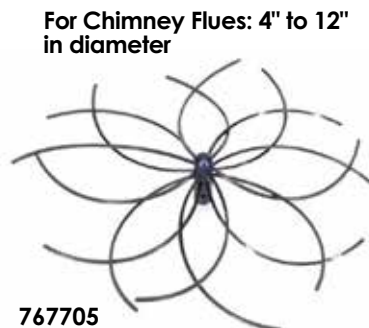
**3.2 FT. RIGID ROD 25/32" STAINLESS STEEL FITTINGS** **\$64.17**  
**766220**



## FLUEBOSS® POWERSWEEPING HEADS

FLUEBOSS® NYLON LARGE - 19 3/4"	<b>\$84.18</b> <b>767706</b>
FLUEBOSS® NYLON EXTRA LARGE - 24"	<b>\$123.78</b> <b>766860</b>
FLUEBOSS® NYLON XXL - 12"	<b>\$126.05</b> <b>766930</b>
FLUEBOSS® NYLON XXL - 24"	<b>\$148.84</b> <b>766960</b>
FLUEBOSS® NYLON SHAFT - 12"	<b>\$80.25</b> <b>767705</b>
FLUEBOSS® LOW PROFILE - 10"	<b>\$64.40</b> <b>767225</b>

The **FlueBoss Nylon PowerSweeping Heads** include a domed head that facilitates smooth passage through the flue while minimizing the risk of snagging on flue liners. Recommended for: Insulated Metal Chimney Systems, Ceramic Liners, Pumice Liners and, Masonry Flues.



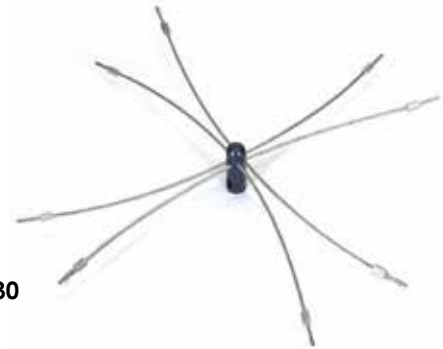
**800.722.7230 | ONLINE ORDERING LINDEMANNCHIMNEYSUPPLY.COM**



**FLUEBOSS® POWERSWEEPING HEADS**

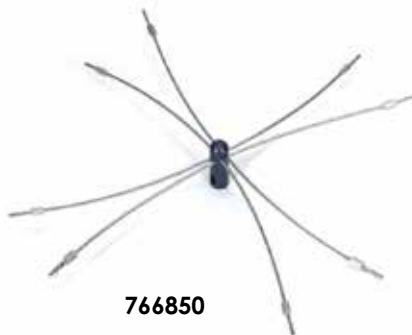
**FLUEBOSS® CABLE SMALL - 12"** **\$80.25**  
**766830**

**FLUEBOSS® CABLE LARGE - 19 3/4"** **\$84.18**  
**766850**



766830

**FlueBoss Cable Small** suitable for use on masonry and ceramic flues for removing heavy deposits of creosote and tar in diameters of 8 inches up to 12 inches (head diameter 12 inches). Heavy duty 4mm stainless steel flexible cable. Recommended for ceramic chimney liners and masonry chimney systems.



766850

**FlueBoss Cable Large** suitable for use on masonry and ceramic flues for removing heavy deposits of creosote and tar in diameters of 8 inches up to 19 3/4 inches (head diameter 19 3/4 inches). Heavy duty 4mm stainless steel flexible cable. Recommended for ceramic chimney liners and masonry chimney systems.

**FLUEBOSS® CABLE LOOP HEADS**



766850

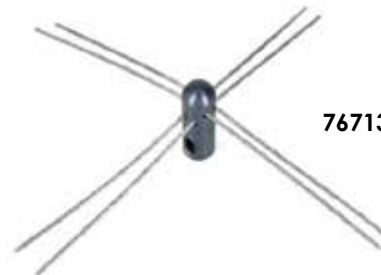
**FLUEBOSS® CABLE LOOP SMALL - 12"** **\$78.67**  
**766830**

**FLUEBOSS® CABLE LOOP LARGE - 19 3/4"** **\$82.05**  
**766850**

**The FlueBoss Cable** is a heavy-duty chimney cleaning tool, engineered for removing tough creosote and tar deposits from masonry and ceramic flues. Made with a 4mm (5/32") stainless steel flexible cable, it ensures deep, aggressive cleaning even in challenging chimney systems.

- Heavy-duty 4mm (5/32") stainless steel flexible cable, Ideal for tackling heavy creosote and tar buildup, Perfect for masonry and ceramic flue, suitable for both commercial and residential chimneys. Recommended for: ceramic chimney liners and masonry chimney systems and drainage applications.

**FLUEBOSS® ABRASIVE**



767130

**FLUEBOSS® ABRASIVE SMALL - 12"** **\$80.25**  
**767130**

**FlueBoss Abrasive** is designed for masonry and ceramic flues to remove lighter creosote and tar deposits in flue diameters ranging from 8" to 19 3/4" (head diameter 19 3/4"), the 3mm abrasive grit is encapsulated in the nylon filament, providing additional abrasion to effectively tackle stubborn creosote buildup. Recommended for: Ceramic chimney liners, masonry chimney systems, flexible liners and insulated metal chimney systems.

## POWER CHAIN & POWER CABLE POWERSWEEPING HEADS

POWER CHAIN SMALL - 12"	\$80.25 767330
POWER CHAIN EXTRA LARGE - 16"	\$98.79 767340
POWER CHAIN LARGE - 19 <sup>3</sup> / <sub>4</sub> "	\$84.18 767350
POWER CHAIN SHAFT - 12"	\$80.25 766430
POWER CHAIN HEAVY DUTY S/S SMALL - 12"	\$89.66 766730
POWER CHAIN HEAVY DUTY S/S LARGE - 19 <sup>3</sup> / <sub>4</sub> "	\$98.79 766750
POWER CABLE HEAVY DUTY S/S SMALL - 12"	\$89.66 767801
POWER CABLE HEAVY DUTY S/S SMALL - 19 <sup>3</sup> / <sub>4</sub> "	\$98.79 766950

## POWER CABLE POWERSWEEPING HEADS

**Heavy Duty Small Power Cable Flail** is designed for use on masonry and ceramic flues to remove heavy deposits of creosote and tar. It accommodates flues with diameters ranging from 8" to 11<sup>3</sup>/<sub>4</sub>" (head diameter 12"). Constructed with a heavy-duty 6mm stainless steel flexible cable. The Heavy Duty Small Power Cable flail is not suitable for use on metal chimneys or flexible chimney liners.

**Heavy Duty Large Power Cable Flail** is designed for masonry and ceramic flues, ideal for removing heavy deposits of creosote and tar in flue diameters from 8" to 19<sup>3</sup>/<sub>4</sub>" (head diameter 19<sup>3</sup>/<sub>4</sub>"). Constructed with a heavy-duty 6 mm stainless steel flexible cable. The Heavy Duty Large Power Cable flail is not suitable for use on metal chimneys or flexible chimney liners.

## POWER CHAIN POWERSWEEPING HEADS

None of the Power Chains are suitable for metal chimneys or flexible chimney liners. They are each designed to remove heavy deposits such as bird nests and tar and creosote. On all of them, the chain is easy to replace by simply releasing the chain link.

**The Small Flail Chain** has a 11<sup>3</sup>/<sub>4</sub>" overall diameter when spinning and its made from heavy-duty stainless steel.

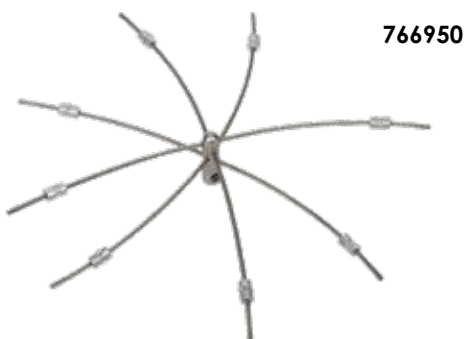
**The Flail Chain Extra Large** provides extra abrasion for glazed creosote and prevents chain wrapping around the lead rod. It has a 15<sup>3</sup>/<sub>4</sub>" diameter when spinning.

**The Large Flail Chain** has a spinning diameter of 19<sup>3</sup>/<sub>4</sub>" and is constructed from durable stainless steel.

**The Small Flail Chain Shaft** has a spinning diameter of 11<sup>3</sup>/<sub>4</sub>" and is constructed from heavy-duty stainless steel. This Power Chain Shaft can be integrated between connecting rods or paired with additional power heads.

**The Small Heavy Duty Power Flail Chain** has a 11<sup>3</sup>/<sub>4</sub>" spinning diameter and it's made from full stainless steel.

**The Large Heavy Duty Power Flail Chain** is designed with a 19<sup>3</sup>/<sub>4</sub>" spinning diameter and made from full stainless steel.





**FLUEBOSS® ADAPTERS**

Stainless steel power drill adapter is used to connect a suitable drill to the Flueboss range of Powersweeping rods.



**DRILL ADAPTER STAINLESS STEEL WITH SHANK**

**\$36.16**  
**766701**

**FLUEBOSS® ACCESSORIES**

Chimney power rod rotating handle for use when manually rotating the power sweeping rods.



**ROTATING HANDLE**

**\$46.34**  
**767207**

**REPLACEMENT FLUEBOSS® ACCESSORIES**

Stainless steel replacement chain for the Power Chain head, sold in 39 inch lengths. FlueBoss replacement nylon whip line, available in 39 inch increments. Replacement 4mm stainless steel cable for Power Cable head, available in 39 inch increments.

**REPLACEMENT FLUEBOSS CHAIN - SOLD PER 1M**

**\$15.55**  
**767501**



**767501**

**REPLACEMENT FLUEBOSS NYLON - SOLD PER 1M**

**\$5.15**  
**767502**



**767502**

**REPLACEMENT FLUEBOSS CABLE - SOLD PER 1M**

**\$6.55**  
**767503**



**767503**

**POWER GRIP HANDLE**

Power grip rotating handle with stainless steel male and female ferrule and shaft allowing the handle to stay still while the power rods rotate. Designed to reduce exposure to spinning rods.

**POWER GRIP HANDLE**

**\$95.68**  
**766401**



**766401**

## FLUEBOSS® SINGLE BUTTON POWER BRUSHES

### FLUEBOSS® SOFT MEDIUM POWER BRUSHES

<b>8 - 14" SOFT/MEDIUM POWER BRUSH</b>	<b>\$59.91</b> <b>765408</b>
--	---------------------------------



### FLUEBOSS® SOFT MEDIUM AND MEDIUM HARD POWER BRUSHES

<b>8" SOFT/MEDIUM MIX SINGLE BUTTON</b>	<b>\$42.68</b> <b>765908</b>
---	---------------------------------

<b>8" MEDIUM/HARD MIX SINGLE BUTTON</b>	<b>\$42.68</b> <b>766008</b>
---	---------------------------------

<b>12" MEDIUM/HARD MIX SINGLE BUTTON</b>	<b>\$52.86</b> <b>766012</b>
--	---------------------------------



**DESIGNED FOR EFFICIENT CHIMNEY SWEEPING, OFFERING A VERSATILE SIZE RANGE TO ACCOMMODATE VARIOUS FLUE DIAMETERS.**

Featuring a blend of soft and medium bristles, this brush provides gentle yet effective cleaning, making it ideal for delicate liners and surfaces that require extra care. Its power brush design enhances sweeping efficiency while ensuring thorough soot and creosote removal. Built for durability and ease of use, this brush is a must-have for professionals and homeowners alike.

**The RodStation 8" Soft/Medium Mix Single Button Brush** is designed for gentle yet effective chimney cleaning, making it ideal for delicate or less stubborn soot buildup.

Featuring a blend of soft and medium bristles.

**The 8" Medium/Hard Mix Single Button Brush** is expertly designed for efficient and thorough chimney cleaning, offering a perfect blend of medium and hard bristles for optimal soot and creosote removal. Ideal for both professional chimney sweeps and homeowners, this high-quality brush ensures maximum durability and performance. Its single-button lock system allows for secure and easy attachment to rods, making sweeping more effective.

**The 12" Medium/Hard Mix Bristle Power Brush** is designed for efficient power sweeping of 8-inch to 12-inch masonry chimneys and clay liners. Featuring a protective ball end, this brush ensures a thorough clean while preventing damage to the chimney structure. Built for durability and performance, it connects directly to the Rodstation powersweeping button lock system, allowing for secure and hassle-free operation.



**POWER KITS & POWERSWEEPING KITS**



**BIOMASS POWER KIT**

The Rodstation Biomass Powersweeping Kit is ideal for cleaning smaller diameter vents (2-4in). Primary usage is dryer vents and bio mass flues. Kit includes:

- 10 x 39 inch 5/16" Superflexi rods
- Drill Connector
- 1 x FlueBoss Nylon extra small
- 1 x FlueBoss Cable extra small
- 118" FlueBoss Nylon
- Heavy-duty rod bag
- Free large & small Van Stickers included

**BIOMASS POWER KIT**

**\$731.66**  
**767600**



**DRYER VENT BRUSHES**

The Rodstation Dryer Vent brush has a worm screw design which assists in pulling the brush and rods through the vent to remove lint buildup. Designed for dryer vent cleaning. This brush has a standard attachment to be used with our dryer vent shaft kit.

**DRYER VENT CLEANING BRUSH 3"**

**\$39.65**  
**767803**

**DRYER VENT CLEANING BRUSH 4"**

**\$40.94**  
**767804**

**DRYER VENT CLEANING BRUSH 5"**

**\$42.55**  
**767805**

**LINER POWER KIT**

Upgrade your chimney cleaning with the Rodstation Chimney Liner Powersweeping Kit, designed for flexible liners and insulated chimney systems. Featuring 1/2" flexible, yet strong rods, this kit ensures a thorough and efficient cleaning.

**LINER POWER KIT**

**\$666.22**  
**767602**

**CERAMIC LINER POWER KIT**

**\$778.29**  
**767603**

LINER POWER KIT



CERAMIC LINER POWER KIT



## PROFESSIONAL POWER KIT

Upgrade your chimney cleaning game with the Rodstation Professional Power Kit—a premium all-in-one solution combining the Liner Power Kit and Open Fire Kit. Designed for efficiency and versatility, this kit includes orange rods for flexible liners and black rods for larger open fires and inglenooks. It features high-quality co-polymer, aluminum, and flexible rods, along with a comprehensive set of FlueBoss cleaning heads, chain flails, and single and twin-angle scrapers to tackle any chimney cleaning task.



**PROFESSIONAL POWER KIT**

**\$2,773.15**  
767606

## OPEN FIRE KIT

The Rodstation Open Fire Powersweeping Kit, is designed for cleaning larger open fires and inglenooks, offering enhanced rigidity. Kit includes:

- 10 x 39 inch 11/16" Rigid rods
- 1 x Drill connector
- 1 x FlueBoss Nylon large
- 1 x FlueBoss Nylon Shaft
- 1 x FlueBoss Chain Large
- 1 x Single angled scraper
- 118" FlueBoss Nylon
- Free heavy-duty rod bag
- Free large & small Van Stickers



**OPEN FIRE KIT**

**\$920.80**  
767609

## MINI VENT KIT FOR DRYER & PELLET VENTS

An economy kit designed for dryer and pellet vents, Contains 4 1/4" x 39" rods, drill adapter and 4" brush head.

**MINI VENT KIT**

**\$256.59**  
767802



## DOUBLE WORM SCREW

Double Worm Screw: To assist removing birds nests or retrieving rods, fits directly to push button rods.



**DOUBLE WORM SCREW**

**\$32.67**  
767200

**800.722.7230 | ONLINE ORDERING LINDEMANNCHIMNEYSUPPLY.COM**



**SINGLE NEST HOOK**

Heavy duty single nest hook designed to assist removing birds nests with protective ball top.

**SINGLE NEST HOOK**

**\$32.67**  
767201



**SMALL TILE BREAKER**

Small tile breaker 4" x 4" 3/8" thick mild steel plate only use with rigid rods, use of breakers invalidate Rod Station warranty.

**SMALL TILE BREAKER**

**\$59.82**  
767209



**TILE BREAKER LARGE OFFSET**

Large tile breaker 4"x6" in, 3/8" thick mild steel plate this offset breaker allows a more powerful breaking action within the chimney, only use with rigid rods, use of tile breakers invalidate Rod Station warranty.

**TILE BREAKER LARGE OFFSET**

**\$65.33**  
767211



**POWER HAMMER TILE BREAKER**

Heavy duty power hammer for removal of tile liners. To be used with 25/32" stainless steel fitting rods.

**POWER HAMMER TILE BREAKER**

**\$96.13**  
767500

## WÖHLER VIDEO INSPECTION SYSTEMS



### WÖHLER VIS 700 - INSPECTION CAMERA

The Wöhler VIS 700 offers exactly what professionals have been waiting for: razor sharp high definition images, a focus function for precise inspection, and wireless locating. The Wöhler VIS 700 is the ideal inspection camera for waste water pipes, flue gas and venting lines as well as chimneys! Featuring the latest in digital, high-resolution sensors assures amazing sharp images for you and your customer. The Wöhler VIS 700 offers chimney professionals the ability to plan their maintenance services based on clearly visible facts. The display level indication ensures you keep orientation in the pipe or chimney while the camera display shows the camera head position and angle for ease of navigation.

High definition images are displayed for you on the brilliant, touch screen high-resolution monitor. The Wöhler VIS 700 is designed to transmit live video data to smart devices via Wireless LAN allowing you to conduct an inspection and have the option to stream live images and videos to a smartphone or tablet. You can also save all footage to an SD card for review later.

The focus function via touch screen or joystick makes it possible to control focus depth allowing you to easily target issues in the pipe or flue. The precisely calibrated joystick ensures an accurate, crystal clear image on the screen. Additional settings and extras, such as the touch screen keyboard, are accessible by tapping the touchscreen monitor.

### WÖHLER VIS 700 - INSPECTION CAMERA

**\$7,610.40**  
501500



The GS 300 Gas Sniffer from Wöhler is a highly sensitive, and quick responding, gas detection product for leakage detection of gas lines carrying combustible gases. This product features an acoustic signal and vibration alarm to display even the smallest of leaks! Able to detect concentrations from 0 to 1200 ppm, this device is the perfect safety tool when working with natural or liquefied gas installations.

### GS 300 GAS SNIFFER

**\$209.57**  
501210

800.722.7230 | ONLINE ORDERING [LINDEMANNCHIMNEYSUPPLY.COM](http://LINDEMANNCHIMNEYSUPPLY.COM)

## WÖHLER VIDEO INSPECTION SYSTEMS

### WÖHLER VIS 500 INSPECTION CAMERA



The VIS 500 Inspection Camera is the perfect camera system for horizontal or vertical inspections. The new technology allows you to proceed even more purposefully during operation. The VIS 500 exchangeable camera heads allow you full control of pan & tilt via the key pad. In addition, you can take and save still photos at the press of a button! The precise distance and position of the camera head is displayed on screen at all times, allowing you to make an accurate assessment of where the damage is present.

This camera includes a color TFT monitor 4GB internal memory and USB stick option. The camera's WLAN interface makes it possible to view images and videos in the large camera display simultaneously with your smart phone or tablet. Modular in design, the VIS 500

allows 360 degree pan and 180 degree tilt, electronic position and angle indication, and light-intensive function with 1.5" flexibility, for inspecting tubes 2.7". High brightness and flexible mini camera, manual LED control and electronic distance counting are included along with a lithium ion battery with up to 6 hours of charge.

- Perfect for either vertical or horizontal inspections
- Adjustable LED lighting
- Modular system – choose individual components to upgrade your system
- Waterproof rotate, pan - tilt camera head
- Intuitive handling with uniform operating concept as part of the VIS series

#### WÖHLER VIS 500 - INSPECTION CAMERA

**\$6,186.48**  
**501450**

#### WÖHLER VIS 500 ACCESSORIES

#### GLASS DOME & PROTECTION SLEEVE - 1.5" DIA.

**\$199.63**  
**501321**

#### SUPPLEMENTARY LIGHT - 1.5" CAMERA HEAD

**\$525.80**  
**501322**

#### REPLACEMENT DOME - POLYCARBONATE PACK OF 10

**\$120.54**  
**501320**

#### REPLACEMENT CAMERA HOLDER ARM SET OF 4

**\$18.38**  
**501311**

#### CAMERA ROLLER

**\$309.04**  
**501319**

#### CAMERA HOLDER

**\$562.17**  
**501317**

## WÖHLER VIDEO INSPECTION SYSTEMS

Wöhler Video Endoscopes are the ideal tools for inspecting inaccessible cavities such as roof insulation, exhaust pipes, sinks, and fireplaces. The VE 400 is able to inspect openings from 5.5 mm.

### VE 400 Video Endoscope

- Large HD Color Display
- LED's for illumination of the inspection surrounding
- Transmits images and video data via WiFi
- Snapshot function
- Video recording
- Works with compatible devices (such as netbooks, smartphone, tablet)
- 40" gooseneck cable
- Variable light intensity of the flashlight for illumination of cavities



VE 400 connects to all your WiFi enabled devices!



**WÖHLER VE 400 - VIDEO ENDOSCOPE**

**\$417.92**  
**501405**

### WÖHLER VE ACCESSORIES

**PROBE, VE 200 - 2 METERS**

**\$87.94**  
**501403**

**800.722.7230 | ONLINE ORDERING LINDEMANNCHIMNEYSUPPLY.COM**

## INSPECTION MIRRORS

This Inspection Mirror from Wöhler is 4" x 6" with a 3" x 6" mirror surface. It features heavy-duty construction with a handle that telescopes from 14" - 40", and a leatherette cover that protects the mirror. Also available is the Wöhler Replacement Mirror with Rounded Edges with same dimensions as the inspection mirror.



**WÖHLER INSPECTION MIRROR - 4" X 6", TELESCOPES 14" - 40"** **\$163.88**  
501204

**WÖHLER REPLACEMENT MIRROR - ROUNDED EDGES** **\$68.53**  
501202



These inspection mirrors, available in either glass or stainless steel, enable inspection of inaccessible work spaces, such as chimneys, and are used by professional chimney sweeps. The handle telescopes from 11" - 15 1/2" on the glass model and 11" - 42" on the stainless steel model.

**MA-LINE INSPECTION MIRROR - GLASS** **\$14.05**  
602701

**MA-LINE INSPECTION MIRROR - STAINLESS STEEL** **\$27.79**  
602702

## INSPECTION LIGHTING

These Redline flashlights are the brightest ever created by NEBO Tools. The BLAST features 1,400 lumens and the BIG DADDY features 2,000 lumens of high intensity light! These are must-have flashlights for any professional. Crafted with anodized, aircraft-grade aluminum, these flashlights are completely waterproof, impact resistant, and ready for the toughest work conditions! Both flashlights are designed with 4X zoom functionality, and feature five light modes: high, medium, low, strobe, and flashing beacon.

**Features:**

- On/Off Button: Glow-In-The-Dark, Rear-Positioned & Soft Touch
- Convex Lens & Tactical Edge
- 4X Adjustable Zoom
- Anodized, Aircraft-Grade Aluminum
- Waterproof & Impact Resistant
- Lanyard & Batteries Included: Big Daddy - 9 Batteries; BLAST - 6 Batteries
- Five Light Modes: High, Medium, Low, Strobe & Flashing Beacon



**REDLINE BIG DADDY FLASHLIGHT - 2,000 LUMENS** **\$44.00**  
110012

**REDLINE BLAST FLASHLIGHT - 1,400 LUMENS** **\$38.00**  
110010

## WÖHLER BRUSH KITS

Perlon Brushes are black plastic fiber for light condition sweeping in stainless steel chimneys, and are heat-tolerant to 122° F. The Wöhler Perlon Brush Kit - Set of Four comes with: (1) 8" M10 Thread Brush, (1) 10" M10 Thread Brush, (1) 12" M10 Thread Brush, (1) 14" M10 Thread Brush.



### WÖHLER PERLON BRUSH KIT - SET OF FOUR

**\$151.16**  
501170

Stainless Steel Flat Wire brushes are premium, stainless steel, flat wire for harder deposits in masonry/tile chimneys. The Wöhler Stainless Steel Flat Wire Brush Kit - Set of Ten comes with: (2) 8" Star Brushes, (4) 10" Star Brushes, (4) 12" Star Brushes.



### WÖHLER STAINLESS STEEL FLAT WIRE BRUSH KIT - SET OF TEN

**\$291.46**  
501171

PEK Star brushes are heat-tolerant to 300° F, and made with high-tech synthetic fiber for light condition sweeping in stainless steel chimneys, ducts, and pellet stoves. The Wöhler PEK Star Brush Kit - Set of Eight comes with: (2) 6" Star Brushes, (4) 8" Star Brushes, (2) 10" Star Brushes.



### WÖHLER PEK STAR BRUSH KIT - SET OF EIGHT

**\$301.34**  
501172

## RUG RUNNERS



Rug runners convey to a homeowner the respect your company has for their home. Rug Runners are a must for any professional service company. These Rug Runners are constructed of 10 oz. cotton canvas are natural colored and measure 4' x 15' and are machine washable.

### PURCHASE QUANTITY

	1 - 3	4+
<b>RUG RUNNER</b> 4' X 15', NATURAL	<b>\$27.55</b> 600545	<b>\$21.60</b> 600545

## DROP CLOTHS



Keep your customer's home clean with these natural or black colored Drop Cloths designed with double stitched seams and hems for added strength and durability. These machine washable, 10 oz., durable cotton canvas cloths are available in 6' x 9' or 9' x 12'.

		6' x 9'	9' x 12'
<b>DROP CLOTH</b>	<b>NATURAL</b>	<b>\$24.99</b> 600569	<b>\$43.45</b> 600592
<b>DROP CLOTH</b>	<b>BLACK</b>	<b>\$84.82</b> 600469	<b>\$90.55</b> 600492

**ROVAC 3-MOTOR VACUUM**

The RoVac 3-Motor Vacuum with HEPA filter features three powerful motors. Use one, two or three motors as needed for the ideal amount of suction needed for each job. At the maximum this vacuum delivers 405 CFM of air movement, and a 70" water column lift. The motor head includes an outlet for drop lights and tools, including a male plug to power the third motor. It's recommended that the third motor be plugged into a separate outlet via a heavy drop cord to avoid overloading a circuit (cord not included).

The three stage filtering system filters 99% of particles down to 0.3 microns. The Vacuum includes filters, non-marking casters, a 4" x 10' hose, 3" x 12' hose, 1.5" x 8' hose, and accessories including a tool adapter, brush, crevice tool, and floor brush. It includes a Dacron Filter Bag which repels soot and makes clean-up easier. Replacement HEPA filters and MicroBag filters are available.

If you work with black, oily soot from oil or coal applications, this vacuum is a must-have! The RoVac 3-Motor Vacuum includes a 90-day warranty, and the motors include a one year warranty.



**ROVAC 3-MOTOR VACUUM**

**\$2,616.58**  
**561001**

**ROVAC 3-MOTOR VACUUM ACCESSORIES**

**HEPA FILTER, 3-MOTOR**

**\$79.40**  
**561003**

**MICROBAG FILTER, 3-MOTOR  
BLUE BAG**

**\$68.92**  
**561002**

**SOOTSTOP DACRON FILTER BAG, 3-MOTOR**

**\$46.72**  
**561027**

**CHIMNEY CLEANING HOSE - 4" X 10'**

**\$185.95**  
**561021**

**BLACK HOSE - 1.5" X 8'**

**\$43.95**  
**561115**

**TOOL ADAPTER FOR BLACK HOSE - 1.5"**

**\$12.39**  
**561130**

**ROUND BRUSH FOR BLACK HOSE - 1.5"**

**\$18.02**  
**561129**

**ON/OFF SWITCH**

**\$19.08**  
**561023**

**POWER CORD**

**\$140.40**  
**561028**

**REPLACEMENT FRONT WHEELS - PAIR**

**\$65.42**  
**561105**

**REPLACEMENT MOTOR BRUSHES (AMETEK) - PAIR**

**\$26.97**  
**561029**

## ROVAC 1-MOTOR VACUUM

The RoVac 1-Motor Vacuum with HEPA filter has a two-stage motor that is powerful, yet lightweight at less than 20 lbs. Primarily used for dryer vent cleaning and dust control, it includes a 3" x 12' hose as well as 1 1/2" hose and accessories for debris cleanup. It operates at 120 cfm with a powerful 132" water column suction, using

both the micro bag (blue filter) and HEPA filter (both included) to stop dust. The HEPA filtration removes 99 % of dust to 0.3-micron particle size. It is easy to carry or roll with non-marking casters and operates quietly at only 78-decibels. We also offer replacement Dacron filter bags, HEPA filters, and Micro Bag filters.



SWEEP EQUIPMENT

**ROVAC 1-MOTOR VACUUM**      **\$987.78**  
**561101**

ROVAC 1-MOTOR VACUUM ACCESSORIES	
HEPA FILTER, 1-MOTOR	<b>\$79.79</b> <b>561103</b>
MICROBAG FILTER, 1-MOTOR - BLUE	<b>\$68.82</b> <b>561102</b>
SOOTSTOP DACRON FILTER BAG, 1-MOTOR	<b>\$28.69</b> <b>561104</b>
BLACK HOSE - 1.5" X 8'	<b>\$59.74</b> <b>561115</b>
GRAY HOSE - 3" DIA. X 12.5'	<b>\$189.91</b> <b>561036</b>

## SHOE COVERS

The only shoe cover that our professional chimney sweeps will use! Made with durable, long-lasting material that won't rip or tear.

- 50 pairs per pack
- 500 per case (10 packs)

	PURCHASE QUANTITY (PACK OF 50)	
	1 - 9	10+
<b>PREMIUM SHOE COVERS (PACK OF 50)</b>	<b>\$17.65</b> <b>604516</b>	<b>\$13.60</b> <b>604516</b>



## BUTTONLOK RODS

### THE ESSENTIAL CHIMNEY SWEEPING ROD!

ButtonLok rods provide a fast secure connection and are easily disconnected. ButtonLok rods are durable and slippery to minimize hangups and handling issues. ButtonLok II Rods are designed with a dual, button system allowing more precise control of Pterodacal tile remover and setter, they are compatible with single ButtonLok female ends!



**MADE IN THE USA**



- 7/16": Clean pipes larger than 4" dia. (small ButtonLok)
- 1/2": Power sweep wood stove/insert flues (large ButtonLok)
- 5/8": Power sweep fireplaces or larger diameter ducts (large ButtonLok)
- 3/4": Tile breaking and deglazing with ButtonLok Tools (large ButtonLok)

	7/16" dia.	1/2" dia.	5/8" dia.	3/4" dia.
<b>COPOLYMER SLICK ROD - 3' BUTTONLOK</b>	<b>\$46.41</b> 563503	<b>\$54.66</b> 563500	<b>\$58.86</b> 563501	<b>\$64.12</b> 563502
<b>COPOLYMER SLICK ROD - 4' BUTTONLOK II</b>	-	-	-	<b>\$57.73</b> 563504
<b>COPOLYMER SLICK ROD - 5' BUTTONLOK</b>	-	<b>\$73.04</b> 563124	-	-



### BUTTONLOK POLY RODS

These Poly Rods feature a ButtonLok fitting for easy connection, and are used for chimney cleaning and chimneys with offsets. They may also be used with the Stinger Whip, and are available in a range of lengths. The 3/4" x 3' Poly Rod connects to all the 7/8" Poly Rods and other large connection ButtonLok Rods.

	2' length	3' length	4' length	5' length	6' length
<b>POLY ROD - 3/4" DIA. BUTTONLOK</b>	-	<b>\$49.95</b> 563343	-	-	-
<b>POLY ROD - 7/8" DIA. BUTTONLOK</b>	<b>\$54.65</b> 563752	<b>\$52.99</b> 563103	<b>\$52.80</b> 563104	<b>\$53.18</b> 563105	<b>\$59.21</b> 563106

**800.722.7230 | ONLINE ORDERING LINDEMANNCHIMNEYSUPPLY.COM**

Prices are subject to change. See our website for the most up to date pricing.

## BUTTONLOK STEEL RODS

These ButtonLok Steel Rods are used in rotary applications, and attach to a 1/2" drill. These rods are best when used with ButtonLok Tile Breakers, Chain Whips, and Stinger Whips.



	1/4" x 1' Starter Rod	1/4" x 2 1/2' Male & Female	1/4" x 5' Male & Female
<b>STEEL RODS BUTTONLOK</b>	<b>\$41.78</b> 563201	<b>\$55.60</b> 563202	<b>\$59.29</b> 563205

## BUTTONLOK STEEL ROD END REPLACEMENTS



The Steel Rod End Replacement, Male End (563206), replaces the broken end of a male Steel Rod or converts a small button steel rod to ButtonLok. The Steel Rod End Replacement, Female End (563207), replaces the broken end of a female Steel Rod or converts a small button steel rod to ButtonLok.

	Male End	Female End
<b>STEEL ROD END REPLACEMENT BUTTONLOK</b>	<b>\$36.06</b> 563206	<b>\$31.66</b> 563207

## BUTTONLOK FIBERGLASS RODS

These .440" Fiberglass Rods are great for general chimney cleaning, and include a ButtonLok fitting on each end. These rods should never be used with a drill or for any rotary usage as they could shatter and cause injury.



	4' length	5' length	6' length
<b>FIBERGLASS ROD - .440" DIA. BUTTONLOK</b>	<b>\$41.87</b> 563004	<b>\$42.89</b> 563005	<b>\$46.10</b> 563006

## BUTTONLOK ADAPTERS

ButtonLok Drill Adapters come in two styles, with dual size options. The standard ButtonLok Drill Adapters feature a large ButtonLok connector that connect easily to drills when using tile breakers, chains, and other heavy rotary equipment. The EZ ButtonLok Drill Adapter self-actuates in both directions, and requires no-hands when removing from rods! This adapter doesn't disconnect when spinning, but when pulled back easily releases for faster bottom up cleaning on chimneys.



	3/8" shank	1/2" shank
<b>BUTTONLOK DRILL ADAPTER</b>	<b>\$38.16</b> 561018	<b>\$38.16</b> 561118
<b>EZ BUTTONLOK DRILL ADAPTER BOTTOM UP USE ONLY</b>	<b>\$35.20</b> 561038	<b>\$35.20</b> 561138

## BUTTONLOK ADAPTERS & ACCESSORIES



These ButtonLok Adapters enable you to connect small and large Male or Female ends on ButtonLok Rods together. This is helpful where more flexible rods are needed first and can be better controlled by stronger rods, or where very small whips need to be worked with tougher rods. The Converter Rod is used when connecting ButtonLok connection rods with ProKleen connection rods.

<b>BUTTONLOK ADAPTER - SMALL MALE / LARGE FEMALE</b>	<b>\$49.03</b> 563203
<b>BUTTONLOK ADAPTER - LARGE MALE / SMALL FEMALE</b>	<b>\$49.03</b> 563204

**ORDER ONLINE**  
**TAKE 10% OFF**  
 YOUR FIRST ONLINE ORDER

PROMO CODE FIRST10 [LINDEMANNCHIMNEY.COM](http://LINDEMANNCHIMNEY.COM)



800.722.7230 | ONLINE ORDERING [LINDEMANNCHIMNEYSUPPLY.COM](http://LINDEMANNCHIMNEYSUPPLY.COM)

Prices are subject to change. See our website for the most up to date pricing.

**BUTTONLOK ADAPTERS & ACCESSORIES**

The Male Large Universal Thread to Female ButtonLok Adapter (561011) connects ButtonLok Rods to Wood Core Brushes, and tools with Large Universal Threads. The Female Large Universal Thread to Male ButtonLok Adapter (562012) fits the Large Universal Thread Rods to ButtonLok Brushes, Tools and Rods.



**UNIVERSAL THREAD MALE / BUTTONLOK FEMALE ADAPTER** **\$33.89**  
**561011**

**UNIVERSAL THREAD FEMALE / BUTTONLOK MALE ADAPTER** **\$35.26**  
**561012**

**Female Large Universal Thread to Male ButtonLok Adapter**



SWEEP EQUIPMENT



The 3/8" NPT Male to ButtonLok Female Adapter (561013) connects standard fiberglass rods with a 3/8" end to ButtonLok brushes, tools, and rods. The 3/8" NPT Female to ButtonLok Male Adapter (561014) connects standard 3/8" pipe thread brushes and rods to ButtonLok Rods.



**3/8" NPT MALE / BUTTONLOK FEMALE ADAPTER** **\$34.64**  
**561013**

**3/8" NPT FEMALE / BUTTONLOK MALE ADAPTER** **\$37.00**  
**561014**



The 3/8" Brush to ButtonLok Adapter connects standard 3/8" brushes to ButtonLok rods.

**3/8" NPT BRUSH / BUTTONLOK ROD ADAPTER** **\$34.49**  
**561015**

# ROD STATION

## COLOR CODED

# CHIMNEY RODS & BRUSHES

**ADAPTERS • POWER SWEEP KITS & MORE**

## BUTTONLOK BRUSHES



We feature two types of ButtonLok Poly Brushes. The standard ButtonLok Poly Brush is made of .075", single spiral, polypropylene bristles. It is primarily used for factory-built chimneys but can also be used for coal, oil, and gas flues with bristles that are corrosion resistant. The ButtonLok Poly Pro Lite Brush has corrosion resistant bristles for gas, oil, coal, and factory-built chimney flues. The .050" polypropylene bristles on the Poly Pro Lite are wound single spiral on a ButtonLok spine.

	5" dia.	6" dia.	7" dia.	8" dia.	9" dia.	10" dia.	12" dia.
<b>POLY BRUSH BUTTONLOK</b>	-	<b>\$34.14</b> 562306	<b>\$34.91</b> 562307	<b>\$36.71</b> 562308	-	-	-
<b>POLY PRO LITE BRUSH BUTTONLOK</b>	<b>\$34.17</b> 562405	<b>\$34.27</b> 562406	<b>\$37.67</b> 562407	<b>\$38.03</b> 562408	<b>\$42.57</b> 562409	<b>\$42.00</b> 562410	<b>\$43.33</b> 562412



The ButtonLok Flat Wire Brush features heavy-duty flat wire with a thread and spindle design for tough scrubbing action. This brush attaches directly to ButtonLok Rods.

	6" dia.	8" dia.	7" x 7"	8" x 8"	12" x 12"	7" x 11"	8" x 12"	12" x 16"
<b>FLAT WIRE BRUSH BUTTONLOK</b>	<b>\$74.48</b> 562206	<b>\$80.29</b> 562208	<b>\$101.88</b> 562277	<b>\$93.40</b> 562288	<b>\$107.69</b> 562222	<b>\$112.64</b> 562271	<b>\$116.97</b> 562282	<b>\$131.55</b> 562226



The RoVac ButtonLok Round Wire Brush features round, oil-tempered, wire bristles in a double spiral configuration. It's a great sweeping brush for clay tiles, and connects to ButtonLok Rods.

	5" dia.	6" dia.	7" dia.	8" dia.	9" dia.	10" dia.	11" dia.	12" dia.	14" dia.
<b>ROUND WIRE BRUSH BUTTONLOK</b>	<b>\$44.77</b> 562105	<b>\$43.36</b> 562106	<b>\$47.69</b> 562107	<b>\$50.01</b> 562108	<b>\$54.35</b> 562109	<b>\$52.85</b> 562110	<b>\$57.31</b> 562111	<b>\$58.99</b> 562112	<b>\$62.99</b> 562114
		<b>6" x 6"</b>	<b>6" x 10"</b>	<b>7" x 7"</b>	<b>7" x 11"</b>	<b>8" x 8"</b>	<b>8" x 12"</b>		
		<b>\$60.98</b> 562166	<b>\$67.48</b> 562160	<b>\$60.35</b> 562177	<b>\$77.06</b> 562171	<b>\$64.28</b> 562188	<b>\$78.82</b> 562181		
		<b>9" x 9"</b>	<b>9" x 13"</b>	<b>10" x 10"</b>	<b>11" x 11"</b>	<b>12" x 12"</b>	<b>12" x 16"</b>	<b>14" x 14"</b>	
		<b>\$68.65</b> 562199	<b>\$71.07</b> 562193	<b>\$71.95</b> 562100	<b>\$77.59</b> 562101	<b>\$74.72</b> 562122	<b>\$87.33</b> 562126	<b>\$78.28</b> 562144	



## BUTTONLOK BRUSHES

The Oval Master Series Brush is great for sweeping clay tiles, featuring round, oil-tempered, wire bristles in a double spiral configuration.

	4 1/4" x 7"	4 1/4" x 10"
<b>OVAL MASTER SERIES BRUSH BUTTONLOK</b>	<b>\$81.31</b> 562147	<b>\$81.66</b> 562140

ButtonFlex Brushes have floppy, poly bristles set into a wood core. This makes them ideal for cleaning light creosote in factory-built chimneys. The ButtonLok fitting provides a connection to ButtonLok Poly or ButtonLok Heavy-Duty Fiberglass Rods.



	6" dia.	8" dia.	12" dia.	16" dia.
<b>BUTTONFLEX WOOD CORE POLY BRUSH BUTTONLOK</b>	<b>\$42.64</b> 563306	<b>\$45.63</b> 563308	<b>\$51.68</b> 563312	<b>\$52.69</b> 563316

## BUTTONLOK DUCT CLEANING BRUSHES

ButtonLok Duct Cleaning Brushes are available in three different sizes, attach to large ButtonLok rods, and are designed for heavy-duty spinning.

**Custom sizes are available, call for more details!**

	12" dia.	16" dia.	24" dia.
<b>DUCT CLEANING BRUSH BUTTONLOK</b>	<b>\$79.88</b> 565012	<b>\$84.33</b> 565016	<b>\$93.33</b> 565024



Duct cleaning has become a lucrative add-on business for Chimney Professionals. These Duct Cleaning Brushes have floppy bristles, and are great for cleaning ducts as well as large gas or oil flues. It has a standard 3/8" fitting, and connects to standard fiberglass rods.



	12" dia.	16" dia.	24" dia.
<b>DUCT CLEANING BRUSH 3/8" NPT</b>	<b>\$76.35</b> 505112	<b>\$80.04</b> 505116	<b>\$93.63</b> 505024

## BUTTONLOK ROTARY CLEANING



### SMOKE CHAMBER SPIN BRUSH - STIFF BUTTONLOK

The stiff Smoke Chamber Spin Brush flares out with .055" bristles as it starts to spin, wiping heavier creosote out of the smoke chamber. It's great for reaching into corners, cracks, and irregular surfaces. This brush is designed for use with the ButtonLok Poly Rods, or the ButtonLok Steel Rods.

**SMOKE CHAMBER SPIN BRUSH - STIFF BUTTONLOK**

**\$99.93**  
**563302**



### SMOKE CHAMBER SPIN BRUSH - MEDIUM FOR BUTTONLOK POLY RODS

This medium Smoke Chamber Spin Brush is for lighter, more brushable creosote. It flares out with .040" bristles as it starts to spin, wiping creosote out of the smoke chamber. It's great for removing light soot from corners, cracks, and irregular surfaces. This brush is designed for use with the ButtonLok Poly Rods, or the ButtonLok Steel Rods.

**SMOKE CHAMBER SPIN BRUSH - MEDIUM BUTTONLOK**

**\$101.74**  
**563734**



### STINGER WHIP SET WITH BUTTONLOK ROD FITTING

The Stinger Whip set is designed for removing moderate, third-degree creosote build-up. This whip set comes with ButtonLok rod fitting, and should be used with ButtonLok Poly Rods, making removal quick and easy. A 1/2" drill with clutch and drill adapter are recommended when using this product. The Stinger Whip Set is great for quick cleanings, and features ButtonLok Female connectors.

**STINGER WHIP SET**

**\$84.05**  
**563401**

**STINGER REPLACEMENT LINE**

**\$11.06**  
**563402**



### SUPER SCRUB POWER SWEEPING WHIPS & WHIP REPLACEMENT STRANDS FOR BUTTONLOK POLY RODS

The Super Scrub Power Sweeping Whip cleans chimneys gently, yet effectively. It can be used with the ButtonLok Poly Rods or ButtonLok Nylon Rods. The Small Super Scrub Whip is designed for smaller diameter liners up to 7", such as wood stoves or fireplace inserts, and features a ButtonLok connection. The Super Scrub Whip Replacement Strands are for use with the Super Scrub Power Sweeping Whip. Both of these whips feature ButtonLok Female connections.

**SUPER SCRUB POWER SWEEPING WHIP - MEDUSA**

**\$85.73**  
**563408**

**SUPER SCRUB POWER SWEEPING WHIP - MINI**

**\$88.46**  
**563412**

**WHIP REPLACEMENT STRANDS - MEDUSA**

**\$12.24**  
**563411**

**WHIP REPLACEMENT STRANDS - MINI**

**\$9.35**  
**563413**

## BUTTONLOK ROTARY CLEANING

### BUTTONLOK POWER SWEEP SPIN HANDLES

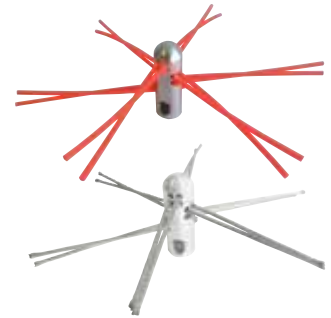
These ButtonLok Power Sweep Spin Handles are 8" in length, and are designed to rotate, providing the user with a safer handle when power sweeping or tile breaking. Available in three styles: Large ButtonLok, Small ButtonLok and Large ButtonLok with 1/2" Drill Shank.



	Large ButtonLok	Large ButtonLok & 1/2" Drill Shank
<b>POWER SWEEP SPIN HANDLES BUTTONLOK</b>	<b>\$84.53</b> 561069	<b>\$68.56</b> 561035

### LARGE MISSILE WHIPS WITH LARGE BUTTONLOK ENDS

These Large Missile Whips feature light aluminum whip heads with an integrated ball top. The aluminum construction offers a lighter, more cost-effective cleaning solution for light glazed creosote. The whips are .155" thick, measuring either 12" or 24" long, and can be easily replaced without use of any tools. The Large Scratcher Missile Whip is designed with 1/8" steel cables, measuring 10" long and are not for use with lightweight liners. Both styles of the Large Missile Whips come with large female ButtonLok ends.



	10"	12"	24"
<b>LARGE MISSILE WHIPS LARGE BUTTONLOK</b>	-	<b>\$51.67</b> 560013	<b>\$54.35</b> 560014
<b>LARGE SCRATCHER MISSILE WHIP LARGE BUTTONLOK</b>	<b>\$56.14</b> 560023	-	-

### CHAIN WHIP SET FOR BUTTONLOK STEEL RODS

These Chain Whip Sets clean flues up to 8" x 8" (small) & 12" x 12" (large). These sets include a hub base and rugged chains for effective cleaning. These Chain Whip Sets should be used with the ButtonLok Steel Rods, a 1/2" drill with clutch, and drill adapter.



	Small	Large
<b>CHAIN WHIP SET BUTTONLOK FEMALE</b>	<b>\$82.12</b> 563403	<b>\$86.17</b> 563404

This Cable Whip Deglazing Tool has three wire loops, is available in either 14" or 24" diameters, and is great for light to moderate cleaning of creosote build-up in chimney flues.

### SIZING CHART

WHIP SIZE	FLUE SIZE
14"	8" - 10", 6" x 6", or 6" x 10" - 7" x 11"
24"	11" - 20", 10" x 10", or 8" x 12" - 12" x 16"



	14" dia.	24" dia.
<b>CABLE WHIP DEGLAZING TOOL</b>	<b>\$93.67</b> 564767	<b>\$101.30</b> 564768
<b>CABLE WHIP REPLACEMENT</b>	<b>\$16.30</b> 564777	<b>\$24.30</b> 564778

800.722.7230 | ONLINE ORDERING LINDEMANNCHIMNEYSUPPLY.COM

## BUTTONLOK CLEANING TOOLS



The ButtonLok Hinged Scrapers are great for cleaning or blockage removal. Slip it down past the blockage then pull up on the rods to lock the hinge. These scrapers connect with ButtonLok Poly Rods, and are available in a 5" ButtonLok Fixed Scraper option.

	4" Hinged	5" Fixed	6" Hinged
<b>BUTTONLOK SCRAPER</b>	<b>\$62.84</b> 564764	<b>\$61.46</b> 564755	<b>\$70.55</b> 564766



Use the ButtonLok Boring Tool for pounding debris from below. Always work from below to avoid compacting the blockage. This boring tool connects to ButtonLok Poly Rods.

<b>BUTTONLOK BORING TOOL</b>	<b>\$81.34</b> 564740
------------------------------	--------------------------



Use this ButtonLok Harpoon for removing blockages, foreign objects, and chipping at creosote, particularly in the corners. This harpoon connects to ButtonLok Rods.

<b>BUTTONLOK HARPOON</b>	<b>\$64.26</b> 564720
--------------------------	--------------------------



The ButtonLok Retrieving Tool removes bird nests and other debris. Turn the ButtonLok rod, and it will screw into the brush, nest, or debris.

<b>BUTTONLOK RETRIEVING TOOL</b>	<b>\$81.34</b> 564745
----------------------------------	--------------------------

**BUTTONLOK CLEANING TOOLS**

PterodacTILE Wedge with ButtonLok II chisel fitting! A must-have tool - as a wedge to loosen "stubborn" tiles when trying to get a grip on them with the PterodacTILE Wedge. Welded in such a way to allow the wedge to ride down the inside wall of a chimney to knock out debris and slushed mortar.



**BUTTONLOK II CHISEL & PTERODACTILE WEDGE**

**\$64.71**  
**564735**

The ButtonLok Double Worm Screw is great for removing bird nests and other blockages. The rust-resistant ButtonLok Fitting connects to the ButtonLok Poly Rods and stays locked allowing for easy removal.



**BUTTONLOK DOUBLE WORM SCREW**

**\$42.85**  
**564730**

SWEEP EQUIPMENT



**BUTTONLOK ADAPTER**

This ButtonLok Cleaning Tool Adapter is used to connect ButtonLok Steel Rods to small button style tools and tile breakers.

**CLEANING TOOL ADAPTER -  
BUTTONLOK FEMALE / PROKLEEN MALE**

**\$44.50**  
**563208**

**EXPERIENCE**  
**THE LINDEMANN DIFFERENCE**

**FEEDING YOUR FIRE, FUELING YOUR GROWTH**

**ORDER ONLINE & SAVE!**

**LINDEMANNCHIMNEY.COM**



**800.722.7230 | ONLINE ORDERING LINDEMANNCHIMNEYSUPPLY.COM**

## ROVAC DRYER VENT CLEANING NYLON RODS WITH BUTTONLOK FITTING



These Dryer Vent FlexRods are extremely flexible and able to make sharp bends while cleaning dryer vents. They include a small ButtonLok fitting, and are available in multiple lengths.

	2' length	3' length	4' length	5' length	6' length
<b>FLEXROD - 5/16" DIA. SMALL BUTTONLOK</b>	<b>\$34.90</b> 561046	<b>\$42.80</b> 561006	<b>\$47.83</b> 561000	-	-
<b>FLEXROD - 3/8" DIA. SMALL BUTTONLOK</b>	-	<b>\$45.74</b> 561053	<b>\$49.09</b> 561054	<b>\$50.73</b> 561055	<b>\$60.38</b> 561056



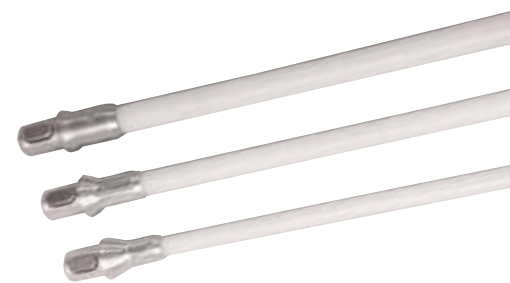
### BUTTONLOK FLEXROD DRILL ADAPTERS

Use these 3/8" shank ButtonLok FlexRod Drill Adapters for attaching the ButtonLok Dryer Vent FlexRods to a drill. The EZ Driver drill adapter self-actuates, and is designed for hands-free removal, requiring no button depression when disconnecting.

<b>FLEXROD DRILL ADAPTER SMALL MALE BUTTONLOK</b>	<b>\$35.92</b> 561020
<b>EZ DRIVER FLEXROD DRILL ADAPTER SMALL MALE BUTTONLOK</b>	<b>\$27.65</b> 561120

### WHITE SLICK FLEXROD WITH BUTTONLOK

These White Slick Dryer Vent FlexRods are extremely flexible and able to make sharp bends while cleaning dryer vents. Includes a small ButtonLok, and have stainless steel connectors. The 5/16" rods are for residential use, while the 3/8" are designed for commercial usage.

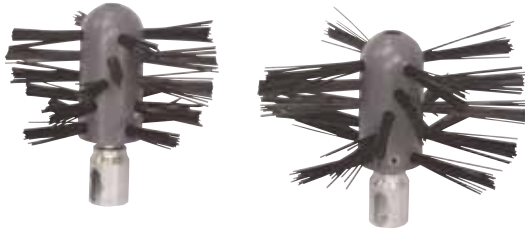


<b>WHITE SLICK FLEXROD - 3' SMALL BUTTONLOK</b>	<b>5/16" x 3'</b> <b>\$44.30</b> 561006S
---	--

## ROVAC BRUSHES AND TOOLS

The Propeller Brushes' nylon bristles gently sweep dryer vents using Small ButtonLok rods. We offer the Propeller brushes with an integral spring leader rod also, that easily navigates elbows and offsets.

Stainless Steel Propeller Brushes use thousands of fine stainless steel bristles to gently sweep pellet vents.



### PROPELLER BRUSH(ES)

	3" dia.	4" dia.	6" dia.
<b>PROPELLER BRUSH SMALL BUTTONLOK FEMALE</b>	<b>\$49.19</b> 561703	<b>\$50.26</b> 561704	<b>\$55.08</b> 561706

### PROPELLER BRUSH & 10" SPRING LEADER ROD

	3" dia.	4" dia.
<b>PROPELLER BRUSH &amp; 10" SPRING LEADER ROD SMALL BUTTONLOK FEMALE</b>	<b>\$65.77</b> 561713	<b>\$65.77</b> 561714



### PROPELLER BRUSH STAINLESS STEEL



	3" dia.	4" dia.
<b>PROPELLER BRUSH - STAINLESS STEEL SMALL BUTTONLOK FEMALE</b>	<b>\$45.26</b> 561703SS	<b>\$48.00</b> 561704SS

## UNIVERSAL THREAD RODS

### PROFLEX ROD

ProFlex Rods consist of durable, flexible, polypropylene allowing them to maneuver through sharp bends, offsets, breeches, and thimbles. These rods are available in two different diameters and lengths.



	3/4" X 3'	7/8" X 5'
<b>PROFLEX ROD UNIVERSAL THREAD</b>	<b>\$18.02</b> 505133	<b>\$37.92</b> 505175

### UNIVERSAL THREAD ADAPTER

This 3/8" Female to Universal Thread Female Adapter connects rods or brushes with a 3/8" NPT to universal thread rods and tools.



<b>3/8" NPT FEMALE / UNIVERSAL THREAD FEMALE ADAPTER</b>	<b>\$19.03</b> 509300
--	--------------------------

This 3/8" Male to Universal Thread Male Adapter connects rods or brushes with a 3/8" NPT to universal thread rods and tools.

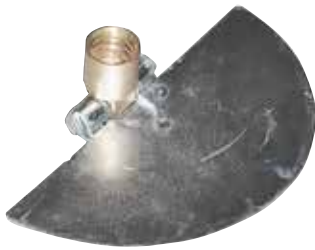


<b>3/8" NPT MALE / UNIVERSAL THREAD FEMALE ADAPTER</b>	<b>\$19.58</b> 509400
--	--------------------------

## UNIVERSAL HINGED SCRAPERS USED WITH PROKLEEN

### UNIVERSAL HINGED SCRAPER

These 4" and 6" Hinged Scrapers are great for removing blockages. Just slip it down, past blockages or other items stuck in the flue, then pull up on the rods and the hinge solidly locks into position, lifting the blockage. It features rust-resistant, brass, Universal Threads which connect it to Poly Rods.



	4" dia.	6" dia.
<b>UNIVERSAL HINGED SCRAPER USED WITH PROKLEEN 505133 / 505175</b>	<b>\$35.33</b> 505404	<b>\$32.21</b> 505406

### UNIVERSAL FIXED SCRAPER - 5"

This 5" Fixed Scraper is for removing blockages or just general scraping when cleaning. It features rust-resistant, brass, Universal Threads which connect it to Poly Rods.



<b>UNIVERSAL FIXED SCRAPER - 5" USED WITH PROKLEEN 505133 / 505175</b>	<b>\$41.56</b> 505755
--	--------------------------



## STEEL RODS WITH PROKLEEN CONNECTOR

These Steel Rods are ideal for use with cleaning and tile breaking tools. When using these rods with a drill, be sure to select a drill with clutch for safety. The Steel Rod - 1' connects to your drill and then connects to either the 2 1/2' or 5' Steel Rods.

	1/4" x 1'	1/4" x 2 1/2'	1/4" x 5'
<b>STEEL ROD - 1/4" DIA. PROKLEEN CONNECTOR</b>	<b>\$30.48</b> 503301	<b>\$45.75</b> 503302	<b>\$47.59</b> 503305

## CONVERTER ROD FOR PROKLEEN CONNECTION RODS

The Converter Rod is used when connecting ButtonLok connection rods with ProKleen connection rods.

<b>CONVERTER ROD - BUTTONLOK MALE RODS / PROKLEEN RODS</b>	<b>\$57.23</b> 563212
--	--------------------------



## GLAZE REMOVAL CHAINS USE DWITH PROKLEEN

Glaze Removal Chains rely on rotary action to remove heavy third-degree glazed creosote. The chains connect to a center hub with removable link connectors to allow for chain length adjustment.

<b>GLAZE REMOVAL CHAINS PROKLEEN</b>	<b>\$99.26</b> 507503
--------------------------------------	--------------------------



## VIPER SYSTEMS

The Wöhler Viper System is a uniquely designed line of equipment for professional use when cleaning chimneys, venting systems, duct work or stoves. The lightweight Wöhler Viper utilizes its stable, sturdy cable to help tackle most jobs in the field. The Viper Replacement Rods come with two, stainless steel M10 female end pieces, protected by a PA (Polyamid) coating.

### Viper's Feature:

- Integrated holder for up to 3 star brushes
- Adjustable brake and safety lock for transport
- Used standing upright or in a horizontal position
- Available in 50' and 65' lengths (9mm dia.)
- Viper Repair Kits Available - Includes 9 mm rod end, Allen Nut & Key

### The Wöhler Viper also comes with a variety of adapter options!

- M10 Viper to 3/8" Adapter converts M10 threads to 3/8" threads
- M10 Viper to ProFlex and ButtonLok adapters provide flexibility when selecting brushes to accompany this Viper system



Wöhler brushes are available for purchase, and do not come included with the Viper Systems.

VIPER - 50'	\$537.26 501101
-------------	--------------------

VIPER - 65'	\$554.74 501102
-------------	--------------------

### VIPER ACCESSORIES

VIPER REPLACEMENT ROD - 50'	\$346.79 501101R
-----------------------------	---------------------

VIPER REPLACEMENT ROD - 65'	\$387.30 501160
-----------------------------	--------------------

VIPER REPAIR KIT	\$68.17 501111
------------------	-------------------

M10 VIPER / 3/8" NPT ADAPTER	\$45.45 501113
------------------------------	-------------------

M10 VIPER / UNIVERSAL THREAD ADAPTER	\$56.61 501114
--------------------------------------	-------------------

M10 VIPER / BUTTONLOK MALE ADAPTER	\$41.08 561026
------------------------------------	-------------------

BRUSH HOLDER ASSEMBLY	\$47.42 501115
-----------------------	-------------------



### BRUSH & ROD ADAPTERS

M10 VIPER / 3/8" NPT ADAPTER	\$40.13 501113
------------------------------	-------------------

M10 VIPER / UNIVERSAL THREAD ADAPTER	\$48.10 501114
--------------------------------------	-------------------

M10 VIPER / BUTTONLOK MALE ADAPTER	\$33.05 561026
------------------------------------	-------------------

These products make us look like professionals. I would definitely recommend them to others in my field. The ease of use, quick set up, and professional look make them very valuable tools. They are an invaluable part of the selling process.

*Dave Bancroft - Sweepman  
Chimney, Massachusetts*

## VIPER SYSTEMS

The Wöhler Handy Viper cleans flue gas systems, chimneys up to 10" dia., as well as ducts and pipework. It's very lightweight and has a belt clip to use while sweeping and carrying. The GRP rod with scuff resistant coating makes the handy viper extremely durable. Available in 50' and 65' lengths (7mm dia.) The rods come with 2 stainless steel M10 female end pieces, and are protected by a PA (Polyamid) coating. The Wöhler Handy Viper Repair Kit includes a 7mm rod end with tiny allen nut and key.

<b>HANDY VIPER - 50'</b>	<b>\$464.89</b> <b>501104</b>
<b>HANDY VIPER - 65'</b>	<b>\$475.43</b> <b>501106</b>

## HANDY VIPER ACCESSORIES

<b>HANDY VIPER REPLACEMENT ROD - 50'</b>	<b>\$315.84</b> <b>501161</b>
<b>HANDY VIPER REPLACEMENT ROD - 65'</b>	<b>\$361.61</b> <b>501162</b>
<b>HANDY VIPER REPAIR KIT</b>	<b>\$65.55</b> <b>501110</b>

The Mini Viper is well suited for tight bends and offsets making it great for cleaning dryer vents, pellet vents, gas flue pipes, and venting ducts. It features a hand brake and folding handle and can be clipped to a belt. The rod is 4.5 mm dia., 50' long, and weighs just 2.5 lbs. We also stock the Mini Viper Repair Kit, which includes a stainless steel end piece, set screw, and an allen wrench.

<b>MINI VIPER - 50'</b>	<b>\$464.89</b> <b>501105</b>
-------------------------	----------------------------------

## MINI VIPER ACCESSORIES

<b>MINI VIPER REPAIR KIT</b>	<b>\$65.21</b> <b>501112</b>
<b>MINI VIPER FLEXIBLE SPIRAL TIP</b>	<b>\$59.28</b> <b>501150</b>

Looking to stock up on Viper brushes?  
Check out our Wöhler Brush Kits on page 125.



## VIPER BRUSHES, THREADED

Threaded Viper Brushes have 2-3 layers of bristles, and can be reversed in the flue for scrubbing. They rely on a flexible spiral guide (not shown) for severe offsets. Round Viper Brushes may be used in rectangle flues by sizing your brush 1" - 2" larger than the inside dimension of the flue. These threaded brushes are available in stainless steel flat wire or perlon.

The Threaded Viper Stainless Steel Flat Wire Brush is constructed of premium flatwire for cleaning harder deposits in masonry/tile chimneys.



	8" dia.	10" dia.	12" dia.
<b>THREADED FLAT WIRE BRUSH - STAINLESS STEEL</b>	<b>\$38.73</b>	<b>\$41.71</b>	<b>\$46.44</b>
	501140	501141	501142

These Threaded Viper Perlon Brushes are made of a heat tolerant (122° F), black plastic fiber for light sweeping in stainless steel chimneys. They come available in a variety of sizes and either round or square styles.

	6" dia.	8" dia.	10" dia.	12" dia.
<b>THREADED PERLON BRUSH - ROUND</b>	<b>\$41.71</b>	<b>\$40.51</b>	<b>\$43.47</b>	<b>\$43.47</b>
	501136	501137	501138	501139

	8" x 8"	8" x 13"	13" x 13"
<b>THREADED PERLON BRUSH - SQUARE</b>	<b>\$59.28</b>	<b>\$64.52</b>	<b>\$78.46</b>
	501088	501083	501033

SWEEP EQUIPMENT

## VIPER BRUSHES, NON-THREADED



The Viper Star Brushes are designed to be "sandwiched" between the Viper Rod base and the attachment knob. Star Brushes are available in a variety of bristles for every sweeping situation.

The Perlon Star Brush is made of a heat-tolerant (122° F), black plastic fiber for light sweeping in stainless steel chimneys.

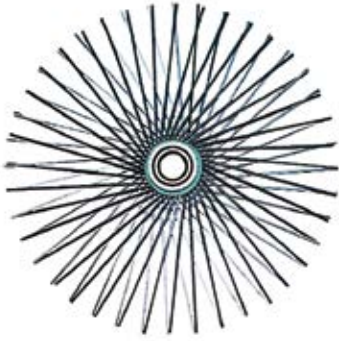
	6" dia.	8" dia.	10" dia.	12" dia.	16" dia.
<b>PERLON STAR BRUSH</b>	<b>\$26.42</b>	<b>\$31.78</b>	<b>\$36.75</b>	<b>\$34.76</b>	<b>\$39.73</b>
	501120	501121	501122	501123	501124



This Stainless Wire Bristle Brush is made of thin stainless steel that has been corrugated. It cleans soft to medium soot in all chimneys.

	6" dia.	8" dia.	10" dia.	12" dia.
<b>WIRE BRISTLE BRUSH - STAINLESS STEEL</b>	<b>\$30.20</b>	<b>\$34.46</b>	<b>\$39.03</b>	<b>\$48.32</b>
	501125	501126	501127	501128

## VIPER BRUSHES, NON-THREADED



This Viper Flat Wire Star Brush is constructed of premium, stainless steel, flat wire for cleaning harder deposits in masonry/tile chimneys.

	8" dia.	10" dia.	12" dia.
<b>FLAT WIRE STAR BRUSH - STAINLESS STEEL</b>	<b>\$33.59</b> 501129	<b>\$34.76</b> 501130	<b>\$26.68</b> 501131



This PEK Brush features high-tech fiber for light sweeping in stainless steel chimneys, ducts, pellet stoves, etc. The bristles are heat tolerant to about 300° F.

	6" dia.	8" dia.	10" dia.	12" dia.
<b>PEK BRUSH</b>	<b>\$39.73</b> 501132	<b>\$39.75</b> 501133	<b>\$49.40</b> 501134	<b>\$67.54</b> 501135

## MINI VIPER STAR & THREADED BRUSHES

The Threaded PEK Brushes and PEK Star Brushes for Mini Viper are made of high-tech fiber for light condition sweeping in stainless steel chimneys, ducts, pellet stoves, etc. The bristles are heat tolerant to about 300° F.



**MINI VIPER PEK BRUSH**

2.5" dia.	4" dia.	6" dia.
<b>\$39.52</b> 501143	<b>\$34.76</b> 501148	<b>\$49.66</b> 501149



**MINI VIPER STAR BRUSH**

2.5" dia.	4" dia.	6" dia.	8" dia.
<b>\$30.79</b> 501147	<b>\$32.60</b> 501144	<b>\$38.53</b> 501145	<b>\$40.51</b> 501146

## QUICK DISCONNECT SOCKETS

The Quick Disconnect Socket threads onto a 3/8" fiberglass rod. The Quick Disconnect Plug completes it for a quick and easy connection, avoiding having to unscrew each rod.



3/8" NPT SOCKET - QUICK DISCONNECT	\$46.17 509000
3/8" NPT FEMALE PLUG - QUICK DISCONNECT	\$22.38 509101
3/8" NPT MALE PLUG - QUICK DISCONNECT	\$13.32 509100

## NPT ADAPTER



This 1/4" - 3/8" Adapter is used most commonly to connect the "U" Brush to 3/8" NPT fiberglass rods.

1/4" - 3/8" NPT ADAPTER	\$9.22 509200
-------------------------	------------------

## BRUSHES FOR NPT ADAPTER AND ROD 503032

NYLON BRUSH



	3" dia.	4" dia.
NYLON BRUSH 5/16" - 18 THREAD	\$8.73 561603	\$9.99 561604

Use with rods 561516 or 561602

## "U" SHAPED BRUSH

Use this "U" shaped brush with 1/4" heavy wire for cleaning corners of the smoke chamber. Be sure to use it with adapter (509200) and rod (503032) for best results.



"U" SHAPED BRUSH	\$45.35 502200
------------------	-------------------



## FIBERGLASS ROD

Fiberglass rods were the original standard cleaning rod in the USA. They are made of .440" fiberglass, and each end has standard 3/8" NPT pipe threads: one female and one male end. We stock these rods in four different lengths.

	32"	4'	5'	6'
<b>FIBERGLASS ROD</b>	<b>\$21.40</b>	<b>\$20.16</b>	<b>\$20.00</b>	<b>\$23.33</b>
3/8" NPT	503032	503004	503005	503006

SWEEP EQUIPMENT



## THREADED PLASTIC CORE BRUSH

The floppy bristles on this Plastic Core Brush are very flexible, allowing an 8" brush to be used in smaller flues, like a 6" round. In fact, this brush should be oversized for optimum cleaning. The Plastic Core Brush is great for cleaning factory-built chimneys and chimney liners. It has a large female "broom" pipe thread connection which accepts large "broom" thread rods, such as the Universal Thread Poly Rods. An adapter may be used to connect to standard 3/8" pipe thread fiberglass rods or to ButtonLok Rods.

	6" dia.	8" dia.	12" dia.	16" dia.
<b>POLYFLEX BRUSH WITH UNIVERSAL THREAD</b>	<b>\$29.63</b>	<b>\$32.94</b>	<b>\$38.97</b>	<b>\$44.42</b>
	505006	505008	505012	505016

## STANDARD THREADED BRUSHES



### ROUND WIRE BRUSH

Round Wire Brushes set the standard for cleaning brushes, utilizing their oil-tempered bristles, set in a double spiral configuration, for more surface cleaning. It can be used on clay flue tiles, and some brands of class-A and chimney liner pipe. It includes 3/8" standard pipe thread fittings, and will attach right to the fiberglass rods.

	5" dia.	6" dia.	7" dia.	8" dia.	9" dia.	10" dia.	11" dia.	14" dia.
<b>ROUND WIRE BRUSH</b>	<b>\$35.01</b>	<b>\$43.73</b>	<b>\$44.63</b>	<b>\$47.86</b>	<b>\$52.33</b>	<b>\$55.79</b>	<b>\$60.76</b>	<b>\$67.73</b>
3/8" NPT	500105	500106	500107	500108	500109	500110	500111	500114

6" x 6"	7" x 7"	8" x 8"	10" x 10"	11" x 11"	12" x 12"	6" x 10"	7" x 11"	8" x 12"	12" x 16"
\$48.41	\$53.31	\$61.15	\$70.90	\$88.20	\$82.01	\$76.67	\$66.24	\$84.11	\$98.69
500166	500177	500188	500100	500101	500122	500160	500171	500182	500126

800.722.7230 | ONLINE ORDERING LINDEMANNCHIMNEYSUPPLY.COM

## STANDARD THREADED BRUSHES



### POLYPROPYLENE BRUSHES

Polypropylene Brushes are constructed of corrosion resistant, .075" polypropylene bristles, set in a single spiral configuration. These stiff bristles make this the best cleaning brush for gas, coal, oil, prefab flues, and chimney liners. Made with a 3/8" standard pipe thread end, which connects to standard fiberglass cleaning rods.

	6" dia.	7" dia.	8" dia.	9" dia.	10" dia.	8" x 12"
<b>POLY BRUSH 3/8" NPT</b>	<b>\$29.56</b> 500306	<b>\$32.88</b> 500307	<b>\$32.05</b> 500308	<b>\$31.68</b> 500309	<b>\$47.12</b> 500310	<b>\$39.36</b> 500382

### FLAT WIRE BRUSHES

Flat Wire Brushes are made to remove heavy creosote by using the flat, strong, wire ends that are designed for improved scraping action. This is the type of brush used to clean, "score", and rough up the creosote before cleaning. This Flat Wire Brush includes a 3/8" standard pipe thread end and connects to standard fiberglass rods.



	6" dia.	8" dia.	8" x 8"	7" x 11"	8" x 12"	12" x 12"	12" x 16"
<b>FLAT WIRE BRUSH 3/8" NPT</b>	<b>\$117.77</b> 500206	<b>\$151.34</b> 500208	<b>\$138.39</b> 500288	<b>\$166.92</b> 500271	<b>\$157.42</b> 500282	<b>\$180.40</b> 500222	<b>\$242.39</b> 500226



### PROFLEX WIZARD

The ProFlex Wizard attaches to the ProFlex or Universal Thread Poly Rods and spins, removing thin layers of glazed creosote up to 1/4" thick. Be sure to use a 1/2" heavy-duty hammer drill with a clutch. Replacement loop assemblies are also available. The 14" loop works for 8" - 10" dia. flues, 6" x 6" square, and 6" x 10" - 7" x 11" rectangular flues. The 24" loop assembly works with 11" - 20" dia. flues, 10" x 10" square and 8" x 12" - 12" x 16" rectangular flues.

#### SIZING CHART

WIZARD SIZE	FLUE SIZE
14"	8" - 10", 6" x 6", or 6" x 10" - 7" x 11"
24"	11" - 20", 10" x 10", or 8" x 12" - 12" x 16"

<b>WIZARD ASSEMBLY - WRL-14 LOOP &amp; ADAPTERS</b>	<b>\$99.95</b> 504002
---	--------------------------

## UNIVERSAL THREAD CLEANING TOOLS



This Double Worm Screw is used for removing bird nests and other blockages. It features rust-resistant, brass, Universal Threads which connect it to Poly Rods.

**UNIVERSAL DOUBLE WORM SCREW**

**\$28.20**  
**505300**



The Harpoon with universal thread is handy for removing blockages, foreign objects, and chipping at creosote particularly in the corners. It features rust-resistant, brass, Universal Threads which connect it to Poly Rods.

**UNIVERSAL HARPOON**

**\$53.64**  
**505600**



The Retrieving Tool makes removing bird nests and brushes that are stuck in the flue a whole lot easier. Just turn the rod and it will screw into the brush or nest so you can extract it. It features rust-resistant, brass, Universal Threads which connect it to Poly Rods.

**UNIVERSAL RETRIEVING TOOL**

**\$77.47**  
**505700**



This Boring Tool is great for removing blockages. It features rust-resistant, brass, Universal Threads which connect it to Poly Rods. Always work from below to avoid compacting the blockage

**UNIVERSAL BORING TOOL**

**\$53.85**  
**505800**



The Chisel features a tapered 1" wide blade that is 8" long and designed to remove blockages from below. It features rust-resistant, brass, Universal Threads which connect it to Poly Rods.

**UNIVERSAL CHISEL - 1" X 8"**

**\$44.85**  
**505725**

## DRYER VENT CLEANING ROTARY BRUSH KITS

These Dryer Vent Cleaning Rotary Brush Kits come with a 3' soft rod caddy and are outfitted with varying lengths of our White Slick Rods.

**The 25' kit** is best used for residential applications, and contains (8) 5/6" diameter x 3' rods, (1) starter rod, (1) drill adapter, and (1) 4" brush with 10" spring leader rod.

**The 35' kit** can be used for either residential or commercial applications, and contains (6) 5/16" diameter x 3' rods and (6) 3/8" diameter x 3' rods, (1) starter rod, (1) drill adapter and (1) 4" brush with 10" spring leader rod.

**The Heavy 35' kit** is designed for commercial use, featuring all 3/8" White Slick ButtonLok Rods.



	25'	35'	35' Heavy
<b>DRYER VENT CLEANING ROTARY BRUSH KIT SMALL BUTTONLOK</b>	<b>\$430.12</b> 561730	<b>\$551.32</b> 561731	<b>\$546.61</b> 561732

## ROD CADDIES



These Open End Caddies are constructed with tough, ballistics nylon, and designed with a double bottom providing a long-lasting, and durable solution for carrying rods. Available in three and five foot lengths, featuring an open end design with available Rod Caddy Whip Head Cover to prevent stains and soot transfer after cleanings. The Rodtech Zipup Open Bag Caddy measures 47" long, and is designed as an all-inclusive system with its side zipper.

	3'	5'
<b>OPEN END ROD CADDY</b>	<b>\$105.20</b> 563433	<b>\$117.77</b> 563432
<b>ROD CADDY WHIP HEAD COVER</b>		<b>\$52.96</b> 563434
<b>RODTECH ZIPUP OPEN BAG CADDY - 47"</b>		<b>\$121.27</b> 563447



## Y ADAPTER

This "Y" Adapter attaches to any vacuum with a 3" or 4" exhaust port and to the dryer vent. It allows you to clean from inside the home by inserting the rod through the plastic star-shaped opening on the "Y".

<b>"Y" ADAPTER</b>	<b>\$81.80</b> 561004
--------------------	--------------------------

## ROVAC DRYER VENT CLEANING TOOLS



This 10" Spring Leader with small Male and Female ButtonLok ends is an invaluable component when it comes to dryer vent cleaning. This product makes cleaning dryer vents simple and quick, preventing buildup of debris and fire hazards.

**SPRING LEADER ROD - 10"**  
Small ButtonLok Male & Female

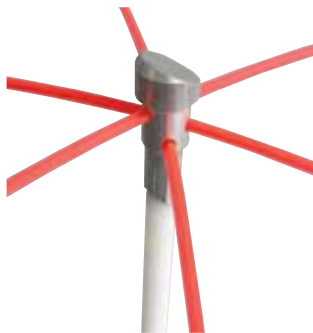
**\$50.67**  
**561028A**

These Full Filament Brushes are great dryer vent brushes, come with a Female Small ButtonLok end, and are available in three sizes. These versatile brushes can be attached to any Small ButtonLok Rod, but also are available with a 10" Spring Leader Rod. This is an effective dryer vent cleaning tool, preventing buildup of debris and fire hazards in your dryer system.



	3" dia.	4" dia.	5" dia.
<b>FULL FILAMENT BRUSH SMALL BUTTONLOK FEMALE</b>	<b>\$29.97</b> <b>561027A</b>	<b>\$32.01</b> <b>561007</b>	<b>\$33.98</b> <b>562705</b>
<b>FULL FILAMENT BRUSH &amp; 10" SPRING LEADER SMALL BUTTONLOK FEMALE</b>	<b>\$53.44</b> <b>561027B</b>	<b>\$52.36</b> <b>561005</b>	<b>\$56.10</b> <b>562715</b>

SWEEP EQUIPMENT



These ButtonLok Snagless Whip Heads are the ideal tool for navigating pellet vents, outdoor boiler fire tubes, HVAC and dryer vent ducts or chimney liner and Class A pipe with ease! This all-inclusive tool is designed with a 3' white ButtonLok slick rod connected to snagless whip heads making it extremely versatile allowing strands to not get caught in tight spaces. For best result when cleaning from the bottom up, make sure to use our new EZ ButtonLok Driver Adapters!

	1/4" 10" WHIP	5/16" 10" WHIP	7/16" 12" WHIP
<b>SNAGLESS WHIP HEAD &amp; SLICK ROD - 3'</b> <b>SMALL BUTTONLOK</b>	<b>\$48.47</b> <b>560019</b>	<b>\$54.60</b> <b>560020</b>	<b>\$59.35</b> <b>560021</b>



The Missile Whip is used for rotary cleaning of dryer vents and pellet vents. It has a Small ButtonLok fitting for use with dryer vent cleaning rods. The whip line is easily replaced.

**MISSILE WHIP**  
**SMALL BUTTONLOK**

**\$40.20**  
**560018**



**ROVAC DRYER VENT CLEANING TOOLS**

Guide Ball is used to send rods through the vent from laundry room to outside damper. Then the ball is replaced with a brush which then can be pulled back to the laundry room while spinning. Very useful in vents with multiple turns where the brush would have a hard time getting through.

**GUIDE BALL** **\$30.89**  
**SMALL BUTTONLOK FEMALE** **561019**

This RoVac Noise Maker spins around, producing a rattle in the vent, helping to locate blockages or disconnected vents. When the rattle goes silent the disconnect is found!

**NOISE MAKER** **\$31.67**  
**SMALL BUTTONLOK FEMALE** **561010**



This handy Blockage Removal Tool breaks through bird nests and lint clogs.

**BLOCKAGE REMOVAL TOOL** **\$36.92**  
**SMALL BUTTONLOK FEMALE** **561008**

**ECONOSPIN PELLET/DRYER VENT CLEANING BRUSHES & RODS**

These Econospin Pellet Stove Brushes with twisted, wire center can be used in conjunction with these Nylon Rods and Econospin Drill Adapter to create an effective, and convenient, pellet stove or dryer cleaning tool. The Nylon Brush with rounded, plastic core can also be used in the same applications for hand brushing or rotary cleaning. These rods and brushes are 5/16" dia. with 18 threads.



**PELLET/DRYER VENT CLEANING**

This Pellet/Dryer Vent Brush features quality, nylon bristles, and a guide ball to help prevent snagging. It screws onto Pellet Rods, and is stocked in 3" and 4" diameters. The flexible 4' Pellet/Dryer Vent Rods have a threaded male and female end (1/4" - 20 thread). These are an economical choice for cleaning pellet appliance flues and dryer vent flues, and are for hand brushing only.



	3" dia.	4" dia.
<b>ECONOSPIN PELLET STOVE BRUSH</b>	<b>\$12.11</b> <b>561503</b>	<b>\$17.57</b> <b>561504</b>
<b>NYLON BRUSH, ROUNDED PLASTIC CORE</b>	<b>\$11.17</b> <b>561603</b>	<b>\$13.19</b> <b>561604</b>
	3' length	4' length
<b>NYLON ROD</b>	<b>\$10.68</b> <b>561516</b>	<b>\$13.63</b> <b>561602</b>
<b>ECONOSPIN DRILL ADAPTER</b>		<b>\$5.76</b> <b>561510</b>

	4" dia.
<b>PELLET/DRYER BRUSH 1/4" - 20 THREAD</b>	<b>\$15.44</b> <b>500404</b>
<b>PELLET/DRYER ROD - 4' 1/4" - 20 THREAD</b>	<b>\$36.34</b> <b>500405</b>

**SWEEP EQUIPMENT**

## HAND BRUSHES



### CHAMBER BRUSH

Use this Chamber Brush for removing heavy build-up of creosote in the smoke chamber, firebox or damper area. The polypropylene bristles are 2" long, and the handle is 20" long, providing extra reach.

**CHAMBER BRUSH**

**\$22.11**  
**502000**



### SMOKE CHAMBER BRUSH

This Smoke Chamber Brush has an angled head and long reach, allowing you to quickly and easily clean your fireplace's smoke shelf. The durable, wooden handle, and tough bristles on this brush can withstand rigorous use.

**SMOKE CHAMBER BRUSH**

**\$29.85**  
**505026**

## WIRE DUSTER AND SCRATCH BRUSHES

Hand Brushes are used to scrub the firebox, damper, or smoke shelf. The Wire Duster and Scratch Brushes feature stiff metal bristles, and heavy-duty wooden handles. The Millbury has softer bristles for lighter cleaning.



**SCRATCH BRUSH**

**SCRATCH BRUSH**

**\$10.31**  
**502100**



**MILLBURY DUSTER BRUSH**

**MILLBURY DUSTER BRUSH**

**\$19.99**  
**502201**

**800.722.7230 | ONLINE ORDERING LINDEMANNCHIMNEYSUPPLY.COM**

**HAND BRUSHES**



**CHAMBER EASE**

Chamber Ease is a tool used to scrape debris off hard-to-reach smoke shelves.

**CHAMBER EASE - SMOKE SHELF SCRAPER**

**\$48.29**  
**NCCE**



**NOODLE BRUSH**

These Noodle Brushes can be used for hard to clean firebox corners, lint traps or anywhere you need a bendable brush. A handy brush to have on any truck, it is capable of bending to many configurations.

**NOODLE BRUSH**

**17" long**

**\$13.10**  
**563317**

**27" long**

**\$16.08**  
**563327**

**LINT BRUSH**

This 14" Lint Brush with wood handle is for cleaning front door lint traps.



**LINT BRUSH - 14"**

**\$24.04**  
**563301**



## PCR CREOSOTE REMOVAL

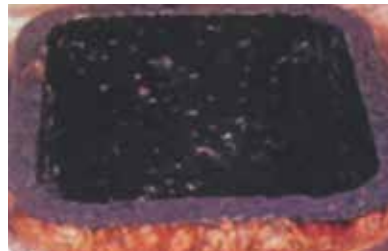
PCR (Poultice Creosote Remover) is a product designed to completely remove third-degree glazed creosote from flue tiles or stainless steel chimney liners by dissolving and absorbing the creosote. As it absorbs the creosote and dries, this product loses its adhesive properties, falls off the sides of the flue tiles, and can be easily removed by chimney sweeping. PCR can be applied with a brush in areas that are easily accessible or with a specially designed tool that can be pulled up through the chimney

by a winch. In order to clean creosote in smoke chambers, PCR can be applied with our Smoke Chamber Sprayer (750000). PCR eliminates the need for dangerous, destructive, cleaning methods and should be used where glazed creosote is present in order to eliminate the dangers of chimney fires.

**The PCR Applicator Packages includes: (1) RS-44 Pulling Head, (1) Pulling Head Connector Kit, and (3) Foam Cuts & Bottom Plates measuring 12" x 12", 8" x 12", and 8" x 8".**

<b>PCR POULTICE CREOSOTE REMOVER - 25 LB. PAIL</b>	<b>\$185.86</b> 750450
<b>PCR APPLICATOR PACKAGE</b>	<b>\$496.47</b> 730107
<b>SMOKE CHAMBER SPRAYER</b>	<b>\$1043.65</b> 750000

## ACS CREOSOTE REMOVAL



Before



After

Anti-Creo-Soot (ACS) is an environmentally safe, nontoxic liquid catalyst that modifies dangerous creosote. For maximum effectiveness, spray daily into the firebox and on the wood during low fire conditions to convert the creosote to a harmless ash. ACS improves combustion and promotes cleaner burns, which makes it an important part of any wood burning maintenance program. It also reduces ash and clogging in pellet stoves. ACS is safe to use in appliances with catalytic combustors, and should never be used as an alternative to chimney cleaning.



	PURCHASE QUANTITY	
	1 - 11	12+
<b>ACS CREOSOTE REMOVER - 32 OZ. SPRAY BOTTLE</b>	<b>\$11.81</b> 730102	<b>\$12.78</b> 730102

	PURCHASE QUANTITY	
	1 - 3	4+
<b>ACS CREOSOTE REMOVER - 1 GAL. BOTTLE</b>	<b>\$32.92</b> 730103	<b>\$33.84</b> 730103

800.722.7230 | ONLINE ORDERING [LINDEMANNCHIMNEYSUPPLY.COM](http://LINDEMANNCHIMNEYSUPPLY.COM)

## ACS HOME & HEARTH CLEANER

Home & Hearth Cleaner is an industrial strength, citrus cleaner. The high alkalinity citrus detergent effectively cuts through smoke and creosote. Home & Hearth Cleaner combines the natural cleaning power of citrus with strong cleaning agents to tackle most tough household cleaning jobs.



	PURCHASE QUANTITY	
	1 - 11	12+
<b>ACS HOME &amp; HEARTH CLEANER - 32 OZ. SPRAY BOTTLE</b>	<b>\$8.47</b> 750101	<b>\$9.53</b> 750101

ACS Home & Hearth Cleaner

## CRE-AWAY CREOSOTE REMOVAL



Cre-Away modifies third-degree creosote by converting it into a more brittle state that has a different expansion/contraction rate than the flue. During heating and cooling cycles, the creosote starts to lose its adhesive properties, making it easier to remove by chimney sweeping.

First, a reactive agent neutralizes the creosote making it less corrosive to metal components, and less flammable. Second, a dehydrator absorbs the oils and moisture contained in some forms of creosote. Third, a combustion inhibitor helps reduce

the chance of chimney fires. Finally, a magnesium catalyst helps break down third-degree creosote when the flue is heated by normal use. Cre-Away is effective on all types of creosote but not recommended for catalytic stoves.

For professional application, use Cre-Away Pro, available in a 25 lb. pail. By using a small compressor you can make a comprehensive application, making sure to get all the nooks and crannies. You can then leave a small bottle of Cre-Away with your customer to use daily. Use the Cre-Away, Professional Applicator for easy application!

Cre-Away Creosote Modifier

	PURCHASE QUANTITY	
	1 - 5	6+
<b>CRE-AWAY CREOSOTE MODIFIER - 16 OZ. BOTTLE</b>	<b>\$13.28</b> 750208	<b>\$11.05</b> 750208
<b>CRE-AWAY PROFESSIONAL STRENGTH - 25 LB. PAIL (APPLICATOR SOLD SEPARATELY)</b>		<b>\$135.39</b> 750209
<b>CRE-AWAY, PROFESSIONAL APPLICATOR REQUIRES COMPRESSOR (NOT INCLUDED)</b>		<b>\$101.43</b> 751001



Cre-Away Professional Strength

## STAGE ONE, (TSR) CREOSOTE REMOVAL

Use Stage One Creosote Remover Powder in wood burning appliances vented with factory-built chimneys. It acts as a catalyst changing creosote to a dry, flaky compound.

**STAGE ONE, CREOSOTE REMOVER POWDER - 2 LB. TUB**

**\$14.65**  
**741002**



## PAINT "N" PEEL

ChimneySaver Paint "N" Peel Fireplace Cleaner is a safe, effective, and easy way to clean your fireplace. We suggest wiping down the surface with a damp cloth to begin, then tape off areas around the affected masonry. The product can then be brushed on and dries to a thick, rubbery, non-hazardous film within 24 hours. After completely drying, it is easily peeled away from the surface and discarded. Paint "N" Peel Fireplace Cleaner saves you time and eliminates the hassle of cleaning your smoke/soot stained fireplace. This product works on nearly all masonry surfaces including brick, stone, marble, slate, tile, concrete, mortar, limestone, and cultured stone.

**Not only is this product extremely effective, it is environmentally friendly, can be used for interiors or exteriors, and has no noxious odors!**



**PAINT "N" PEEL - 1 GAL. CONTAINER**

**\$88.98**  
**759003**

SWEEP EQUIPMENT

# CROWN SAFE™

## Clear Elastic Sealant

- ONE STEP PROCESS! NO PRE-COATS REQUIRED
- FIBERED FOR STRENGTH TO RESIST CRACKING & PEELING
- SUPERIOR ADHESION & CLEAR FINISH
- APPLIES IN EXTREME WEATHER CONDITIONS & TEMPERATURES
- REPAIRS SMALL CRACKS & ADHERES TO MANY DIFFERENT SURFACES



**100% SATISFACTION GUARANTEE**

**ALL FOR YOUR SUCCESS!**

**800.722.7230 | ONLINE ORDERING LINDEMANNCHIMNEYSUPPLY.COM**

**INTERIOR CLEANING PRODUCTS**

**SPEEDY WHITE FIREPLACE CLEANER - 22 OZ. BOTTLE**

Speedy White is a highly concentrated fireplace cleaner that removes creosote, smoke stains, soot, and grease from glass, stone, brick, and hearths.



**PURCHASE QUANTITY**

1 - 11      12+

**SPEEDY WHITE FIREPLACE CLEANER - 22 OZ. BOTTLE**

**\$15.49**      \$10.85  
**710225**      **710225**



**WILLIAMS STOVE & GRILL POLISH - 3.5 OZ. TUBE**

Williams Stove & Grill Polish is a virtually odorless semi-paste which is easily applied and buffed when dry. It brings a low-luster dark gray finish to unpainted cast-iron appliances.

**PURCHASE QUANTITY**

1 - 11      12+

**WILLIAMS STOVE & GRILL POLISH - 3.5 OZ. TUBE**

**\$10.17**      \$8.13  
**742909**      **742909**

**GFC GLASS CLEANER - 8 OZ. BOTTLE**

This GFC Glass Cleaner cleans white film build-up and soot on glass/ceramic windows of gas or wood fired heating appliances.

**PURCHASE QUANTITY**

1 - 11      12+

**GFC GLASS CLEANER - 8 OZ. BOTTLE**

**\$10.08**      \$8.04  
**710122**      **710122**





# CUSTOM MADE

CHIMNEY CAPS • CHASE TOPS • MULTI-FLUE CAPS

# & MORE

CALL 800.722.7230

FOR YOUR ESTIMATE

SERVICE • CRAFTSMANSHIP • SUPPORT

# SAFETY & INSTALLATION TOOLS 157-169



## FEATURED: FULL-FACE RESPIRATOR

The Half-Mask and Full-Face Respirators use negative pressure to draw air in through the filters when breathing. We stock the Organic Vapor Cartridge, as well as, the Peel Away Lenses (for the Full-Face Mask) which help protect the respirator lenses from scratching.

# 167

## 170



### RIDGEPRO™

Capable of withstanding thousands of pounds of pulling force. The must have roof safety device for any professional chimney sweep!

## 171



### EXTENSION LADDERS

Extension Ladders are easy to handle, lightweight, and can be conveniently transported! These ladders are ideal for climbing multiple roof levels.

## 172



### PIVIT LADDER ACCESSORIES

The latest in ladder safety! PiViT Ladder Accessories are great additions to any technician's truck, and the perfect tools for the safety conscious sweep!

**SAFETY GEAR - RESPIRATORS & HEAD PROTECTION**

The Half-Mask and Full-Face Respirators use negative pressure to draw air in through the filters when breathing. For most effective use, a clean shaven face is required by user - facial hair prevents a mask-to-skin seal, preventing the respirator from working effectively. We stock the Organic Vapor Cartridge as well as the Peel Away Lenses (for the Full-Face Mask) which help protect the respirator lenses from scratching.

<b>FULL-FACE RESPIRATOR</b>	<b>\$458.59</b> <b>604000</b>
<b>HALF-MASK RESPIRATOR</b>	<b>\$49.95</b> <b>604012</b>
<b>ORGANIC VAPOR CARTRIDGE (PER PAIR)</b>	<b>\$47.09</b> <b>604100</b>
<b>PEEL AWAY LENSES (PACK OF 15)</b>	<b>\$36.65</b> <b>604205</b>



**FULL-FACE RESPIRATOR**

**HALF-MASK RESPIRATOR**



Head Socks are great for keeping soot out of your hair and ears. Made of washable cotton, and come in a package of 12.

<b>HEAD SOCK (PACK OF 12)</b>	<b>\$37.15</b> <b>604510</b>
-------------------------------	---------------------------------



**SAFETY & INSTALL. TOOLS**

**ORDER ONLINE**  
**TAKE 10% OFF**  
YOUR FIRST ONLINE ORDER

**PROMO CODE FIRST10 LINDEMANNCHIMNEY.COM**



**800.722.7230 | ONLINE ORDERING LINDEMANNCHIMNEYSUPPLY.COM**



**TYVEK SUIT & HOOD**

## SAFETY GEAR - BODY & FALL PROTECTION

- Soot protective suit
- Zipper front, Elastic Wrist/Ankle, and attached Hood
- Increased Room in Torso
- Reinforced Zipper
- Elastic Waist
- Microporous material

	Large	X Large	XX Large
<b>TYVEK SUIT &amp; HOOD</b>	<b>\$27.57</b> 604504	<b>\$30.89</b> 604507	<b>\$26.49</b> 604508


Fall Protection is paramount to any type of roof based work. It only takes one slip to impact your health for the rest of your life. This Fall Protection Kit is OSHA approved and includes: harness, reusable roof anchor, 50' lifeline rope, counterweight, and lanyard.

<b>FALL PROTECTION KIT</b>	<b>\$244.09</b> 604404
----------------------------	---------------------------



# LADDER SAFETY

Always be sure to follow ladder safety guidelines during an installation or any job requiring roof work! For tips on choosing the right ladder and proper safety guidelines, visit: [AmericanLadderInstitute.org/BasicLadderSafety](http://AmericanLadderInstitute.org/BasicLadderSafety)



## SAFETY GEAR - GLOVES

Chimney Sweep Long Gloves are fully lined for extra protection. One size fits most.



CHIMNEY SWEEP GLOVES

**CHIMNEY SWEEP GLOVES (PAIR)** **\$46.72**  
**500275**



KEVLAR SLEEVE

- 14" Kevlar Sleeve & Thumb Hole
- Cut resistant sleeve
- Comes in Black!

**KEVLAR SLEEVE - 14" (SINGLE SLEEVE)** **\$17.69**  
**600714**

These Black Nitrile Gloves are powder free, and made for medical and general use. They are 5 mm thick at the palm for added strength and chemical resistance.



BLACK NITRILE GLOVES

	L	XL	2XL
<b>BLACK NITRILE GLOVES (BOX OF 100)</b>	<b>\$22.55</b> <b>600452</b>	<b>\$22.55</b> <b>600451</b>	<b>\$22.55</b> <b>600450</b>

The perfect gloves for working with Chamber Safe!

SAFETY & INSTALL. TOOLS

## SAFETY GEAR - EYE PROTECTION



Our Gray Safety Sun Glasses meet safety standards, and are less restrictive than safety goggles. They are also available in clear.

	Gray	Clear
<b>SAFETY GLASSES</b>	<b>\$5.54</b> <b>604502</b>	<b>\$3.76</b> <b>604501</b>

These premium, anti-fog, and splash protecting Safety Goggles are constructed of soft PVC so they fit comfortably to your face. They feature a wrap around polycarbonate lens to protect against impacts and debris.



**SAFETY GOGGLES** **\$14.15**  
**604500**

**RIDGEPRO™**



**THE ULTIMATE ROOF SAFETY DEVICE!**

Nothing is more important than the safety of your technicians when in the field - that's why Lindemann Chimney ensures that our technicians carry this tool on every single truck! The RIDGEPRO™ is the trusted roof safety device of Lindemann certified chimney sweeps.

*"This tool allowed access to a chimney that we otherwise would not have been able to without the use of scaffolding. Because of this new ridge hook system, it should allow techs to get to the top of chimneys to get better measurements. I recommend sweeps carry this on their vans - gaining access to difficult chimneys will only help to save you money on labor hours, and material."*

- Derek Schafernak, Lead Technician, Lindemann Chimney Service



The Pitch & Slope Locator allows you to easily find the pitch of the roof prior to stepping off the ladder.



This Permanent Mount Shoulder Rest is waterproof, lightweight, and weighs less than 2 oz. It conforms to the shoulder, and has excellent vibration and shock absorbency. It fits most standard ladders with rails, and measures 13 1/2" long x 2 7/8" wide x 15/16" thick. This product features an easy peel and stick assembly.

**PITCH & SLOPE LOCATOR**

**\$13.95**  
**109102**

**SHOULDER REST - PERMANENT MOUNT**

**\$20.95**  
**502411**



**THE RIDGEPRO**

**\$680.67**  
**109100**

**THE RIDGEPRO EXTENSION POLE**

**\$89.01**  
**109101**

The ultimate tool to get you safely from the ladder, to the roof peak, and back again - the RIDGEPRO™ is the preferred safety device for our professional chimney sweeps! The main body is constructed of high-grade aluminum, capable of withstanding thousands of pounds of pulling force, and features an adjustable pitch-selection grid with an incremental range, able to adjust from 6/12 to 12/12 roof pitches. The two padded cross members are designed to protect any existing surface material from damage, balances the user, and has four holes that can receive 5/16" lag bolts as an anchoring option. The RIDGEPRO™ also features a stainless steel shackle to receive the rope and harness clip, and a set of pre-installed wheels to roll The RIDGEPRO™ to and from the peak.

Take advantage of the built-in coupler that receives the RidgePro Extension Pole - a locking extension pole (not nylon-threaded) which can extend from 8' - 16' (sold separately) to easily reach the roof peak!

**SAFETY & INSTALL TOOLS**

LADDERS & ACCESSORIES



This Heavy-Duty Ridge Hook with wheel attaches to your ladder and hangs over the roof ridge, providing extra stability when climbing up the roof. It has a reinforced rod around the hook for extra strength and is great for metal roofs, steep pitches, and more.

<b>HEAVY-DUTY RIDGE HOOK</b>	<b>\$98.79</b> 109000
------------------------------	--------------------------

This Ladder Leveling System helps level the ladder when working on uneven ground. This product attaches quickly to the bottom of the ladder to provide adjustment for slopes, and can only be used on Type II ladders.



<b>LADDER LEVELING SYSTEM</b>	<b>\$185.45</b> 502410
-------------------------------	---------------------------

SAFETY & INSTALL. TOOLS



These light weight and durable straps are made from woven polypropylene webbing and double stitched for maximum strength. Designed to secure ladders and light weight material to construction vehicles, Pro-Strap's easy to use hook loop fastening system saves you time and gives you peace of mind.

Used by our Professional Sweeps, these are an absolute must for securing ladders to trucks!

	<b>43"</b>	<b>72"</b>
<b>PRO-STRAPS (PACK OF 2)</b>	<b>\$28.29</b> 730000	<b>\$31.52</b> 730001

**EXPERIENCE**  
THE LINDEMANN DIFFERENCE



**FEEDING YOUR FIRE, FUELING YOUR GROWTH**

800.722.7230 | ONLINE ORDERING LINDEMANNCHIMNEYSUPPLY.COM

**PIViT LADDER ACCESSORIES**



PIViT Platforms are designed to pair with the PivIt Ladder Tool to create a stable working platform directly on a ladder! This platform comes with tool cutouts, and is wide enough to accommodate a 12" walk board. The PivIt Ladder Tool is required for use.

**PIViT PLATFORM** **\$40.71**  
**502421**



The PivIt Ladder Tool is a patented tool for leveling extension ladders, designed with polypropylene, non-skid material. This product supports up to 500 lbs., and creates a stable platform for your ladder when working on: steps, stairs, roofs, and uneven ground!

**PIViT LADDER TOOL** **\$137.14**  
**502420**



The PivIt Ladder Helper is designed to safely fit over household and commercial gutters, and is constructed of polypropylene. The Ladder Helper protects the gutter system and securely holds the ladder in place via anti-slip, ribbed rubber and ladder guides.

**PIViT LADDER HELPER** **\$57.14**  
**502422**



Roof Boots can be used on a 7/12 or greater pitch asphalt or shingled roof providing easy, and safe roof access for a ladder or PivIt Ladder Tool. Roof Boots are easily secured (instructions included), and can provide security with the PivIt Ladder Tool up to 20/12 roof pitches.

**PIViT ROOF BOOT (ONE PAIR)** **\$98.57**  
**502423**

**SAFETY & INSTALL TOOLS**



**STAIR CLIMBING FORKLIFTS**

Stair Climbing Forklifts by Escalera have side frames made from tough tempered, aluminum alloy and feature steel lift frames with 28" long forks, allowing loads to be raised up to 54" - high enough to load or unload a semi-truck! All Escalera Forklifts have a 1200 lb. maximum capacity, and are available in two models with either hand winch or electric winch functionality.

**These stair climbing forklifts come with a wide range of available accessories.** The Auto Rewind Strap acts as a safety belt to secure loads. The Big Wheel Attachment is ideal for hauling loads across rough terrain. The 24" x 28" removable, steel Lift Plate Attachment can be placed over the forks to create a platform. Then, the Lift Hitch can be used to mount your stair climbing forklift on the back of a vehicle (standard receiver).

STAIR CLIMBING FORKLIFT – HAND WINCH

**\$3,695.25**  
100010

STAIR CLIMBING FORKLIFT – ELECTRIC WINCH

**\$4,240.86**  
100020

Accessories Available! Call for Details!

SAFETY & INSTALL. TOOLS

**CROWN SAFE™**



CLEAR ELASTIC SEALANT

**THE ULTIMATE ALL-WEATHER PRODUCT**

APPLIES IN EXTREME WEATHER CONDITIONS & TEMPERATURES



SPRING



SUMMER



AUTUMN



WINTER

**ONE-STEP PROCESS!**

**NO PRIMERS! NO PRE-COATS!**

**U.S. FIREPLACE PRODUCTS**

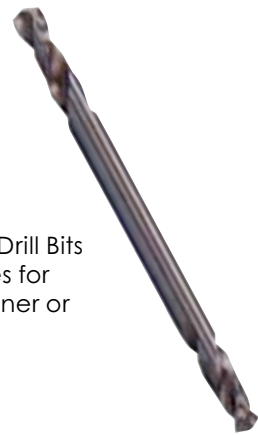
800.722.7230 | ONLINE ORDERING LINDEMANNCHIMNEYSUPPLY.COM

**DRILL BITS, DRIVERS & SCREWS**



Change between 1/4" and 5/16" hex head sizes seamlessly with Malco's unique, dual-sided magnetic hex driver. This patented, reversible hex socket fits over a 1/4" magnet-tipped, ball locking hex shaft which can be quickly reversed to change sizes. For cleaning, just wipe away metal shavings with a glove or towel.

**C-RHEX DUAL-SIDED MAGNETIC HEX DRIVER - 2"** **\$7.62**  
**600205**



These 1/8" Double-Ended Drill Bits are perfect for drilling holes for pop rivets when installing liner or liner components.

**DOUBLE-ENDED DRILL BIT - 1/8"** **\$3.21**  
**601005**

These 1/2" long No. 8 Stainless Steel Screws will tap their own hole in just seconds and are sold in a pack of 500. The 1 1/4" long No. 10 Stainless Steel Screws are available in a pack of 100.



**NO. 8 STAINLESS STEEL SCREWS (PACK OF 500)** **\$53.40**  
**600100**

**NO. 10 STAINLESS STEEL SCREWS (PACK OF 100)** **\$24.48**  
**600102**

These Black Stovepipe Screws have self-drilling ends making stovepipe connections easy. They are made of anodized steel, have a No. 8 hex head, measure 1/2" long, and are sold in a tub of 500. We also stock 1/2" long, Galvanized Tek Screws for galvanized connector pipe, available in packs of 100.

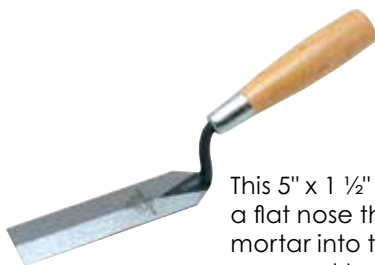


**NO. 8 BLACK OXIDE SCREWS (PACK OF 500)** **\$14.46**  
**600101**

**1/2" GALVANIZED SCREWS (PACK OF 100)** **\$3.50**  
**600105**

**SAFETY & INSTALL TOOLS**

**BRICK LAYING TOOLS**



This 5" x 1 1/2" Margin Trowel has a flat nose that allows it to work mortar into tight places where a normal trowel won't work.

**MARGIN TROWEL** **\$17.67**  
**603008**



This 7 1/4" Bucket Trowel is sized to scoop mortar from a bucket and is useful when applying refractory cements, etc.

**BUCKET TROWEL** **\$38.88**  
**603022**

## CUTTING TOOLS



Use this fiber mesh, .4" x 7/8" x 4 1/2" Cut-Off Wheel for stainless steel liners, galvanized connector pipe, steel inserts and more. Fits a 4 1/2" angle grinder.

**CUT OFF WHEEL** **\$3.79**  
**603700**



These all purpose Reciprocating Saw Blades (6" & 12", 5 Pack) are made from high quality steel for clean cuts and longer life. They are designed to cut through a variety of materials including wood and metal.

	6"	12"
<b>RECIPROCATING SAW BLADE (PACK OF 5)</b>	<b>\$21.76</b> <b>601003</b>	<b>\$48.13</b> <b>601004</b>

## CUTTING TOOLS & HAND TOOLS



The Malco straight Bull Snips have an 18 gauge capacity for stainless steel, and jaws that are hot-drop forged from high carbon alloy steel and fully heat treated for strength.

**BULL SNIPS** **\$45.49**  
**600500**



The Malco 12" Tin Snips are used for cutting sheet metal, stainless steel and galvanized pipe. The longer handle gives maximum cutting ability with less work.

**TIN SNIPS** **\$50.55**  
**601400**



Malco Left Offset Shears are useful for cutting sheet metal, stovepipe or liner up to 24 gauge. The offset design guides the cut metal away from the hands.

**LEFT OFFSET SHEARS** **\$45.05**  
**601000**



Malco Right Offset Shears are useful for cutting sheet metal, stovepipe or liner up to 24 gauge. The offset design guides the cut metal away from the hands.

**RIGHT OFFSET SHEARS** **\$51.99**  
**601100**

## TURBOCRIMPER® IMPACT TOOL

The TurboCrimper IMPACT Crimping Tool is designed for sheet metal crimping using a min. 12 volt DC cordless or max. 7 amp AC corded impact driver with quick release, 1/4" hex chuck. Users can easily and immediately begin crimping multiple sizes, types, and thicknesses of round metal pipe! Call today for instructional videos and additional details!



**TURBOCRIMPER® IMPACT CRIMPING TOOL** **\$173.19**  
**600905**

## INSTALLATION TOOLS

The Malco Hand Seamer comes in handy for field fabrications. Use it any time you need to bend a flat piece of sheet metal or hold a small piece of metal in order to trim an edge.



**HAND SEAMER** **\$75.83**  
**600800**

These top quality five-bladed Malco Pipe Crimpers are constructed for heavy-duty usage. Crimps stainless steel, galvanized steel and stovepipe.



**CRIMPERS** **\$50.43**  
**600900**

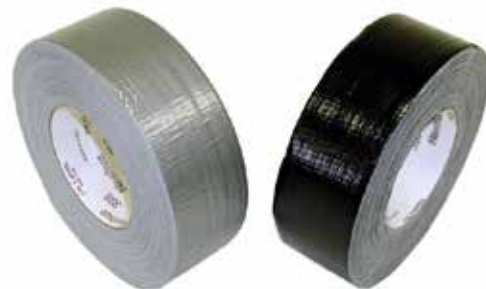
## TAPE



Don't forget to order some Aluminum Foil Tape! It's used to hold the seams and ends of the insulation, and is great for securing an insulation blanket around a liner.

However, never rely solely on the tape - always use the Stainless Steel Mesh Clamps as well. Tape comes in a roll, 3" x 150' roll.

**ALUMINUM TAPE** **\$22.00**  
**391200**



This Duct Tape comes in 2" x 180' rolls of black or silver, is reasonably priced, and sticks well to most surfaces.

		<b>2" x 180'</b>
<b>DUCT TAPE</b>	<b>BLACK</b>	<b>\$23.85</b> <b>601603</b>
	<b>SILVER</b>	<b>\$23.85</b> <b>601604</b>

SAFETY & INSTALL TOOLS

## TIPS & TRICKS OF THE TRADE: TILE BREAKING



Our professional chimney sweeps are tile breaking in the field every day, and know the best practices when it comes to this kind of dangerous work. Here are a few tips from our professionals when it comes to tile breaking:

- **Always check your equipment.** Make sure that your drill is properly operating, and that your bits, rods, etc. are in proper working condition.
- **Always ensure proper dust control is in place before tile breaking.** Our technicians make sure to use plenty of drop cloths, board up the fireplace opening, and seal with high-grade duct tape. A high-powered vacuum, and hose are then inserted into the fireplace opening and sealed again with tape to further assist in the capture of dust, and debris.



**PRO TIP: After setting up your dust control, test it out - break a few tiles, and make sure nothing gets past your dust control measures!**

- **Be aware of your surroundings, and construction of the chimney.** Be aware that additional flues, such as those for appliances, can run up the same chimney stack. Before you begin tile breaking, make sure that you eliminate the chance to break through a flue wall and into another.



**PRO TIP: Take note of the size of the smoke chamber, and the firebox before tile breaking! Sometimes tile can build up where the throat damper previously existed, or the firebox can fill up too rapidly and break through your dust control measures.**

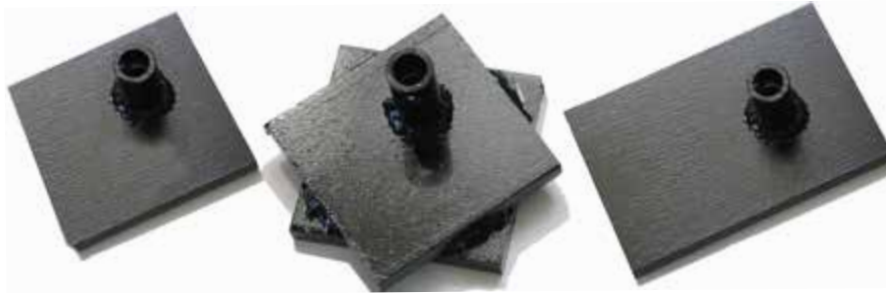
- **If your tile breaking tool gets stuck, don't force it!** Don't attempt to forcibly remove your tile breaking tool if it gets stuck - this can result in damage to your equipment or the customers house.
- **Don't push your drill too hard!** Slow and steady, one tile at a time - make sure to be deliberate in your work to avoid accidents and damage to your equipment or your customers house. Also, use a drill that has a handle to ensure the user has more control of their tile breaker.
- **If masonry work has been performed recently, give it some time to set.** A good rule of thumb is to give any masonry work 1-2 days to completely set/cure before tile breaking begins.

## TILE BREAKERS



Originally designed and built by a local sweep, these tile breaker tools remove rectangle or square flue tiles faster, and easier than any other on the market today! These tools attach to either the ProKleen or ButtonLok, rod systems and do not work on round flue tiles.

<b>TILE BREAKER - PROKLEEN</b>	<b>\$92.16</b> <b>NCTILEBREAKER</b>
<b>TILE BREAKER - BUTTONLOK</b>	<b>\$92.16</b> <b>NCTILEBREAKERBL</b>

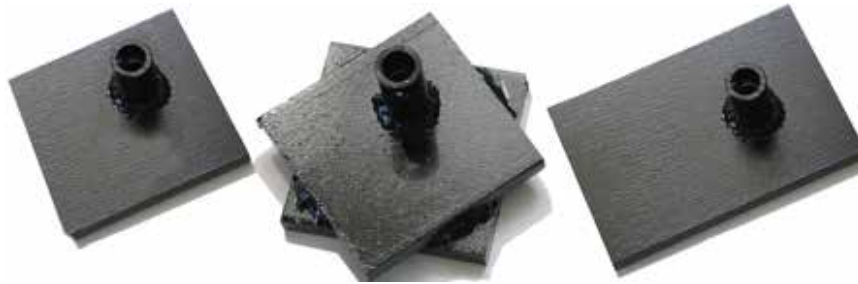


## BUTTONLOK TILE BREAKERS

Use with the ButtonLok Steel Rods and a heavy-duty, 1/2" drill with clutch. The Small Tile Breaker works on 8" x 8" or 7" x 11" files. The Large Tile Breaker works on tiles 12" x 12" and larger. The Double Tile Breaker works on 8" x 12" and 11" x 11" files.

<b>SMALL TILE BREAKER - 4" X 4"</b> <b>BUTTONLOK</b>	<b>\$48.49</b> <b>563405</b>
<b>LARGE TILE BREAKER - 4" X 6"</b> <b>BUTTONLOK</b>	<b>\$51.04</b> <b>563406</b>
<b>DOUBLE TILE BREAKER - 4" X 4"</b> <b>BUTTONLOK</b>	<b>\$64.58</b> <b>563407</b>

**PROKLEEN TILE BREAKERS**



These ProKleen Tile Breakers connect to ProKleen rods and adapters. The Small Tile Breaker breaks out tiles from 8" x 8" up to 7" x 11". The Large Tile Breaker breaks out tiles from 12" x 12" and larger flues. The Double Tile Breaker spins around to break out flue tiles from 8" x 12" up to 11" x 11".

**SMALL TILE BREAKER - 4" X 4" PROKLEEN**

**\$57.21**  
**507501**

**LARGE TILE BREAKER - 4" X 6" PROKLEEN**

**\$55.93**  
**507502**

**DOUBLE TILE BREAKER - 4" X 4" PROKLEEN**

**\$84.54**  
**507500**

**TILE EXTRACTORS**



These Pterodactile™ Tile Extractors are indispensable tile removing tools that are a must-have for any professional chimney technician! They are designed to remove tile with minimal mortar slush, or to remove large pieces of tiles, blockage, etc. Using their ButtonLok connections, the extremely tough jaw material rips out tiles with ease! The Large Tile Extractor can lift up to 500 pounds, and features an adjustable jaw that can open from ¼" up to 4" wide. The cast-aluminum design of the Tile Extractor Mini is perfect for more precise control to grab objects up to 4" thick.

**TILE EXTRACTOR - MINI BUTTONLOK**

**\$625.64**  
**563498**

**TILE EXTRACTOR 2.0 - LARGE BUTTONLOK & BUTTONLOK II**

**\$807.42**  
**563499**

**Ask us about the new and improved Tile Extractor 2.0! Designed for the ButtonLok II Rods!**

# MASONRY SUPPLIES & REPAIR 193-210

## FEATURED: CROWN SAFE™

**CROWN SAFE** is a high-performing, brushable, elastic sealant with rubber-like flexibility designed to stop water intrusion into masonry chimney crowns, roofs, and various other building surfaces. Crown Safe's fibered formula produces a clear, see-through finish which is extremely flexible and highly resistant to tears, shears, stress, and weathering. The unique properties of this product allow successful application in extreme weather, such as freezing and wet conditions.

# 186

## 191



### CHAMBER SAFE

A high performance, refractory parging material designed to strengthen, streamline, and restore the critical smoke chamber area in masonry chimneys.

## 180



### WATER REPELLENTS

Specifically designed for chimneys, ChimneySaver has been used by professionals for nearly 20 years to reduce water penetration into masonry by 99.9%!

## 183



### SILICONE SEALANTS

Make sure to always have these silicone sealants on hand! They offer excellent adhesion to most plastics, metals, and glass.



Additional shipping charges may apply.

## GELCO CROWN FORMS

These reusable Gelco Crown Forms are made with durable steel, and designed to work on all masonry chimneys. The slanted crown form (pictured left) is angled at 8° with a 5 1/2" depth - creating crowns

from 10" x 10" up to 56" x 56". The straight-sided Gelco Crown Forms are also 5 1/2" deep, and are able to create crowns from 10" x 10" up to 92" x 92".

Please note: each pair contains two form sides. Therefore, two pairs must be ordered to make a complete Crown Form set! These crown forms allow for a minimum 1 1/2" overhang, or drip edge.

	10" - 28"	20" - 56"
<b>STRAIGHT-SIDED CROWN FORMS - 1 PAIR</b>	\$97.85 349910	- -
<b>SLANTED CROWN FORMS - 1 PAIR</b>	\$99.04 349911	\$176.51 349921

800.722.7230 | ONLINE ORDERING LINDEMANNCHIMNEYSUPPLY.COM



**PRODUCT ADVANTAGES:**

- **One Step Process! No Primers or Pre-Coats Required**
- **Fibered for Strength to Stop Water Intrusion**
- **Applies in Any Weather Condition & Temperature**
- **Finishes Clear**
- **Superior Adhesion**
- **Performs in Severe Conditions, Including: High UV Levels, Extreme Heat, Acid Rain & Foot Traffic**
- **Cured Sealant is Mildew Resistant**
- **Repairs Small Cracks**



**CROWN SAFE**  
**THE BEST CROWN PROTECTION AVAILABLE**

**DESCRIPTION:** Crown Safe is a high-performing, brushable, elastic sealant, with rubber-like flexibility designed to stop water intrusion into masonry chimney crowns, roofs, and various other building surfaces. Crown Safe's fibered formula produces a clear, see-through finish which is extremely flexible and highly resistant to tears, shears, stress, and weathering. The unique properties of this product allow successful application in extreme weather, such as freezing and wet conditions. Crown Safe is a registered trademark with U.S. Fireplace Products, Inc.

**APPLICATIONS:** When properly applied, Crown Safe is designed to stop water intrusion by adhering to asphalt shingles, coated steel, concrete, steel, vinyl, and other common building substrates. The unique Crown Safe formula produces a clear finish with exceptional adhesion, flexibility and resistance to tear, shear, stress, and weathering. Crown Safe is fibered for strength and designed to protect against extreme weather, such as wet and icy conditions. The semi-self-leveling, brushable grade consistency of Crown Safe allows the user to easily, and quickly apply this product. There is no primer required on most surfaces. If primer-less adhesion to a substrate is in question, a test application is recommended.

**PRODUCT COVERAGE:** One gallon (1 GAL) of Crown Safe brushable sealant will cover up to eighty (80) square feet at thickness of 1/16" to 1/8". Results may vary based on building substrate in which Crown Safe is applied.

**AREA PREPARATION:** For best results, areas to be sealed should be cleaned of loose debris, and standing water.

**INSTALLATION:** Please read the complete Installation Instructions for Crown Safe which are included on each container's label. Contact local building or fire officials about restrictions and application inspection in your area prior to application. Use of these materials other than as specified in this manufacturer's Product Data & Installation Instructions is prohibited. Application of Crown Safe brushable sealant should be performed by a qualified contracting professional. For additional questions please contact U.S. Fireplace Products, Inc. or your distributor.

Moderate amounts of dampness will not interfere with adhesion. For maximum adhesion to dirty, or heavily oiled surfaces, areas to be sealed should be wiped with a solvent based cleaner and allowed to dry. It is recommended to "tape off" application areas to prevent product "spillage", but not required.

**DIRECTIONS**

Apply Crown Safe coating with brush, trowel, or putty knife, applying slowly into seams and cracks using crisscross, "paint-like" strokes. Apply at rate of 1/16" to 1/8" per coat. Do not thin coat. Allow twenty-four (24) hours to cure. Inspect and recoat, if necessary. Paint after five (5) days, if desired.

**CLEANING:** Thoroughly clean tools or brushes with solvent based cleaners immediately, and before curing occurs. Cured material may be removed from tools by cutting or scraping. Observe precautions when using toxic or flammable solvent cleaners.

**CURING:** Crown Safe is tack free within four (4) hours of application. Finished Crown Safe applications should be allowed to cure for twenty-four (24) hours. After the initial twenty-four (24) hour curing, inspect and recoat area if necessary. If painting is required, allow Crown Safe to cures for five (5) days.

	Purchase Quantity	
	1 - 3	4+
<b>CROWN SAFE - 1 GAL. BUCKET</b>	<b>\$150.08</b> 720707	<b>\$104.95</b> 720707

**PROTECT YOUR CHIMNEY & MORE!**

**800.722.7230 | ONLINE ORDERING LINDEMANNCHIMNEYSUPPLY.COM**

Prices are subject to change. See our website for the most up to date pricing.

**MASONRY SUPPLIES & TOOLS**



## CROWNSEAL FLEXIBLE WATERPROOF COATING

CrownSeal can be used as a bonding mortar to replace badly spalled brick units or for parging over brick faces that may have spalled, if remaining brick is solid.

CrownSeal can be easily colored using standard mortar dye, and covers approximately 36 square feet (2 gal.) or 90 square feet (5 gal.) at 1/8" thickness.

**CROWNSEAL - 2 GAL. PAIL**

**\$141.84**  
750402

**CROWNSEAL - 5 GAL. PAIL**

**\$310.88**  
750405

In seasons where temperatures may fall to 45° and below after application, dry times of CrownSeal can be significantly increased.

## CROWNCOAT BRUSHABLE SEALANT

CrownCoat has a unique, quick drying, water based technology making it easy to brush on during application, and has become a favorite among chimney professionals! When applying this product, fill larger cracks and voids with patching cement or high quality caulk, then apply two coats of CrownCoat: a thin first coat, followed by a heavier top coat once the first coat has formed a tacky film (approximately 15 minutes) using 3" or 4" paint brushes (not included). CrownCoat cures completely in 2 - 4 hours, and covers approximately 40 square feet per gallon.



**CROWNCOAT - STANDARD, 2 GAL. CONTAINER**

**\$150.52**  
750408

**CROWNCOAT - BUFF GRAY, 2 GAL. CONTAINER**

**\$150.53**  
750408BG

**CROWNCOAT - STANDARD, 5 GAL. CONTAINER**

**\$301.99**  
750409

**CROWNCOAT - BUFF GRAY, 5 GAL. CONTAINER**

**\$301.99**  
750409BG

Cold Weather CrownCoat cures naturally in above freezing temperatures or accelerated "freeze-curing" in below freezing temperatures, down to -40° F. Cold Weather CrownCoat is ready to use, Apply with a 3" or 4" brush (not included), no mixing or special bonding agents required. The compounds in Cold Weather CrownCoat are solvent free, and will not harm the environment.

**ALL WEATHER CROWNCOAT - 1 GAL. CONTAINER**  
PREVIOUSLY COLD WEATHER CROWNCOAT

**\$86.61**  
750406



**PRO TIP:** This product is only available in white, use dyes for custom color.



**CROWNPREP** is a proprietary water-based acrylic conditioner. CrownPrep conditions and consolidates nearly all porous cement/mortar crown washes prior to application of products such as CrownCoat and CrownSeal, and improves the durability and adhesion of these repair coating products.

Surface and air temperatures should be a minimum of 45°F but not greater than 95°F. Do not apply if temperature expected to exceed these limitations within four hour period. Do not apply to wet, frozen or frost covered surfaces.

**CROWNPREP - 1/2 GAL. CONTAINER**

**\$35.28**  
750455

800.722.7230 | ONLINE ORDERING LINDEMANNCHIMNEYSUPPLY.COM

**CROWNSAVER CROWN REPAIR**



CrownSaver is a strong, cement based, long term crown repair product made with a blend of polymer modified hydraulic cements and powdered water repellent. For best results, cover the crown with FormFoil - a sticky, adhesive-backed, aluminum foil flashing (sold separately). Then, simply mix one scoop CrownSaver (measuring scoop included) with three scoops fine

mason's sand and water. Next, trowel over the crown at about 1/2" thickness (1/4" min. - 2" max).

Because CrownSaver is a cement-based coating, a 1/2" bead of caulk should be applied to the base of each flue tile to allow for expansion. This product comes with a ten-year warranty.



**CROWNSAVER - 5 GAL. PAIL**

**\$97.81**  
**750439**

**FORM FOIL - 9" X 50' ROLL**

**\$177.39**  
**751006**

**CEMENT & MORTAR**



Domestic Fireplace Mortar is a beige, ready to use, regular mortar. It was developed for installation of firebrick in masonry fireplace installations as well as various uses in chimneys, boilers, incinerators, furnaces, kilns, etc. Domestic Fireplace Mortar is an air setting product that may be water soluble in service. When used, 50 lbs.

will lay approximately 100 firebrick (2 1/2 inch thick) if joint thickness is 1/16" - 1/8" as recommended. Do not use on exterior applications or where moisture may be present. This product meets all local and national building codes, and is good for applications well over 2000° F.

**DOMESTIC FIREPLACE MORTAR - 15 LB. TUB**

**\$44.00**  
**720611**

**DOMESTIC FIREPLACE MORTAR - 50 LB. BUCKET**

**\$94.08**  
**720612**



CleanBurn™ Castable Refractory Cement is a dry-mix cement that sets and dries as hard as fire brick. This Castable Refractory Cement comes in a handy 25lb tub and is well up to the task of making indoor and outdoor firebox projects easy. This Castable Refractory Cement must be heat cured, after

which it can withstand 2700° F temperatures, and cures to a buff color. Firebrick cement is created to be used with masonry joints under 1/4" thick and is a ready mixed mortar that can be used for pouring custom shapes and firebox floors . May require layering for thicker applications. Contains aggregate.

**CLEANBURN™ CASTABLE REFRACTORY CEMENT - 25 LB. PAIL**

**\$52.19**  
**720625**



## CEMENT & MORTAR

Heat Stop (premixed) and Heat Stop II (dry mix) are refractory mortars developed for installation of firebrick in masonry fireplace installations. These also have many other uses such as in chimneys, boilers, furnaces, kilns, etc. Heat Stop (premixed) refractory mortar is gray in color and sold in 15 lb. or 50 lb. plastic pails. Heat Stop II (dry mix) refractory mortar is also available in a 10 lb. pail or 50 lb. bag. For estimating purposes, 50 lbs. will lay up approximately 100 firebricks (2 1/2" thick) if joint thickness is 1/16" - 1/8" as recommended. For Heat Stop II (dry mix), joint thickness up to 1/2" is acceptable.

Be sure to mix both mortars with water as directed. If Heat Stop (premixed) becomes frozen, unfreeze and mix thoroughly. Heat Stop (premixed) is an air setting product, however may be water soluble in service. Do not use on exterior applications or where excessive moisture may be present. Use Heat Stop II (dry mix) where moisture is present as this product is non-water soluble. These mortars meet and exceed all local and national building codes and are good for applications well over 2000° F.

**HEAT STOP (PREMIXED) - 15 LB. PAIL**

**\$45.76**  
**720515**

**HEAT STOP (PREMIXED) - 50 LB. PAIL**

**\$94.56**  
**720650**

**HEAT STOP II (DRY MIX) - 10 LB. PAIL**

**\$45.76**  
**720610**

**HEAT STOP II (DRY MIX) - 50 LB. BAG**

**\$92.12**  
**720550**

This Air-Set Refractory Fireplace Mortar is a ready-mixed, air-setting, medium duty refractory mortar formulated to be used with medium duty firebrick, and rated to 2700°F. Approximately 35 - 40 lbs. of mortar will lay up one hundred bricks (straights: 9" x 4 1/2" x 2 1/2"). When laying up brick, we recommend using 1/16" to 1/8" joints. Typical set time is between 48-72 hours and can vary based on temperature. This mortar is not for use in outside installations and is water soluble.

**AIR-SET REFRACTORY FIREPLACE MORTAR - 50 LB. BUCKET**

**\$116.82**  
**720450**



HeatShield® Fireplace Mortar is dry-mix refractory mortar designed for use in indoor residential fireplaces and masonry heaters. Because it is a dry mix, it can be mixed for dipping, grouting, and laying firebrick. After firing (use) the mortar becomes non water soluble. This mortar is extremely sticky and thermal shock resistant with service temperatures tested up to 2550°F (1399°C).

**HEATSHIELD FIREPLACE MORTAR FORMULA 17 - 20 LB. BUCKET**

**\$110.51**  
**720450**

**CEMENT & MORTAR**



This Fireplace Mortar (10.3 oz. cartridge) is formulated especially to patch fireplace fireboxes and to bond firebrick together. Fireplace mortar is a silicate product that, when fire cured, sets rock hard, and withstands 2000° F.

	Purchase Quantity	
	1 - 11	12+
<b>FIREPLACE MORTAR - BLACK, 10.3 OZ.</b>	\$9.04 742601	\$7.04 742601
<b>FIREPLACE MORTAR - BUFF, 10.3 OZ.</b>	\$9.04 742501	\$7.04 742501
<b>FIREPLACE MORTAR - GRAY, 10.3 OZ.</b>	\$9.04 742701	\$7.04 742701



This Black Furnace Cement is the perfect product to use on stoves, grills, furnaces, ovens, or any other high-temperature appliance or surface. It bonds metal to metal, and creates smoke-tight joints in any of the aforementioned appliances. This product withstands 2000° F operating temperatures.

	Purchase Quantity	
	1 - 11	12+
<b>FURNACE CEMENT - BLACK, CARTRIDGE</b>	\$7.07 742003	\$6.07 742003
<b>FURNACE CEMENT - BLACK, 1 PT.</b>	\$9.17 742005	\$7.17 742005
<b>FURNACE CEMENT - BLACK, 1 QT.</b>	\$16.67 742004	\$13.67 742004

Do-All+ Refractory Cement is a non-freezing, high temperature, non-asbestos, air-drying cement for setting and cementing furnaces, stoves, boilers, and chimney collars. It can be used for bedding and cementing firebrick and specially shaped combustion chambers or for topping the backfill of oil burner chambers. This product meets the NFPA 211 standard, and withstands temperatures up to 3000° F. It won't shrink, pull away, crack, sag or lose its sealing properties.

<b>DO-ALL+ REFRACTORY CEMENT - 1 GAL.</b>	\$39.03 301041
<b>DO-ALL+ REFRACTORY CEMENT - 2 GAL.</b>	\$69.85 301051





UL LISTED **ZERO CLEARANCE**



- Greatly improves draft
- Better workability
- Resists temperatures up to 2650° F
- Adds structural strength, and reinforces masonry walls
- Superior adhesion, sticks to any masonry
- Use to repair brick, block, stone, clay flues, and other clay products
- Designed for parge or cast applications



Product Brochures Available

CHAMBER SAFE

THE INDUSTRY LEADER



**Chamber Safe** is a high performance, refractory parging material designed to strengthen, streamline, and restore the critical smoke chamber area in masonry chimneys. The preferred choice of chimney professionals, Chamber Safe smooths jagged, corbelled walls typically found in the smoke chamber, and creates a smooth transition between the smoke chamber, and flue liner. Chamber Safe is the ideal choice for improving the flow or draft of the fireplace! The unique insulating properties of our Chamber Safe product improves the safety of the chimney by reducing radiant heat transfer through the smoke chamber.

Available in a 5 gal. container (net weight 30 lbs.), Chamber Safe can be installed by cast, parge, trowel, hand pack or grout bag method. Chamber Safe may be used for repairs to firebrick and masonry in smoke chambers, ash pits, clay flues, fireboxes, kilns, masonry heaters, masonry ovens, masonry walls, vent connections, wood stoves and more! This product meets ASTM standards (E-196, C199 & C401), is non-water soluble, and is UL listed to UL 1777.

A 3/8" Mixing Blade is a time-saving device, and can be used with Chamber Safe, TherMix Insulation, or other similar products. It is easy to use when mixing, and can be paired with a heavy-duty drill with clutch. The Chamber Safe Parging Tool comes

with a female ButtonLok end making it a great addition to any professional technicians arsenal, and the perfect solution for parging those tall, difficult smoke chambers.

**Directions:**

- Remove loose masonry and brush intended application surface clean
- For parge applications: add 3 - 4 cups of clean water to every 5 lbs. of Chamber Safe
- For casting or mortar: add 4 - 5 cups of clean water to every 5 lbs. of Chamber Safe
- Cold water offers maximum open time, warm water quickens set times
- Apply layers at a minimum of 1/4", to several inches thick
- Chamber Safe may be applied in more than one layer - allow 24 hours to dry before firing
- One 5 gal. (30 lb.) container of Chamber Safe can cover approximately 4 square feet at 1 1/2" thickness

**After cleaning out loose masonry, lightly pre-spray the smoke chamber with water using a spray bottle or similar device to further increase Chamber Safe's workability, and use cold water for best results!**

**CHAMBER SAFE - 5 GAL. BUCKET (30 LBS.)**

	Purchase Quantity		
	1 - 23	24 - 47	48+
	\$78.66	\$69.86	\$61.99
	720607	720607	720607

**CHAMBER SAFE™**

800.722.7230 | ONLINE ORDERING LINDEMANNCHIMNEYSUPPLY.COM

**CERFRACTORY PRODUCTS**



**PRIORFIRE FORMULA 51**

PriorFire Formula 51 can be troweled or hand packed over any brick, block or stone surface exposed to high temperatures such as smoke chambers, ash pits, vent connections and more. Formula 51 meets and exceeds all of the national and local building codes for new construction and repairs of masonry fireplaces and chimneys. Not suitable for food storage or food preparation areas. Meets ASTM C-199 (Medium Duty), and is non-water soluble when dry.

**PRIORFIRE FORMULA 51 (30 LBS.)**

**\$76.00**  
**750410**



**CERFRACTORY FOAM**

Cerfractory Foam smoke chamber sealant helps to ensure the safe and efficient operation of your fireplace. It is a high-temperature, expandable foam specially designed for sprayer applications to coat the walls of your smoke chamber, restoring the integrity of your fireplace. It seals gaps and cracks, and smooths any jagged and corbelled brick edges.

**CERFRACTORY FOAM - 25 LB. PAIL**

**\$148.47**  
**750411**



**SMOKETITE**

Smoktite® is a highly insulative ceramic product that is used to seal, smooth and insulate chimney smoke chambers without removing the damper frame or adjacent brickwork. Smoktite® sprays on to seal the surface with a durable ceramic coating that is good up to 2291 degrees Fahrenheit and is impervious to acids, vapors, and water.

Product highlights: Increases the safety of a home, improves the operation of the fireplace, and protects the smoke chamber. Repairs damage easily, without the removal of the damper frame and adjacent brickwork — no more hand-troweling!

The Smoktite® system is lightweight and portable enough to be in every chimney professional's service truck.

**SMOKETITE™ - 25LB BUCKET**

**\$130.00**  
**RT-STB Smoktite**

## THE HEATSHIELD PRIORFIRE RETROFIT FIREPLACE SYSTEM & DOME

The HeatShield PriorFire Retrofit Fireplace System (patent pending) is a lab tested, field proven, engineered fireplace. Because of its unique shape, materials, and "Air Wing" over-fire air injection system, it produces more heat, fewer emissions, and a tall "fun to watch" flame when compared to a traditional masonry fireplace.

### SOLVES FIREPLACE CLEARANCE PROBLEMS

The PriorFire Retrofit Fireplace System is UL listed zero clearance to combustibles with 4" nominal masonry.

### ONE SIZE FITS MOST

This unit can be installed in any residential fireplace with a width of 30"-41", an opening height of 26"-30", and a minimum depth of 22". Note: depth and interior width is easily achieved by removing the firebox rear and side walls before installing product.

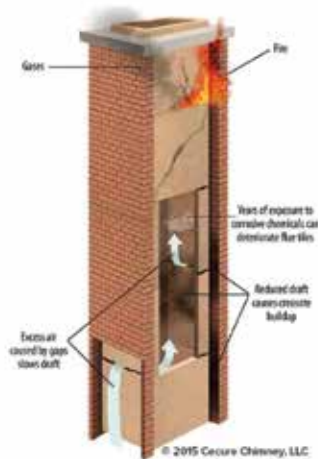
### PRODUCES 2-3 TIMES MORE HEAT THAN THE AVERAGE MASONRY FIREPLACE

The unit is built with light weight fire brick, so the firebox lining accumulates less heat than standard firebrick or heavy castable materials. More heat radiates into living spaces instead of absorbing into the surrounding masonry.

### CLEANER BURNING

The unique back wall "Air Wing" shape keeps the flame in contact with the rear wall of the fireplace. Preheated overfire air is syphoned or injected into the flame through the air injection slots in the back wall.

This secondary combustion feature burns off additional particulates before they reach the flue. More complete combustion means a more efficient fireplace with less pollution and less creosote buildup than a standard fireplace or similar products.



### THE PRIORFIRE SMOKE CHAMBER DOME

The PriorFire Smoke Chamber Dome, designed by Chris Prior and John Meredith makes it easy to transition the PriorFire Retrofit to an 8" liner for the P-24 and P-33 and a 9" liner for the P-33T.

It's made from durable 20ga 304 series stainless steel and only weighs 27 lbs. Because of its compact size, less demo work is needed when com-



**Before**

**HeatShield®**  
**PriorFire Retrofit**  
Fireplace System  
heatshieldchimney.com

**After**

800.722.7230 | ONLINE ORDERING LINDEMANNCHIMNEYSUPPLY.COM



**GRACO RTX 1400 TEXTURE SPRAYER**

The Graco RTX 1400 Texture Sprayer is a versatile tool that is perfect for applying HeatShield Cerfractory Foam to smoke chamber walls. With its high-output air compressor and adjustable material flow control, it ensures a consistent and professional finish. To apply HeatShield Cerfractory Foam to smoke chamber walls, contractors can use the sprayer with the appropriate nozzle. The lightweight air spray trigger gun and long material/air hose provide ease of use and maneuverability.

**GRACO RTX 1400 TEXTURE SPRAYER**

**\$2090.90**  
**300864**



**VENTUBES**

VenTubes are hollow cylinders constructed of 100% 304 stainless steel. Each tube measures ½" dia. x 4 ½" L, with a wire screen welded in the front of each tube preventing insect intrusion. VenTubes provide cross venting in chimneys with large cavity areas surrounding the flue liner, and prevent water damage caused by condensation.

**VENTUBES**  
**(PACK OF 12)**

**\$123.24**  
**750719**

**PWR - POWDERED WATER REPELLENT**

PWR (Powdered Water Repellent) is a powdered additive that is dry mixed with mortar or concrete to provide superior, and immediate water repellent properties after curing, without altering the surface color or appearance. This product can be added to mortar or concrete, forming permanent protection from water penetration, while allowing water vapor to escape. PWR can also be used while tuckpointing, or during the construction of brick walls and chimneys, as well as repairs to chimney crowns, parapet wall caps, and a variety of other projects.

**PURCHASE QUANTITY**

	<b>1 - 5</b>	<b>6+</b>
<b>PWR, POWDERED WATER REPELLENT - 1 LB.</b>	<b>\$40.55</b> <b>759001</b>	<b>\$38.52</b> <b>759001</b>



**Pro Tip:** The advantage of PWR is that you can waterproof with ChimneySaver immediately following tuckpointing repairs instead of waiting 3 - 5 days for the mortar to cure!



## CHIMNEYSAVER WATER REPELLENTS

### CHIMNEYSAVER - WATER BASED, MULTI-PURPOSE

ChimneySaver - Water Based, Multi-Purpose is an architectural grade product that meets all industry guidelines for selection of commercial water repellents for masonry, bonding with the minerals in concrete and masonry to provide long-lasting water repellency.



### CHIMNEYSAVER - WATER BASED

ChimneySaver Water-Base Water Repellent is a penetrating, V.O.C. compliant, water repellent which contains a proprietary modified siloxane. This water-based siloxane penetrates masonry up to 1/4 inch or more depending on surface porosity and moisture content at the time of application. Long-term moisture protection.

### CHIMNEYSAVER ADVANCED WATER REPELLENT

ChimneySaver Advanced Water Repellent is specifically designed to shield masonry chimneys from the harmful effects of water and waterborne chemicals. It effectively prevents water penetration and damage caused by water. ChimneySaver Advanced Water Repellent utilizes a unique polysiloxane compound that showcases exceptional performance, rivaling that of a solvent-based product.



MASONRY SUPPLIES & TOOLS



CHIMNEYSAVER - WATER BASED (6 GAL., WHILE SUPPLIES LAST)	<b>\$202.32</b> 750205A
CHIMNEYSAVER - WATER BASED (5 GAL.)	<b>\$202.32</b> 750205
CHIMNEYSAVER - WATER BASED (30 GAL. DRUM - NO SIPHON PUMP)	<b>\$1,213.80</b> 750230
CHIMNEYSAVER - WATER BASED, STAINBLOCKER (1 GAL.)	<b>\$66.65</b> 750118
CHIMNEYSAVER - WATER BASED, MULTI-PURPOSE (5 GAL.)	<b>\$245.76</b> 750305

800.722.7230 | ONLINE ORDERING [LINDEMANNCHIMNEYSUPPLY.COM](http://LINDEMANNCHIMNEYSUPPLY.COM)

## CHIMNEYSAVER ACCESSORIES

### HEAT SHIELD TIE COAT ACCELERATOR - 4 LB. PAIL

One half cup of Tie Coat Accelerator is added to each 50 lb. bucket of HeatShield Cerfractory Flue Sealant to reduce the drying time of the tie coat application, allowing you to perform the resurfacing repair sooner and save time on the job.



**HEAT SHIELD TIE COAT ACCELERATOR -4 LB. PAIL**

**\$199.92**  
**750205A**

MASONRY SUPPLIES & TOOLS



### HEATSHIELD ADHESION PROMOTER

HeatShield Adhesion Promoter is a liquid additive that may be added to HeatShield Cerfractory Flue sealant or HeatShield Cerfractory Foam upon mixing to further promote adhesion or bonding to flue tiles and masonry surfaces. Because the interior surfaces of masonry chimneys and fireplaces are often difficult to clean and prep, the use of HeatShield Adhesion Promoter ensures maximum bonding potential.

HeatShield Adhesion Promoter is a clear, syrupy liquid that replaces a portion of the water used for mixing. It also improves strength by reducing the total amount of water required for application. Each gallon of Adhesion Promoter is adequate for mixing 5-50 lb. pails of HeatShield or 10-25 lb. pails of Cerfractory Foam.

**HEAT SHIELD ADHESION PROMOTER**

**\$199.92**  
**750205A**

### HEAT SHIELD CLEAN & ETCH

HeatShield Clean & Etch cleans and etches all clay flue liner interiors for improved adhesion. This product is a must for flue tiles with a glazing compound that was applied at the time the flue tile was manufactured. Flue tiles manufactured in this manner have a shiny finish, similar to pottery, ceramic tile, terra cotta sewer or water pipe.

Clean & Etch cleans residual dust and soot (not glazed creosote – for this, use PCR) and chemically roughens the surface to improve the mechanical and chemical bond of HeatShield Cerfractory Flue Sealant to all clay flue liner systems. Clean & Etch is a hydrofluoric acid generator, which generates an acid etching material upon contact with clay flue liners (or any silica-containing surface) in as little as 15 seconds. It requires no neutralization or rinsing. Once Clean & Etch has dried, flue tiles are ready for coating.



**HEATSHIELD CLEAN & ETCH**

**\$199.92**  
**750205A**

## CHIMNEYSAVER ACCESSORIES



### HEATSHIELD WINCH

The HeatShield Winch is used for resurfacing applications to pull the foam, pulling heads up through the chimney and apply HeatShield Cerfractory Flue Sealant.

### HEATSHIELD WINCH



### PULLING HEADS

Pulling heads are used to apply HeatShield Cerfractory Flue Sealant. Use the below chart below to determine which size you need.

### PULLING HEADS

RECTANGLE OR OVAL FLUES			
PULLING HEAD	SHAPE OF FLUE	FLUES	FLUE LENGTH
RO-270	RECTANGLE OR OVAL	8 X 12	5"-9" X 10"-13"
RO-211	RECTANGLE OR OVAL	8 X 16	5"-9" X 13"-18"
RO-711	RECTANGLE OR OVAL	13 X 18	10"-13" X 13"-18"
SQUARE FLUES			
PULLING HEAD	SHAPE OF FLUE	FLUES	FLUE LENGTH
RS-44	SQUARE	8 X 8	5"-9"
RS-77	SQUARE	13 X 13	10"-13"
RS-110	SQUARE	18 X 18	14"-20"
ROUND FLUES			
PULLING HEAD	SHAPE OF FLUE	FLUES	FLUE LENGTH
RS-44	ROUND	8 X 8	7"-12"
RS-77	ROUND	13 X 13	13"-17"
RS-110	ROUND	18 X 18	18"-22"



### LARGE GORILLA MIXING TUB 10 GALLONS

Designed for the demands of the chimney trade—ideal for blending chamber materials, mortar, or castable mix. Rugged, lightweight, and easy to clean, it's the jobsite essential that keeps your workflow smooth and your mix consistent.

### ADJUSTABLE HIGH-SPEED MIXER



### ADJUSTABLE HIGH-SPEED MIXER

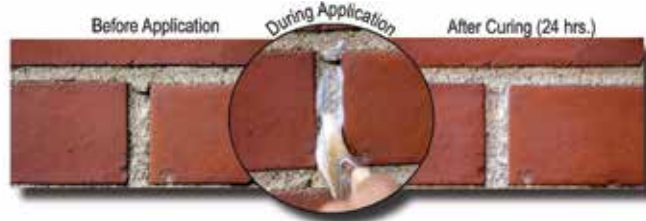
Mix Smarter. Work Safer. This high-powered mixer is designed specifically for the chimney industry, delivering fast, consistent mixing of chamber materials with minimal effort. Its durable build and efficient design help reduce labor time while ensuring a smooth, reliable mix every time. Get the job done cleaner, quicker, and safer.

### ADJUSTABLE HIGH-SPEED MIXER

\$000.00  
000000

800.722.7230 | ONLINE ORDERING [LINDEMANNCHIMNEYSUPPLY.COM](http://LINDEMANNCHIMNEYSUPPLY.COM)

**CHIMNEY REPAIR**



Crack & Joint Sealant is a unique, breathable, silicone elastomeric sealant for mortar joints used to repair exterior cracks and prevent leaks in mortar on chimneys, brick walls, and between concrete or stone masonry units. This brushable sealant can easily seal cracks up to 1/8" wide on mortar, and brick joints to provide waterproof protection. Crack & Joint Sealant can be combined with water based ChimneySaver products immediately after application, or solvent based ChimneySaver products after the application has completely dried. This product is available in 1/2 gallon containers, comes with a ten-year warranty, and includes two application brushes: 1" brush for vertical joints, and 4" brush for horizontal joints.

Chimney Masonry Patch is easily applied to broken or missing mortar joints in chimneys or cracks in steps, sills, sidewalks or foundations. It dries to a hard, tough, weather-resistant finish in a natural concrete color. In a few minutes, it skins over and cures in a day or more, depending on thickness of the patch.

**CRACK & JOINT SEALANT -**  
**1/2 GAL. CONTAINER**

**\$149.10**  
**759002**

**CHIMNEY MASONRY PATCH -**  
**10.3 OZ. CARTRIDGE**

**\$10.58**  
**742903**

**MASONRY SUPPLIES & TOOLS**

**CROWN SAFE™**  
**Clear Elastic Sealant**

**Stops Water Intrusion Instantly!**



## FLASHSEAL FLASHING & ROOF REPAIR



FlashSeal is a flexible, elastomeric sealant specially formulated for adhesion to asphalt shingles, aluminum flashing, brick, and other chimney and roofing materials. This product is a quick, and effective flashing repair system that stops leaks from faulty or deteriorated flashing around chimneys, stacks, skylights, and vents. For those faulty flashings that have been tarred, retarred, or

cracked - easily brush-on 1/8" of FlashSeal, place the reinforcement fabric over the base coat, then follow with an additional 1/8" top coat. FlashSeal is available in one gallon containers with choice of either black, brown, or white. One gallon of FlashSeal covers 28 linear feet, and includes a seven-year warranty when used as directed.



Before



After



FLASHSEAL - BLACK, 1 GAL.

**\$73.95**  
750103

FLASHSEAL - BROWN, 1 GAL.

**\$73.95**  
750107

FLASHSEAL - WHITE, 1 GAL.

**\$73.95**  
750106

REINFORCEMENT FABRIC - 6" X 150'

**\$22.97**  
750104

MASONRY SUPPLIES & TOOLS

## COMBUSTION AIR VENTS

The Drescher Combustion Air Vent is a fireplace accessory designed to enhance the efficiency of masonry fireplaces by supplying combustion air directly from outside the home. By drawing in fresh, unheated air, it reduces the reliance on heated indoor air for combustion, thereby improving energy efficiency and reducing heating costs.

### Features and Benefits

**Material:** Constructed from durable cast iron, ensuring longevity and resistance to high temperatures.

**Airflow Control:** Equipped with a mechanism to adjust the airflow, allowing for optimal combustion control.

**Compliance:** Designed to meet NFPA 211 standards, making it suitable for both new and existing masonry fireplaces.

**Efficiency:** By utilizing outside air, it enhances fireplace efficiency and reduces energy consumption.

DRESCHER COMBUSTION AIR VENT	<b>\$135.29</b> 850901
DRESCHER COMBUSTION AIR VENT LOUVER - 4"	<b>\$13.10</b> 850902



### HOW IT WORKS...





**GASKET CEMENT**

Gasket Cement (2.7 oz.) withstands temperatures up to 2000° F. Use for metal to metal, or masonry to metal repairs.

GASKET CEMENT - 2.7 OZ.	PURCHASE QUANTITY	
	1 - 11	12+
	\$7.12	\$5.99
	743001	743001

**SILICONE SEALANT**

These sealants are high-performing, neutral cure silicones, offering excellent adhesion to most plastics, metals, and glass including top plates, storm collars, and more. It's fast curing, contains no solvents, and is non-corrosive. It does not shrink or harden.

	PURCHASE QUANTITY	
	1 - 11	12+
500° BLACK SILICONE SEALANT - 10.3 OZ. CARTRIDGE	\$18.03	\$14.45
	742001	742001
500° CLEAR SILICONE SEALANT - 10.3 OZ. CARTRIDGE	\$18.03	\$14.45
	742101	742101



**MASONRY SUPPLIES & TOOLS**



600 Degree Hi-Heat Red Silicone Sealant forms a tough, rubbery seal and is rated for 600° F. This product has no harsh odor, making it the perfect choice for application in confined areas. This sealant is ideal for pellet vent, direct vent, gas and oil venting applications.

600° HI-HEAT RED SILICONE SEALANT - 10.3 OZ. CARTRIDGE	PURCHASE QUANTITY	
	1 - 11	12+
	\$15.99	\$14.99
	742907	742907

Use Seal It Right for direct vent appliances to create a gasket seal. It easily releases for cleaning and inspection, and withstands temperatures up to 800° F with no harsh odors.

SEAL IT RIGHT SEALANT - BLACK LATEX, 10.3 OZ. CARTRIDGE	PURCHASE QUANTITY	
	1 - 11	12+
	\$18.24	\$16.24
	742910	742910

**800.722.7230 | ONLINE ORDERING LINDEMANNCHIMNEYSUPPLY.COM**

Prices are subject to change. See our website for the most up to date pricing.

## ACCESS & CLEANOUT DOORS

Lyemance Cast Aluminum Cleanout Doors are fully insulated and provide easy access to your masonry chimney for cleaning and inspections.



SIZE	ACCESS OPENING	MASONRY OPENING	OUTSIDE FRAME
8" x 8"	7 <sup>5</sup> / <sub>8</sub> " x 7 <sup>5</sup> / <sub>8</sub> "	8 <sup>1</sup> / <sub>8</sub> " x 8 <sup>1</sup> / <sub>8</sub> "	10 <sup>1</sup> / <sub>2</sub> " x 10 <sup>1</sup> / <sub>2</sub> "
8" x 12"	7 <sup>7</sup> / <sub>8</sub> " x 12 <sup>3</sup> / <sub>8</sub> "	7 <sup>7</sup> / <sub>8</sub> " x 12 <sup>3</sup> / <sub>8</sub> "	10 <sup>7</sup> / <sub>8</sub> " x 15 <sup>5</sup> / <sub>16</sub> "
12" x 12"	12" x 12"	12 <sup>3</sup> / <sub>8</sub> " x 12 <sup>3</sup> / <sub>8</sub> "	15 <sup>5</sup> / <sub>16</sub> " x 15 <sup>5</sup> / <sub>16</sub> "

### PURCHASE QUANTITY

	1 - 4	5+
<b>LYEMANCE CLEANOUT DOOR - 8" X 8"</b>	\$98.68 121388	\$88.81 121388
<b>LYEMANCE CLEANOUT DOOR - 8" X 12"</b>	\$113.20 121382	\$101.88 121382
<b>LYEMANCE CLEANOUT DOOR - 12" X 12"</b>	\$127.87 121322	\$109.67 121322

The Handy Man Masonry Cleanout Door is designed to be mortared into the chimney, and provides excellent access for cleaning, and inspections. Opening the door is easy, just lift up and out!

SIZE	ACCESS OPENING	MASONRY OPENING	OUTSIDE FRAME
Small	5" x 7"	7 <sup>1</sup> / <sub>2</sub> " x 10 <sup>1</sup> / <sub>2</sub> "	7 <sup>1</sup> / <sub>2</sub> " x 10 <sup>1</sup> / <sub>2</sub> "

**AHRENS HANDY MAN MASONRY CLEANOUT DOOR - SMALL**      \$48.53  
760603



This Galvanized Steel Cleanout Door has a 7 1/4" x 7 1/4" opening, 11" x 11" outside dimensions, and is a serviceable cleanout door at an economical price. Great for easily cleaning your fireplace and chimney flue!



### PURCHASE QUANTITY

	1 - 5	6 - 11	12+
<b>GALVANIZED STEEL CLEANOUT DOOR</b>	\$25.15 850488	\$22.50 850488	\$20.00 850488

This cast iron Ash Dump Door is 4 1/2" x 9" and allows you to clean your fireplace and chimney flue with ease. These are an essential component for maintaining the health and function of your chimney.

### PURCHASE QUANTITY

	1 - 5	6 - 11	12+
<b>ASH DUMP DOOR - CAST IRON, 4 1/2" X 9"</b>	\$23.89 850349	\$21.50 850349	\$19.00 850349



# HEARTH & FIREPLACE 211-234



## FEATURED: SKAMOL PANELS

These panels are easy to install requiring only simple wood working tools, Add a sophisticated look to any hearth or fireplace.

# 212

## 225



### FIREPLACE GRATES

Cast-Iron, Steel Bar, and Self-Feeding; all are made of cast-iron, and won't warp or burn out.

## 228



### FIREPLACE SCREENS

This quality, pre-packaged Replacement Mesh offers excellent spark protection, and elegance for any fireplace.

## 231



### UNIVERSAL THERMOMETERS

The CleanBurn Universal Woodstove Thermometer can be used for inner and outer pipe readings, and is best used for stovepipes and stove tops!

## SKAMOL PANELS



Skamol Panels are an attractive, factory-built, panel replacement option, that are easy to work with and feature a three-dimensional appearance. Check out the fireplaces (above) in which Skamol Panels have been installed.

Although some stove manufacturers are starting to use Skamol Panels, don't replace the existing stove firebrick unless approved by the wood stove manufacturer. **Skamol Panels are not to be used on the floor of wood burning fireplaces or under stoves. We recommend using Heat Stop refractory mortar (page 175) to build the floor of your firebox!**

Skamol Panels are free from asbestos, and are tested twice; once at the manufacturing plant under strict regulations, and once before they are shipped overseas. Because of the unique location that the materials are mined from, you won't find any panels exactly like these. They are easy to cut and handle making for quick, clean installations.

Brick Pattern Dimensions - 7 1/2" x 2 1/2"

Herringbone Pattern Dimensions - 6" x 1 1/2"

**Product shipped by freight line, fees may apply.**

- Lightweight vermiculite
- Cut with standard woodworking tools
- Superior insulation capacity
- High mechanical strength
- Thermal shock resistance
- No ceramic fibers or dusting

**Volume Discounts Available**  
35 panels | 70 panels (full pallet)

Check out our Heat Stop refractory mortars on page 175 for options when building out the floor of your firebox!

	1" x 24" x 39 5/8"	1" x 39 1/4" x 49 5/8"	PURCHASE QUANTITY		
<b>BRICK</b>		<b>\$174.99</b> 620102	1 - 34	35-69	70+
<b>HERRINGBONE</b>	<b>\$69.99</b> 620101	-			
<b>SKAMOL PANEL BRICK 1" X 24" X 39 5/8"</b>			<b>\$98.00</b> 620100	<b>\$88.20</b> 620100	<b>\$83.30</b> 620100

**800.722.7230 | ONLINE ORDERING LINDEMANNCHIMNEYSUPPLY.COM**

**SKAMOL PANELS**



**Benefits of Skamol Panel**

- A multitude of design possibilities
- High temperature resistance
- Low heat accumulation in lining materials
- Good thermal shock resistance
- High mechanical strength
- Good insulation capacity providing better combustion and cleaner waste gas
- No ceramic fibers
- Non-dusting surfaces, non-irritant, odorless
- **Using only ordinary wood working tools, Skamol Panels are very easy to fit & install**

**Easy as 1-2-3!**



**1**

**Layout**



Place & Trace



Ready to Cut

**2**

**Cut for Custom Look & Fit**



**Drilling  
Sawing  
Routing  
& More!**



**3**

**Install in Fireplace**

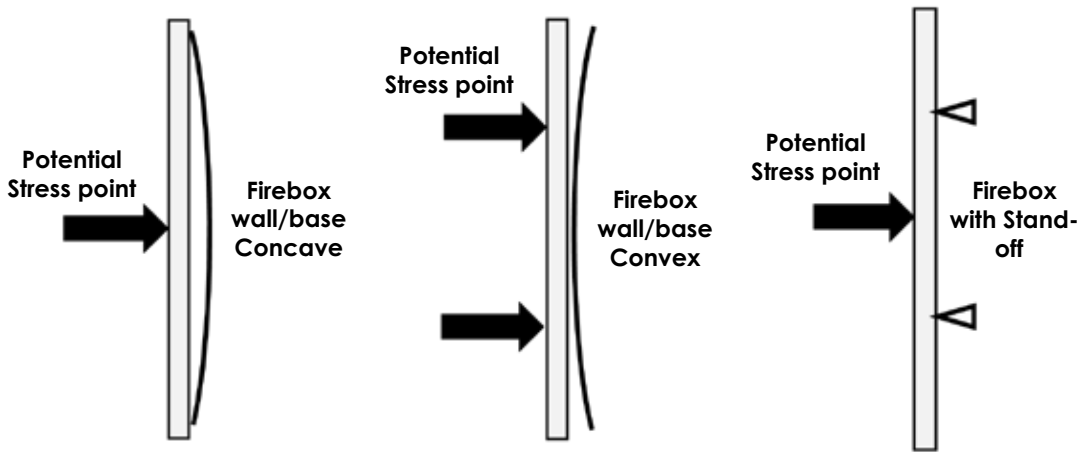


See Installation Tips on Next Page

\*Please note: Skamol panels were not used for firebox floor during this installation\*

## SKAMOL PANELS - INSTALLATION TIPS

Before installing the refractory panels, inspect the firebox to ensure that all internal mounting surfaces are flat. Our panels cannot be installed when the mounting surfaces are concave, convex, or have any type of internal standoffs, causing future stress cracks.



*Do not use screws or adhesive to fasten panels in place, use 'Z' clips, located at top of the panel.*

*Refractory panels must be allowed to expand and contract, due to their expansion. See below.*

### A rule of thumb when installing Skamol panels: **Inside Dimension x 0.985 = Panel Dimension**

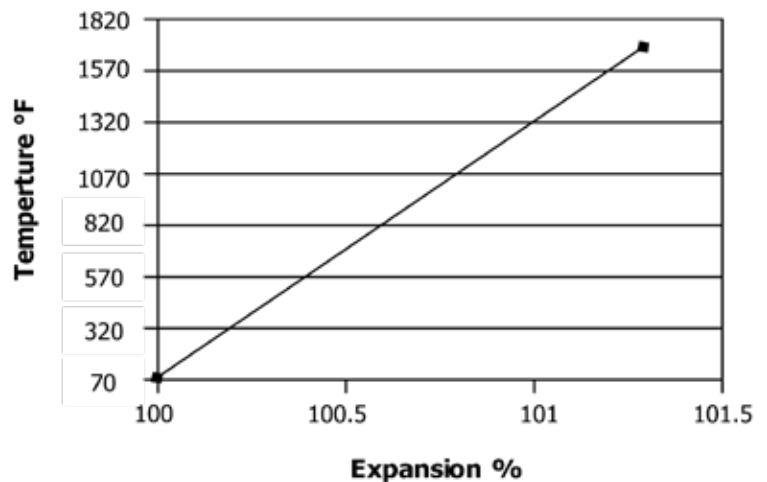
(Example: 30" ID = 30 x .985 = 29.55" panel size)

By applying this simple rule, you will allow up to 1.5% expansion ensuring the allotment of movement as well as adding a safety factor!

### IMPORTANT NOTE:

*Panels will expand and contract as temperatures inside the fireplace increase or decrease, making it important to incorporate a necessary allotment when installing new panels. The installation must take place in a way that allows refractory panels to freely expand and contract! This diagram describes panel expansion from ambient temperature 70° F to combustion temperatures reaching 1600° F. At 1600° F panels will expand 1 - 1.2%.*

**Thermal expansion of panels**



**SKAMOTEC 225**



Skamol introduces an innovative, new method of building fireplace enclosures. SKAMOTEC 225, a non-combustible building board, simplifies the construction process by eliminating the need for steel or wood frame construction.

**Product shipped by freight line, does not qualify for free shipping.**

**Discover the SKAMOTEC Advantage**

- Fire protection: non-combustible  
UL Classified: ASTM E136E  
UL Listed: CAN/ULC-S114
- Excellent thermal protection  
R-value = 3.57 | K-value = .28
- Withstand temperatures up to 1832° F
- Extremely lightweight:  
50% lighter than other non-combustible board
- Simplifies the construction process to one building material
- Save time & labor costs
- Quick & easy to install with common woodworking tools
- Ease of application in applying finishing materials
- Non-toxic & landfill friendly

**Board Size**

Thickness x Width x Length (Weight): 1.5" x 48" x 80.31" (46.29 lb.)

**1.5" x 48" x 80.31"**

**SKAMOTEC 225**

**\$165.38**  
**620103**



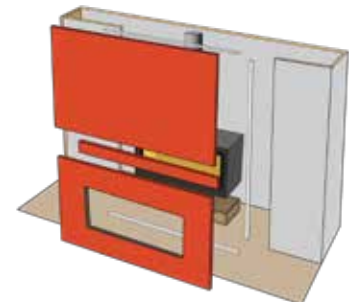
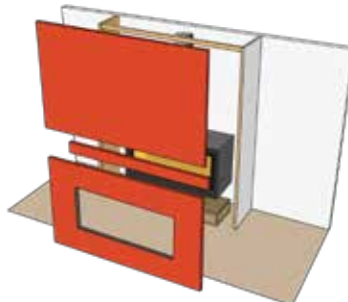
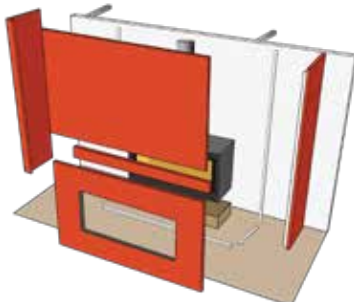
**SKAMOTEC Front Face  
Flat Wall Installation**



**SKAMOTEC Front Face  
Box Wall Installation**



**All SKAMOTEC  
Box Wall Installation**



**800.722.7230 | ONLINE ORDERING LINDEMANNCHIMNEYSUPPLY.COM**

Prices are subject to change. See our website for the most up to date pricing.

## REFRACTORY PANELS

Refractory Panels are manufactured using high quality concrete. These Refractory Panels serve two main purposes:

- Refractory Panels reflect heat from the fireplace, back into the room
- Refractory Panels keep heat from penetrating into the firebox and causing damage

Most factory-built fireplace manufacturers require the replacement of Refractory Panels when cracks are the thickness of a dime. Replacement panels are

also necessary when the surface of the Refractory Panel has abraded more than 1/4".

Always use the following safety materials when cutting Refractory Panels because refractory dust can cause eye and lung irritation: **safety glasses, gloves, dust mask.**

**Tier pricing only available when purchasing in quantities of 15 (full pallet).**

**Product shipped by freight line, does not qualify for free shipping.**



When used according to manufacturer's instructions this product is accepted by the Chimney Safety Institute of America. For improved safety and home heating efficiency, CSIA recommends that all chimneys and vented appliances be inspected every year by a CSIA Certified Chimney Sweep® or CSIA Certified Dryer Exhaust Technician®. To find a CSIA credentialed professional in your area, please visit [www.csia.org](http://www.csia.org)



**PFP2434SB**

Bricks measure 2" x 6 1/2"



**PFP2442LB**

Bricks measure 4" x 8"



**PFP4224SB**

Bricks measure 2" x 6 1/2"



**PFP4224LB**

Bricks measure 4" x 8"

### PURCHASE QUANTITY

1 - 14

15+

**SMALL BRICK - 1 1/8" X 24" X 34"**

**\$126.60**  
**PFP2434SB**

**\$113.95**  
**PFP2434SB**

**SMALL BRICK - 1 1/8" X 42" X 24"**

**\$135.63**  
**PFP4224SB**

**\$122.07**  
**PFP4224SB**

**LARGE BRICK - 1 1/8" X 24" X 42"**

**\$135.63**  
**PFP2442LB**

**\$122.07**  
**PFP2442LB**

**LARGE BRICK - 1 1/8" X 42" X 24"**

**\$135.63**  
**PFP4224LB**

**\$122.06**  
**PFP4224LB**

**800.722.7230 | ONLINE ORDERING LINDEMANNCHIMNEYSUPPLY.COM**

# ORDER ONLINE TAKE 10% OFF

YOUR FIRST ONLINE ORDER



- QUICK & EASY •
- ONLINE BILL PAY •
- ENTER & TRACK ORDERS •
- ACCOUNT MANAGEMENT •
- LIVE TECHNICAL SUPPORT •
- ORDER ANYTIME, ANYWHERE •
- LATEST PROMOTION & SPECIALS •

PROMO CODE FIRST10

LINDEMANNCHIMNEY.COM



## PETERSON GAS LOG SYSTEMS

### 1 CHOOSE YOUR GAS LOGS

Peterson Gas Logs are designed using real wood samples to meticulously recreate the intricate bark detail, and natural coloration, of deeply charred wood. Superior refractory ceramics ensure the logs retain their strength at high temperatures, and steel rods inserted in each log provide maximum reinforcement.

#### BURNER SYSTEMS & PILOT KITS SOLD SEPARATELY

- Burns efficiently while protecting natural resources and reducing pollution
- High definition bark and natural colors for an authentic wood look
- Radiant heat while in operation and after set has been turned off
- Accessories available to enhance the look of your hearth

HEARTH PRODUCTS

24" CHARRED MAJESTIC OAK GAS LOGS

\$572.07  
822001



18" CHARRED AMERICAN OAK GAS LOGS

\$457.97  
822002

24" CHARRED AMERICAN OAK GAS LOGS

\$495.54  
822003

30" CHARRED AMERICAN OAK GAS LOGS

\$634.25  
822004



18" CHARRED OAK GAS LOGS

\$344.15  
822005

24" CHARRED OAK GAS LOGS

\$421.77  
822006

30" CHARRED OAK GAS LOGS

\$519.84  
822007



800.722.7230 | ONLINE ORDERING [LINDEMANNCHIMNEYSUPPLY.COM](http://LINDEMANNCHIMNEYSUPPLY.COM)



**PETERSON GAS LOG SYSTEMS**

**2 CHOOSE YOUR BURNER SYSTEM**

**THE TRIPLE T BURNER SYSTEM**

The Triple T Burner System is a versatile, high BTU capacity, gas log pan that is designed to accentuate the front flame, and ember bed of a gas log set. They are compatible with most RealFyre log styles and control options, and are ANSI standard certified. Available in 16" - 60" (ANSI certified up to 36"), and natural or propane gas options. The Triple T Burner System is also available in see-thru, peninsula, island fireplace, or stainless steel models.

**Gas Logs Sold Separately.**



<b>18"/20" TRIPLE T BURNER SYSTEM VENTED</b>	<b>\$351.67</b> <b>822012</b>
<b>24" TRIPLE T BURNER SYSTEM VENTED</b>	<b>\$373.02</b> <b>822013</b>
<b>30" TRIPLE T BURNER SYSTEM VENTED</b>	<b>\$416.99</b> <b>822014</b>

HEARTH PRODUCTS

## GAS LOG SYSTEMS

### 3 CHOOSE YOUR PILOT KIT



**EPK - ELECTRONIC PILOT KIT**



**APK - AUTOMATIC PILOT KIT**

These automatic remote pilot kits come with a variety of options.

**The EPK-1** features flame sensing pilot activation and no standing pilot. It comes available with remote control or manual options.

**The APK-17** low profile valve system maximizes flame presentation and allows adjustment of flame height with remote control.

**The APK-11** includes a heat shield and is operated by on/off switch and/or remote control.

**The APK-15** allows adjustment of flame height and heat output with a remote control, and includes a heat shield and decorative wood chunk.

Each pilot kit comes standard with either a RR-1A remote (EPK-1, APK-11) or VR-1A remote (APK-17, APK-15).

<b>EPK-1 ELECTRONIC PILOT KIT</b>	<b>\$575.26</b> <b>822008</b>
<b>APK-17 AUTOMATIC PILOT KIT</b>	<b>\$474.47</b> <b>822009</b>
<b>APK-15 AUTOMATIC PILOT KIT</b>	<b>\$600.65</b> <b>822010</b>
<b>APK-11 AUTOMATIC PILOT KIT</b>	<b>\$573.45</b> <b>822011</b>

**GAS LOG SYSTEMS**

**4 SELECT ACCESSORIES**

Additional colors available,  
call for pricing!



Create a cozy and elegant environment in your home with the addition of these gas log accessories. Fire Glass shines radiantly and creates a brilliant reflection off its multi-faceted surfaces. It is fully tempered and tested up to 1200° F. These granules and embers further enhance your hearth by accentuating it's authenticity.

<b>COPPER REFLECTIVE FIRE GLASS - 10 LBS.</b>	<b>\$49.41</b> <b>822015</b>
<b>MIDNIGHT BLACK REFLECTIVE FIRE GLASS - 10 LBS.</b>	<b>\$47.79</b> <b>822016</b>



**VERMICULITE GRANULES**



**LAVA FIRE GRANULES**



**EMBER GLOW BAG**

<b>VERMICULITE GRANULES - 1.5 LBS.</b>	<b>\$27.33</b> <b>822017</b>
<b>LAVA FIRE GRANULES - 10 LBS.</b>	<b>\$35.46</b> <b>822018</b>
<b>EMBER GLOW BAG - 6 OZ.</b>	<b>\$25.10</b> <b>822019</b>

**800.722.7230 | ONLINE ORDERING LINDEMANNCHIMNEYSUPPLY.COM**

Prices are subject to change. See our website for the most up to date pricing.

GAS LOG SYSTEMS

**4** Select Accessories (cont.)

Maintain the fresh, bright look of your gas log fireplace all season long with CleanBurn™ Silica Sand. Replacing the sand is as easy as removing the old sand from the burner pan and pouring CleanBurn™ sand back in!

Available in either 10 lb. bags or 50 lb. buckets and made in the U.S.A.



	10 lb.	50 lb.
CLEANBURN™ SILICA SAND	\$20.50 720504	\$59.10 720506



These gas connector adapters are constructed of zinc plated carbon steel. They are approved and certified by the CSA for use with natural, manufactured, mixed liquefied petroleum gases, and liquid propane gas-air mixtures.

	3/8"
GAS CONNECTOR ADAPTER - OD FLARE X 1/2" FIP	\$6.70 489010

HEARTH PRODUCTS

# CROWN SAFE™

CLEAR ELASTIC SEALANT

## THE ULTIMATE ALL-WEATHER PRODUCT

APPLIES IN EXTREME WEATHER CONDITIONS & TEMPERATURES



SPRING



SUMMER



AUTUMN



WINTER

## ONE-STEP PROCESS!

NO PRIMERS! NO PRE-COATS!

**U.S. FIREPLACE PRODUCTS**



800.722.7230 | ONLINE ORDERING [LINDEMANNCHIMNEYSUPPLY.COM](http://LINDEMANNCHIMNEYSUPPLY.COM)

## GAS LOG SYSTEMS

### 4 Select Accessories (cont.)

The Universal Log Lighter allows a single log lighter to be easily converted, in just minutes, for either a straight or 90° angled installation. The log lighter is 21" long, with a 4" mixer, and 17" pipe.



	Natural Gas	Liquid Propane
<b>UNIVERSAL LOG LIGHTER - CARDED</b>	<b>\$28.19</b> 850602	<b>\$28.19</b> 850602LP



These Ball Valves turn a quarter-turn from the "On" to the "Off" position, regulating gas flow into your fireplace. Available in either Straight or Angled styles for 1/2" and 3/4" gas pipe sizes.

	Straight - 1/2"	Angle - 1/2"	Angle - 3/4"
<b>BALL VALVE - 1/4 TURN</b>	<b>\$17.47</b> 850301	<b>\$17.47</b> 850501	<b>\$21.17</b> 850701

These Universal Gas Valve Keys are available in brass and chrome finishes, and are designed to fit both 1/4" and 5/16" gas valve stems on our Straight and Angled Turn Ball Valves. The 3" and 8" stem lengths are carded; the 12" stem length is not carded.

	3"	8"	12"
<b>UNIVERSAL GAS VALVE KEY - POLISHED BRASS</b>	<b>\$6.49</b> 850604	<b>\$9.31</b> 850606	<b>\$12.89</b> 850618
<b>UNIVERSAL GAS VALVE KEY - POLISHED CHROME</b>	<b>\$6.49</b> 850605	<b>\$9.31</b> 850607	<b>\$12.89</b> 850612



## GAS LOG SYSTEMS

### 4 Select Accessories (cont.)



These floor plates are used to stylishly install the Universal Gas Keys, and are available in Brass and Chrome finish. They can be installed on the outside wall of the fireplace or floor. The face plate is 2 1/8" wide, shaft length 2 1/16" long, and shaft width of 1" OD.

	Brass	Chrome
<b>FLOOR PLATES</b>	<b>\$7.83</b> 850620	<b>\$7.83</b> 850621

This Universal Mixer is used for igniting wood burning or artificial log gas fireplaces. The air gas mixing chamber eliminates costly gas waste.



	Natural Gas	Liquid Propane
<b>UNIVERSAL MIXER</b>	<b>\$16.69</b> 850615	<b>\$16.69</b> 850616

HEARTH PRODUCTS



These 3/8" diameter NPT Burner Pipes are designed for gas fireplaces, and are made from low-carbon steel.

	12"	17"	24"	30"	36"
<b>BURNER PIPES - 3/8"</b>	<b>\$8.62</b> 850609	<b>\$9.62</b> 850617	<b>\$16.46</b> 850610	<b>\$18.93</b> 850611	<b>\$24.29</b> 850613

The HearthMaster T-Shape Log Lighter Bar comes with 16 flame outlets, 8 per side. Requires an angled valve - sold separately.



	Purchase Quantity	
	1 - 11	12+
<b>HEARTHMASTER T-SHAPE LOG LIGHTER BAR</b>	<b>\$28.20</b> 850601	<b>\$22.51</b> 850601



## GRATES

We have three styles of fireplace grates: Cast-Iron, Steel Bar, and Self-Feeding. Our Cast-Iron Grate is in one piece and has a basket design. The Steel Bar Grate is made of 5/8" welded steel bar stock. The Self-Feeding Grate has a sloped design that encourages the logs to move to the center as they burn, is made of cast-iron, and won't warp or burn out.

<b>17" CAST-IRON GRATE</b> (17" FRONT X 12" DEPTH X 12 1/2" BACK)	<b>\$121.81</b> 850218
<b>22" CAST-IRON GRATE</b> (22" FRONT X 12" DEPTH X 18 1/2" BACK)	<b>\$106.60</b> 850223
<b>27" CAST-IRON GRATE</b> (27" FRONT X 12" DEPTH X 22" BACK)	<b>\$116.40</b> 850226



<b>18" STEEL BAR GRATE</b> (18" FRONT X 12" DEPTH X 16" BACK, 5/8" BAR STOCK)	<b>\$54.95</b> 850216
<b>24" STEEL BAR GRATE</b> (24" FRONT X 12" DEPTH X 20" BACK, 5/8" BAR STOCK)	<b>\$65.55</b> 850222
<b>27" STEEL BAR GRATE</b> (27" FRONT X 12" DEPTH X 23" BACK, 5/8" BAR STOCK)	<b>\$79.09</b> 850228

<b>18" SELF-FEEDING GRATE</b> (18" FRONT X 12" DEPTH X 14" BACK)	<b>\$148.30</b> 850219
<b>22" SELF-FEEDING GRATE</b> (22 1/2" FRONT X 16" DEPTH X 18" BACK)	<b>\$168.25</b> 850220
<b>30" SELF-FEEDING GRATE</b> (30" FRONT X 16" DEPTH X 26" BACK)	<b>\$182.03</b> 850221



HEARTH PRODUCTS

## CROWN SAFE™

### Clear Elastic Sealant

ONE-STEP PROCESS! NO PRIMERS NO PRE-COATS

## ORDERING GLASS DOORS

*Golden Blount*

### 1 Find Your Model

Select your fireplace's width and height to find your model number

Model	Width	Height	Overall Size
3223	26" - 31"	20" - 23 1/2"	32 3/8" x 23 7/8"
3227	26" - 31"	23 1/2" - 27"	32 3/8" x 27 3/8"
3230	26" - 31"	26 1/2" - 30"	32 3/8" x 30 3/8"
3723	31" - 36"	20" - 23 1/2"	37 3/8" x 23 7/8"
3727	31" - 36"	23 1/2" - 27"	37 3/8" x 27 3/8"
3730	31" - 36"	26 1/2" - 30"	37 3/8" x 30 3/8"
3733	31" - 36"	29 1/2" - 33"	37 3/8" x 33 3/8"
4123	35 1/2" - 40 1/2"	20" - 23 1/2"	41 1/2" x 23 7/8"
4127	35 1/2" - 40 1/2"	23 1/2" - 27"	41 1/2" x 27 3/8"
4130	35 1/2" - 40 1/2"	26 1/2" - 30"	41 1/2" x 30 3/8"
4133	35 1/2" - 40 1/2"	29 1/2" - 33"	41 1/2" x 33 3/8"
4623	40 1/2" - 45 1/2"	20" - 23 1/2"	46 1/2" x 23 7/8"
4627	40 1/2" - 45 1/2"	23 1/2" - 27"	46 1/2" x 27 3/8"
4630	40 1/2" - 45 1/2"	26 1/2" - 30"	46 1/2" x 30 3/8"
4633	40 1/2" - 45 1/2"	29 1/2" - 33"	46 1/2" x 33 3/8"
5127	45 1/2" - 50 1/2"	23 1/2" - 27"	51 1/2" x 27 3/8"
5130	45 1/2" - 50 1/2"	26 1/2" - 30"	51 1/2" x 30 3/8"
5133	45 1/2" - 50 1/2"	29 1/2" - 33"	51 1/2" x 33 3/8"

HEARTH PRODUCTS

### 2 Choose Your Style



**Filigree  
Smoked or Clear Glass**

Traditional "Filigree" Style with 1/4" Tempered glass (smoked or clear glass). These doors are available in a range of finishes and sizes.



**Clean Face  
Smoked or Clear Glass**

Contemporary "Clean Face" Style with 1/4" Tempered glass (smoked or clear glass). These doors are available in a range of finishes and sizes.

800.722.7230 | ONLINE ORDERING [LINDEMANNCHIMNEYSUPPLY.COM](http://LINDEMANNCHIMNEYSUPPLY.COM)

## ORDERING GLASS DOORS

### 3 Choose Finish

AP AC TB BS BL CH RI OB



Finish options from left to right: Antique Pewter (AP), Antique Copper (AC), Textured Black (TB), Brushed Steel (BS), Black (BL), Charcoal (CH), Rusted Iron (RI), and Oiled Bronze (OB).

### 4 Choose Door Type



Bi-Fold Doors

OR



Fold-Back Doors

### 5 Choose Handle Style

Traditional



OR

Contemporary



### 6 Order Your Glass Doors

These beautiful Golden Blount Glass Doors are available in a wide variety of finishes, and provide customizable options at a reasonable price. These doors feature 1/4" tempered glass, cool-touch

handles, heavy-duty, 16 gauge hinges, and a variety of selectable features. Screens are provided with each custom door.

**Custom doors are drop-shipped direct from manufacturer, and do not qualify for free shipping. No returns on custom ordered items.**

3223	3227	3230	3723	3727	3730	3733	4123	4127
\$763.84 893223	\$763.84 893227	\$763.84 893230	\$763.84 893723	\$763.84 893727	\$763.84 893730	\$763.84 893733	\$763.84 894123	\$763.84 894127
4130	4133	4623	4627	4630*	4633*	5127*	5130*	5133*
\$763.84 894130	\$763.84 894133	\$763.84 894623	\$763.84 894627	\$763.84 894630	\$763.84 894633	\$763.84 895127	\$763.84 895130	\$763.84 895133

\*ships freight line

	1"	2"	3"
RISER BAR	\$95.00 895134	\$108.00 895135	\$108.00 895136

800.722.7230 | ONLINE ORDERING LINDEMANNCHIMNEYSUPPLY.COM

Prices are subject to change. See our website for the most up to date pricing.



Call For More Information!

## ADJUSTABLE FIREPLACE VALANCE KIT

These Adjustable Fireplace Valance Kits from Cascade Coils are available in a variety of standard and powder coated finishes, and adjust easily for fireplaces measuring 30.5" - 48" wide. If your customer is looking for a more customized screen panel to complete the look of their fireplace, we also offer replacement mesh panels, fully custom mesh panels, and wands or batons.

**Installation Tapcons Included!**  
**Special Powder Coat Finishes Available!**

**ADJUSTABLE FIREPLACE VALANCE KIT**

**\$78.97**  
**791000**

## FIREPLACE SCREENS

This quality, pre-packaged Replacement Mesh from Cascade Coils offers excellent spark protection, and elegance for any fireplace. This mesh comes packed in plastic bags with cardboard headers.

- Available in Pairs [2]
- 1/4" (19 gauge) or 3/16" (19.5 gauge)
- Options
- Black Steel Standard
- 24" Wide
- Includes Rings & Black Coil Tassel Pulls



Custom Fireplace Screens Are Available! Call For Details!

	16"	17"	18"	19"	20"	21"	22"	23"	24"	25"	26"	27"
<b>1/4" MESH (SET OF 2, 24")</b>	\$56.25 791001	\$56.25 791002	\$56.25 791003	\$56.25 791004	\$56.25 791005	\$56.25 791006	\$56.25 791007	\$56.25 791008	\$56.25 791009	\$56.25 791010	\$56.25 791011	\$56.25 791012
<b>3/16" MESH (SET OF 2, 24")</b>	\$82.71 791013	\$82.71 791014	\$82.71 791015	\$82.71 791016	\$82.71 791017	\$82.71 791018	\$82.71 791019	\$82.71 791020	\$82.71 791021	\$82.71 791022	\$82.71 791023	\$82.71 791024

Add Approximately 1/2" Height to Include the Rings! Custom Options Available, Call for Pricing.

## SMOKE GUARDS

These black and brass Smoke Guards reduce the fireplace opening and improve draft, easily correcting any smoke spillage problems. This product is easily installed, and features heavy, 26 gauge, tempered stainless steel springs to allow adjustments for fireplace openings from 28.5" - 48" wide.



	4" Black	4" Brass	6" Black	8" Black
<b>SMOKE GUARD</b>	\$68.12 850101	\$84.80 850102	\$72.86 850103	\$77.52 850104



**800.722.7230 | ONLINE ORDERING LINDEMANNCHIMNEYSUPPLY.COM**

## FIREBACKS

This 14-gauge, stainless steel fireback is painted black, and protects the structural integrity of the firebox by shielding masonry from 1/3 of the heat that would otherwise cause deterioration. Energy output is also increased by reflecting more heat and light back into the room. Stainless steel construction results in a lighter weight and less expensive fireback. The slotted base allows for adjustable installation (65° - 90°).

Paint will burn off with use.



	15" x 15"	16" x 18"	20" x 20"	24" x 24"	27" x 27"
<b>FIREBACK - PAINTED BLACK</b>	<b>\$67.84</b> 151515	<b>\$87.54</b> 151618	<b>\$123.93</b> 152020	<b>\$157.41</b> 152424	<b>\$160.86</b> 152727



## STOVE BOARDS

Stove Boards are necessary for floor protection with wood stoves and many other types of hearth appliances. These lightweight stove boards are UL listed, easy to maneuver, and can also be used as UL listed wall protection boards when the wall spacer kit is used.

We offer Gray Slate and Slate tile stove board, only available in size 36" x 36". Call for details!

**ADDITIONAL SHIPPING FEES MAY APPLY.**

	36" x 36"	36" x 48"	36" x 52"	48" x 48"
<b>BLACK STOVE BOARD</b>	<b>\$110.28</b> 153033	<b>\$144.61</b> 153034	<b>\$173.89</b> 153035	<b>\$206.89</b> 153036

HEARTH PRODUCTS

# EXPERIENCE

## THE LINDEMANN DIFFERENCE

FEEDING YOUR FIRE, FUELING YOUR GROWTH

ORDER ONLINE & SAVE!

LINDEMANNCHIMNEY.COM

800.722.7230 | ONLINE ORDERING LINDEMANNCHIMNEYSUPPLY.COM

Prices are subject to change. See our website for the most up to date pricing.

## HEARTH EXTENSIONS & SPACERS



This 18" x 48" Black Hearth Extension is approximately 1" thick and very rigid. It protects floors from intense heat, hot coals, ashes, and soot that wood and coal stoves can produce.

**BLACK HEARTH EXTENSION**

**\$70.08**  
**153014**

This Wall Spacer Kit keeps walls safe from hot wood or coal stoves. These pre-drilled, ceramic spacers create an insulative air space between heat shields and walls. This kit includes (10) 1" ceramic spacers, (10) 2 1/2" black oxide screws, 10 wall anchors (will need 1/4" hole drilled), and mounting instructions.



**WALL SPACER KIT**

**\$23.58**  
**153002**

HEARTH PRODUCTS

## FIREPLACE CLEANING TOOLS



**This Black Steel Hod**

is designed with an extra strong, corrugated body able to hold about three gallons of ash, and measures 12" W x 10" H x 10" D.

**The Black Ash Container & Shovel Set** holds six gallons of ash with its double bottom, and bail with wood handle - maximizing safety! The container measures 14" H x 14 3/4" D, with an 18" long shovel.



**BLACK STEEL HOD**

**\$44.45**  
**609002**

**BLACK ASH CONTAINER & SHOVEL SET**

**\$87.00**  
**609003**

**THERMOMETERS, SUPPRESSORS  
& SMOKE DETECTORS**



The CleanBurn™ Universal Woodstove Thermometer is optimal for stovepipes and stove tops! Use it for inner and outer readings with easy "place & go" setup. Just place the magnetic thermometer 12" - 18" above the stovepipe or the hottest spot of the top to ensure you're

burning at optimal levels whenever your stove is in use. Check the top ring for the stove top and the middle ring for the stovepipe. A simple three-sectional gauge of "Too Cool", "Optimal", and "Too Hot" helps you quickly adjust to the best range and temperature.

**CLEANBURN™ UNIVERSAL WOODSTOVE THERMOMETER**

**\$9.99**  
**610165**



FireEx Chimney Fire Suppressor helps smother flames quickly during a chimney fire. Just toss the whole bag into the fire, and it will immediately begin controlling the flames until the fire department arrives.

**FIREEX CHIMNEY FIRE SUPPRESSOR**

**\$28.99**  
**563110**



When chimney damage is suspected but you can't pinpoint the source, use Smoke Pellets for testing. They are easy to light, have a neutral odor, and are encapsulated for easy handling and clean-up. These pellets come in a box of ten.

**SUPERIOR SMOKE PELLETS (BOX OF 10)**

**\$29.64**  
**610599**

**HEARTH PRODUCTS**



**STOVE PAINT**

CleanBurn™ High Temperature Stove Paint is rated at a 1200°F heat resistance. Refinish your stove pipes with a clean, flat finish that has strong durability. CleanBurn™ High Temperature Stove Paint can be used for applications like repainting your firebox,

wood stove pipes, pellet vents, and exhaust manifolds. Paint works best when applied to a clean surface and can be applied directly.

**Case Quantity for CleanBurn Paint: 6**

**CLEANBURN™ HIGH TEMPERATURE STOVE PAINT - 12 OZ. SPRAY CAN FLAT BLACK**

**PURCHASE QUANTITY**

**1 - 5                      6+**

**\$15.15                      \$12.89**  
**610203                      610203**

**800.722.7230 | ONLINE ORDERING LINDEMANNCHIMNEYSUPPLY.COM**

Prices are subject to change. See our website for the most up to date pricing.

## STOVE BRIGHT PAINT

Stove Bright paint withstands temperatures up to 1200° F. It dries fast, holds its color, and is easy to apply. Use the prep prior to using one of Stove Bright's available colors. Ideal for wood, pellet, and gas stoves as well as stove pipes, engines, engine manifolds, and many other metal surfaces that are subject to high temperatures.

Stove Bright Spray Paint available in 12 oz. spray cans and case quantities of 12.

### PURCHASE QUANTITY

	1 - 11	12+
<b>FLAT BLACK</b>	\$14.25 406304	\$12.77 406304
<b>METALLIC BLACK</b>	\$15.28 406309	\$13.70 406309
<b>SATIN BLACK</b>	\$14.25 406990	\$12.77 406990
<b>PAINT PREP</b>	\$15.41 401801	—



## MORE STOVE BRIGHT PAINT COLORS



Use Stove Bright Paint Prep before applying any color

Charcoal	Metallic Brown	Golden Fire Brown	Mojave Red	Pewter	Sunset	Surf Sand
\$16.69 406201	\$16.69 406159	\$16.69 406230	\$16.69 406319	\$16.69 406321	\$16.69 406324	\$16.69 406325
High Heat Primer (Met. Red)	Leather Brown	Russett	Metallic Gray	New Sky Blue	Metallic Mahogany	Metallic Blue
\$18.48 406802	\$18.48 406146	\$18.48 406192	\$16.69 406193	\$18.48 406194	\$16.69 406195	\$18.48 406196
Moss Green	Forest Green	Redwood	Emerald Green	Adobe Tan	Almond	Silver
\$18.48 406197	\$18.48 406198	\$16.36 406192	\$18.48 406223	\$16.69 406224	\$18.48 406283	\$18.48 406265
Rich Brown	Gold	Sand	Bark Brown	Honey Glow Brown	Mauve	Patriot Blue
\$16.69 406298	\$28.94 406302	\$18.48 406307	\$18.48 406310	\$16.69 406311	\$18.48 406313	\$16.69 406318
Copper	Green Illusion	Shimmering Rose	New Bronze	Vent Pipe Black	Clear	Firebox Black
\$18.12 406230	\$18.48 406327	\$19.42 406329	\$18.48 406332	\$17.40 406999	\$18.48 407000	\$16.97 407000

## STOVE & GRILL PAINT

Stove & Grill Paint offers protection to stoves operating at very high temperatures (1400° F). Most paints will crack, peel, and otherwise deteriorate very quickly on the surface of a hot appliance. This paint offers you an alternative

that allows you to paint your stove in the style that you'd like, and in a way that can stand up to harsh treatment. It not only improves the look of your stove, but also enhances the life of the stove by preventing rust, wear, and weathering.

### PURCHASE QUANTITY

	1 - 11	12+
<b>STOVE &amp; GRILL PAINT - FLAT BLACK, - 12 OZ. SPRAY CAN</b>	\$17.19 742904	\$10.70 742904



800.722.7230 | ONLINE ORDERING LINDEMANNCHIMNEYSUPPLY.COM

**GASKET REPAIR**



Stove gasket replacement is a great way to make a little extra money while helping your customer. Old or damaged gaskets allow excess air into the stove affecting the efficiency and quality of the burn. This quality, graphite impregnated, black fiberglass gasket fits most air-tight wood stoves and fireplace inserts. The black color blends in and doesn't gum up as easily as untreated gaskets. These Rope Gaskets come in a variety of widths, and are all available in 7' lengths.

<b>ROPE GASKET – 3/8"</b>	<b>\$12.28</b> 743038
<b>ROPE GASKET – 1/2"</b>	<b>\$12.00</b> 743012
<b>ROPE GASKET – 5/8"</b>	<b>\$13.41</b> 743058
<b>ROPE GASKET – 3/4"</b>	<b>\$15.81</b> 743034
<b>FLAT GASKET – 5/8" X 1/8" DIAMET</b>	<b>\$ 8.91</b> 743158



These 54" long Wood Stove Window Gaskets are made with graphite fiberglass, and act as stove window tape. They feature a sticky, self-adhesive, "U" shaped channel that the glass of the stove sits in. This sticky side adheres to the glass until you place the glass back into the stove and their black color hides them from view.



<b>WOOD STOVE WINDOW GASKET – 11/16" X 3/16"</b>	<b>\$11.76</b> 743016
<b>WOOD STOVE WINDOW GASKET – 13/16" X 1/8"</b>	<b>\$11.85</b> 743036

Gasket Cement (2.7 oz.) withstands temperatures up to 2000° F. Use for metal to metal or masonry to metal repairs.

<b>GASKET CEMENT - 2.7 OZ.</b>	<b>PURCHASE QUANTITY</b>	
	<b>1 - 11</b>	<b>12+</b>
	<b>\$9.23</b> 743001	<b>\$7.23</b> 743001

This Fiberglass Insulation has pressure sensitive, adhesive, peel off backing that applies to the back of fireplace insert flanges to seal space.



<b>FIBERGLASS INSULATION – 1.5" X 10'</b>	<b>PURCHASE QUANTITY</b>	
	<b>1 - 5</b>	<b>6+</b>
	<b>\$22.06</b> 742002	<b>\$20.06</b> 742002

HEARTH PRODUCTS



## CLEANBURN™ FIREPLACE & STOVE DEODORANT

CleanBurn™ Fireplace & Stove Deodorant effectively absorbs and eliminates odors in chimneys, stoves, and fireplaces. Just raise the wick and set it in the firebox for a fresh scent that lasts about 30 - 90 days. Available in 1.5 ounce bottles in either Lemon or Natural scent.

**Case Quantity: 12**

**CLEANBURN DEODORANT  
- LEMON 1.5 OZ BOTTLE**

**CLEANBURN DEODORANT  
- NATURAL 1.5 OZ BOTTLE**

### PURCHASE QUANTITY

1 - 11      12+

**\$5.89      \$4.69**  
**610169L      610169L**

**\$5.89      \$4.69**  
**610169      610169**

## FIRESTARTERS

Safe Lite Fire Lighter Squares (Box of 24) light quickly and easily, even when wet, and burn for 8 - 10 minutes. Suitable for charcoal grills, fireplaces, stoves, and campfires, these compressed wood and wax based squares contain recycled wood and paper fiber.

**SAFE LITE FIRE LIGHTER SQUARES**

**\$7.47**  
**742902**



Gel Flame Liquid Kindling Firestarter is for pellet stoves, fireplaces, and cookouts. It is odor free, smokeless, and will not flavor food.

### PURCHASE QUANTITY

1 - 11      12+

**GEL FLAME LIQUID KINDLING FIRESTARTER**

**\$12.87      \$6.39**  
**743004      743004**

The Timburn Chimney Firestarter Pack includes a reusable Kindl-Stone ceramic lighting stone, and lights. It lights without kindling or risk of flare-ups as with traditional lighter fluids. This kit releases a natural additive to help treat and prevent dangerous creosote deposits that can lead to chimney fires. The kit has 25 lights per 32 oz. bottle, and is made in the U.S.A.

**Case Quantity: 12**



**TIMBURN FIRESTARTER KIT, CHIMNEY PACK  
(INCLUDES KINDL-STONE, MIXING/STORAGE CONTAINER AND 32 OZ.. BOTTLE OF FIRESTARTER)**

**\$29.19**  
**190011**

# SALES & MARKETING SUPPORT 211-212



## FEATURED: LINDEMANN U

**LINDEMANN U** events provide an intimate and high powered opportunity for dynamic, growth minded, business owners. Dedicate some off-site time with us to focus on bringing your business to the next level! Contact us today for more information!



## SALES & MARKETING SUPPORT

Providing friendly, and professional customer service at all times is a crucial aspect of a successful Chimney Service Company! Nothing shows professionalism like an informed, and detailed delivery of product information that can be easily presented to your customer.

The In-Home Sales Package contains the same literature that we equip our professional technicians with each time they visit a customer's house, to increase their likelihood of selling jobs on the spot! These On the Spot Sales are critical, and there are many steps that can be taken to help improve this aspect of your business strategy.

Remember, you should always try to get something signed while at the customer's house. Using the In-Home Sales Package when pitching repairs to your customer will help increase your chances of a signed proposal.



### IN-HOME SALES PACKAGE

**\$99.99**  
**IGR102**

SALES & MARKETING SUPPORT



INFORMATION SHEET	Generic	Custom
<b>FURNACE FLUE LINERS (PACK OF 25)</b>	<b>\$44.99</b> <b>IGR501</b>	<b>\$54.99</b> <b>IGR502</b>
<b>GAS BURNING FIREPLACES (PACK OF 25)</b>	<b>\$44.99</b> <b>IGR601</b>	<b>\$54.99</b> <b>IGR602</b>
<b>GLAZED CREOSOTE (PACK OF 25)</b>	<b>\$44.99</b> <b>IGR701</b>	<b>\$54.99</b> <b>IGR702</b>
<b>SMOKE CHAMBERS (PACK OF 25)</b>	<b>\$44.99</b> <b>IGR801</b>	<b>\$54.99</b> <b>IGR802</b>
<b>WOOD BURNING FIREPLACES (PACK OF 25)</b>	<b>\$44.99</b> <b>IGR901</b>	<b>\$54.99</b> <b>IGR902</b>

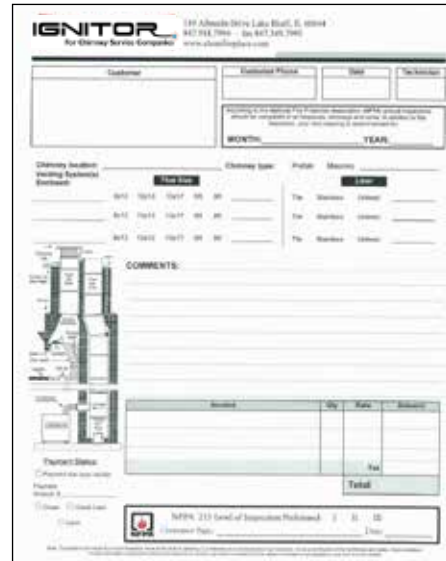
Show off your company's professionalism using these Service Fact Sheets to provide an informed, and detailed explanation of services you can provide to your customer. Easily and clearly present the facts about Wood Burning Fireplaces, Furnace Flue Liners, Smoke Chambers, Glazed Creosote, and Gas Burning Fireplaces to your customers! These fact sheets are elegant, and professional 8" x 10" glossy finished fliers. Available with generic or custom branding.

## GENERIC & BRANDED SUPPLIES



11 x 17, gloss paper, two-sided folded chimney lining brochure. Customization includes updated branding for your logo, contact information, and business "about" section.

	Generic	Custom Branded
<b>LINER BROCHURES (PACK OF 100)</b>	<b>\$108.99</b> <b>IGR301</b>	<b>\$159.99</b> <b>IGR302</b>



Two-part carbonless inspection form, printed black and white. Customization includes updated branding for your logo and contact information.

	Generic
<b>INSPECTION FORMS (PACK OF 100)</b>	<b>\$57.57</b> <b>IGR201</b>

	Custom Branded
<b>INSPECTION FORMS (PACK OF 250)</b>	<b>\$179.99</b> <b>IGR202</b>

## SWEEP DOLLS

Customers love these 1½" Plastic Sweep Figurines. Differentiate your company from your competitors. You aren't just competing with other chimney companies, but you are competing with all service companies for business. By spending a little extra time with your customer, listening to their concerns, and leaving them a little extra something, like a Chimney Sweep Doll, you will set yourself apart as a distinguished business.



Actual Size of Plastic Sweep Figurines is 1½".

<b>SMALL PLASTIC SWEEP DOLL</b>	<b>100 Pack</b> <b>\$37.00</b> <b>501151</b>
---------------------------------	--

**800.722.7230 | ONLINE ORDERING LINDEMANNCHIMNEYSUPPLY.COM**

Prices are subject to change. See our website for the most up to date pricing.

SALES & MARKETING SUPPORT



## ORDERING TERMS & CONDITIONS

### Free Shipping:

- We offer free shipping on orders over \$399.00 for qualified customers, available in the continental United States only. Shipping fees will apply for all orders that do not meet the \$399.00 minimum.
- Some products listed in our catalog or website may not qualify for free shipping. All shipping considerations are subject to change without notice.
- Shipping fees may apply to larger products. Freight accessorial fees may also apply, to include: Residential, Lift Gate, Overlength, Notification, and Special Shipping Instruction fees.
- Contact our customer solutions team for more information on our free shipping program.

### Special Orders & Ovalizing:

- Products that qualify as "special", "made to order", or "custom" are items that ship directly from the manufacturer, and are not readily available in our warehouses. Not all products listed in our catalog are readily available in our warehouses and will be considered "special order".
- We reserve the right to determine which products qualify as "special", "made to order", or "custom".
- Many "special", "made to order", or "custom" items such as chimney caps, large diameter pipe, special liners, cut liners, and more can be ordered. Contact our customer solutions team for more information and the most up to date pricing.
- We are happy to ovalize your liner to your specifications. Ovalized liner is not eligible for free shipping and not eligible for returns, for any reason. Ovalized liner can become easily damaged when shipping. Contact our customer solutions team for ovalizing options and alternatives.
- Please note that "special", "made to order", or "custom" items are not eligible for free shipping and not eligible for returns, for any reason. Returns will not be accepted, and a 25% restocking fee will be applied.

### Ordering & Shipping:

- We offer multiple ordering options for your convenience. You can call our toll free number 800-722-7230, e-mail our customer solutions team, or order online at [www.lindemannsupply.com](http://www.lindemannsupply.com). Contact our customer solutions team to setup your online customer account.
- All orders are treated with top priority, regardless of size. We have no minimum order size or weight requirements. All orders over \$399.00 will receive free shipping.
- Most orders are shipped out the same day if received before 3:00 p.m. Items will not be shipped or delivered on holidays or weekends.
- It is not uncommon for you to receive multiple products separately as items often ship from different warehouses.
- Freight Line shipments will require someone to be present to inspect and sign for the shipment. Additional fees may apply if a Freight Carrier delivers without signature.
- Expedited shipping options are available for an additional cost. Contact our customer solutions team for available options.
- Please note that we are unable to ship to PO Boxes or Military (APO/FPO) addresses. We must have a residential or commercial physical address in order to ship any item.

**800.722.7230 | ONLINE ORDERING LINDEMANNCHIMNEYSUPPLY.COM**

Technical Support Always Available. See Ordering Terms and Conditions for Details.



## ORDERING TERMS & CONDITIONS

### Pricing

- All prices are subject to change without notice. Refer to our website for the most up to date pricing.

### Payment Terms

- We accept all major credit cards.
- Open account billing available for long-standing, credit qualified customers only - please inquire with our customer solutions team. All other customers must pay with credit card, or cash at time of sale.
- Pay account balances by phone, or by logging into your customer account online. Please Contact our customer solutions team to setup your online customer account. All customers with payment terms must have a valid e-mail address and phone number on file.
- All overdue invoices are subject to finance charges. Failure to make payment within terms may result in any of the following actions: suspended terms, credit hold, loss of account status, orders withheld, collections, and discount removal.

### Returns

- If you need to return an item you may do so within 30 days of the product's delivery.
- The product must be in new, unused condition and in the original packaging.
- All returns will have shipping charges applied.
- All returns must be arranged with our customer solutions team prior to initiating the return process. Images of the product to be returned must be captured and provided. All returns will be assigned a Return Merchandise Authorization (RMA) number.
- The RMA number expires 30 days after the date the product was delivered to you.
- If you attempt to return an item without an RMA, or an item is returned in unacceptable condition, the item will be refused or shipped back to you at your expense. If we choose to accept the return, an additional 25% restocking fee will apply.
- If your product is received damaged, empty, or missing - please immediately contact our customer solutions team.
- Once we receive the return, inspect it, and determine it to be in acceptable condition, we will issue a credit towards the original form of payment.
- Please allow us 1-2 weeks after delivery of the returned item to inspect the return, and for our Accounting Department to process your refund.
- It is the customer's responsibility to return the product to the correct warehouse in new condition and in the original packaging. At our discretion, returns that are sent to the incorrect warehouse will be refused, shipped back at the customer's expense, or assessed a 25% restocking fee to cover administrative costs, shipping costs, and other additional fees.
- In the event that the product is received in a condition which we deem unacceptable, we reserve the right to deny your return. Upon receipt of said item, we will notify you that the item was received damaged or used, and fees may apply.
- Damaged or used items will be retained in our warehouse for a maximum of 30 business days unless otherwise requested by the customer in writing, prior to disposal/return. After 30 business days the item will be disposed of.
- Refused shipments, without cause, will result in additional charges including: increased shipping fees, and a 25% restocking fee.

**800.722.7230 | ONLINE ORDERING LINDEMANNCHIMNEYSUPPLY.COM**

Technical Support Always Available. See Ordering Terms and Conditions for Details.

# PRODUCT INDEX

- A**  
Access & Cleanout Doors – 184  
Access Plates & Cables – 86  
Access Plates & RS Adapters – 86  
ACS Creosote Removal – 152 – 153  
Adjustable Fireplace Valance Kit – 203  
Ahrens Crown Repair – 171  
Air Vents – 182  
Ash Dump Doors – 184
- B**  
Barometric Dampers – 88  
Body Protection – 158  
Bottom Plates – 9  
Branded Supplies – 211 – 212  
Brick Laying Tools – 164  
Brush & Rod Adapters – 151  
Brushes  
    ButtonLok Brushes – 130 – 131  
    Duct Cleaning Brushes – 131, 143  
    Econospin Pellet/Dryer Vent Cleaning Brushes – 144  
    Hand Brushes – 146 – 147  
    Mini Viper Star and Threaded Brushes – 124  
    Standard Threaded Brushes – 139  
    Threaded Wood Core Brushes – 139  
    Viper Brushes, Non-Threaded – 123 – 124  
    Viper Brushes, Threaded – 123  
    Wöhler Brush Kits – 125  
ButtonLok  
    Adapters & Accessories – 148 – 150  
    Brushes – 130 – 131  
    Cleaning Tools – 132 – 134  
    Rods – 129  
    Rotary Cleaning – 132 – 133  
    Tile Breakers – 168  
    Video Inspection System – 116
- C**  
Caps  
    Custom Order Caps – 92  
    DirectVent Pro Termination Caps – 54  
    DuraTech Termination Caps – 44  
    HY-C Animal Screens & Vent Guards – 110  
    HY-C BigTop Multi-Flue, Galvanized Caps – 109  
    Jeremias Termination Caps – 35  
    Multi-Packs – 95  
    Premier Damper Cap – 87  
    Caps (cont.)  
        Premier Top Mount Multi-Flue Caps – 107– 108  
        ShelterPro Chimney Caps – 94  
        SmartStack Multi-Pack, Single-Flue Caps – 95  
        Universal Chimney Cap – 89  
Cement & Mortar – 174 – 176  
Chamber Ease, Smoke Shelf Scraper – 147  
Chamber Repair – 178  
Chamber Safe – 177  
Chimney Fire Suppressor – 206  
ChimneySaver Water Repellent – 180  
Chimney Surrounds – 46  
Clay Chimney Pot Toppers – 90 – 91  
Cleanout Doors – 184  
Combustion Air Vents – 182  
Cre-Away Creosote Removal – 153  
Crimping Tools – 166  
Crown Forms – 171  
Crown Safe – 172  
CrownCoat – 173  
CrownPrep – 173  
CrownSaver – 174  
CrownSeal – 173  
Cutting & Hand Tools – 165
- D**  
Dampers  
    Barometric Dampers – 88  
    Drop-In Damper – 87  
    Energy Top Damper – 83  
    Energy Top Plus Damper – 84  
    Fireplace Dampers – RS & RSHT – 113  
    Fireplace Throat Dampers – 88  
    Premier Damper Cap – 87  
    Seal Tight Damper – 85  
    Spin Dampers – 88  
    The Top Damper – 81  
    The Top Damper Plus – 82  
    Top Sealing Dampers – 80  
    Universal Damper Kits – 89  
Decorative Chimney Surrounds – 46  
Deodorant, Stove – 209  
DirectVent Co-Linear Kit & Flex – 55  
DirectVent Pro  
    Cathedral Ceiling Support Box – 52  
    Ceiling Firestop – 53  
    Elbows & Elbow Straps – 52  
    Pipe – 51  
    Roof Flashings – 53  
    Standard Co-Axial to Co-Linear Adapter – 52  
    Storm Collars – 53  
    Termination Caps – 54  
DirectVent Pro (cont.)

# PRODUCT INDEX

Vinyl Siding Standoff – 54  
Wall Thimbles – 55  
Drill Bits, Drivers & Screws – 164  
Drop Cloths – 125  
Drop-In Damper – 87  
Dry Creosote Removal – 152  
Dryer Ducting – 77 – 78  
DryerFlex – 77  
Dryer Vent Cleaning Tools – 142, 144 – 145  
Duct Cleaning Brushes – 131, 143  
DuraBlack  
    Chimney Adapters & Trim – 65  
    Components – 67  
    Stovepipe – 66  
    Stovepipe Adjustable Elbows – 67  
    Stovepipe Components – 66  
    Stovepipe Increasers – 68  
    Stovepipe Tees – 68  
DuraTech  
    Adjustable Roof Supports – 40  
    Anchor Plates – 38  
    Cathedral Support Boxes – 40  
    Ceiling & Roof Supports – 39  
    Chimney Pipes – 36 – 38  
    Collars – 39  
    Extended Roof Brackets – 42  
    Finishing Collar & Adapter – 39  
    Flashings & Storm Collars – 42  
    Locking Bands – 45  
    Offset Elbow Kits – 41  
    Shields – 43  
    Snow Splitter – 42  
    Spark Arrestors – 44  
    Tee & Tee Caps – 43  
    Tee Support Brackets – 44  
    Termination Caps – 44  
    Trim Collar for Round Support Box – 39  
    Trim Collars for Roof Supports – 40  
    Wall Thimbles & Wall Straps – 45  
DuraVent Type B Gas Vent Pipe – 47 – 50  
DVL  
    Adapters – 64  
    Adjustable Elbows – 64  
    Double-Wall Stovepipes – 63  
    Increasers – 64  
    Stove Adapters – 63  
    Tee & Cleanout Cap – 65

## E

Econospin Pellet/Dryer Vent Cleaning Brushes & Rods – 144  
Elbows  
    DirectVent Pro Elbows & Elbow Straps – 52  
    DuraBlack Stovepipe Adjustable Elbows – 67  
    DuraTech Offset Elbow Kits – 41  
    DVL Adjustable Elbows – 64  
    Jeremias Elbows – 31  
    PelletVent Pro Elbows – 59  
    SmartFlex Elbows – 11  
    Snap-Lock Adjustable Elbow – 71  
    Type B Gas Vent Elbows – 48  
    Ventinox/DuraFlex Elbows – 26  
Energy Top Damper – 83  
Energy Top Plus Damper – 84  
Energex Fan Systems – 111 – 113  
Expanded Metal Screening – 98

## F

Fall Protection – 158  
Fan Systems, Controls for RS & RSHT – 113  
Fiberglass Rod – 138  
Firebacks – 204  
Fireplace Products  
    Cleaning Tools – 205  
    Dampers for RS & RSHT – 113  
    Mortar – 174 – 175  
    Screens – 203  
    Throat Dampers – 88  
    Valance Kit – 203  
Firestarters – 209  
Flash-Corder Recording Flashlight – 115  
Flashlights – 119 – 120  
FlashSeal Flashing & Roof Repair – 182  
Forklifts – 163

## G

Gas Line Pipe - Gastite – 76 – 77  
Gas Logs, Peterson – 196  
Gas Log Systems – 197 – 199  
Gasket Cement – 183  
Gasket Repair – 208  
Generic & Branded Supplies – 212  
Glass Doors – 201  
Grates – 200

# PRODUCT INDEX

## H

Hand Brushes – 146 – 147  
Hand Tools – 165  
Head Protection – 157  
Hearth Country Ash Vacuum – 128  
Hearth Extensions & Spacers – 205  
HeatFab Saf-T Pipe – 69  
HY-C  
    Animal Screens – 110  
    BigTop Multi-Flue Caps – 109  
    Custom Caps – 94  
    Leg Kits – 98  
    Raccoon Screens – 110  
    Roof VentGuards – 110

## I

ICP Caps  
    Masonry Adapters – 106  
    StormShield STS – 103  
    StormShield Tallboy – 106  
    StormShield TDW – 103  
    Vacu-Stack Accessories – 104  
    Vacu-Stack Tallboy – 105  
    Vacu-Stack TDW – 102  
    Vacu-Stack VSS – 102  
    WeatherShield Mark B – 104  
    WeatherShield Tallboy – 105  
    WeatherShield TDW – 101  
    WeatherShield WSA – 101  
Insert Boots  
    Adjustable Oval Insert Boots – 25  
    Round Insert Boots – 25  
    SmartFlex Insert Boots – 12  
Inspection Lighting – 120  
Inspection Mirrors – 119  
Insulation Accessories – 74

## J

Jeremias Chimney Pipe  
    Anchor Plates – 31  
    Caps & Screens – 35  
    Ceiling Supports – 32  
    Elbow Kits – 31  
    Flashing – 34  
    Pipes – 30  
    Roof Brackets – 34  
    Shields – 33  
    Storm Collars – 34  
    Tees & Tee Supports – 31  
    Wall Brackets – 33  
    Wall Thimbles – 32

## L

Ladders & Accessories – 160 – 161  
  
Liner  
    SmartFlex Aluminum Liner – 22  
    SmartFlex Aluminum Liner Kits – 22  
    SmartFlex Liner Kits – 6 – 7  
    SmartFlex Liner – 4  
    SmartFlex Smoothwall Liner – 4  
    SmartFlex Smoothwall Liner Kits – 7  
    Ventinox VFT Liner – 24  
Liner Insulation Accessories – 74 – 75  
Liner Sizing Charts – 2 – 3  
Lint Alert Pro Plus – 78

## M

Masonry Demolition Tools – 168 – 169  
Masonry Finishing Tools – 164  
Mini Viper Star & Threaded Brushes – 124

## N

Nose Cones – 12

## O

Odor Control – 209

## P

Paint "N" Peel – 154  
PCR Creosote Removal – 152  
Pellet/Dryer Vent Cleaning – 146  
PelletVent Pro  
    Adapters & Increasers – 57  
    Caps – 60  
    Ceiling & Roof Supports – 58  
    Ceiling Support/Wall Thimble Cover & Reduction  
Collar – 58  
    Elbows – 59  
    Flashings & Storm Collars – 59  
    Pipes – 56  
    Shields – 60  
    Tees & Tee Caps – 61  
    Wall Thimble & Wall Strap – 62  
Peterson Gas Log Systems – 196  
Pipes  
    DirectVent Pro Pipe – 51  
    DuraBlack Stovepipe – 66  
    DuraTech Chimney Pipes – 36 – 38  
    DVL Double-Wall Stovepipes – 63  
    Gas Line Pipe – Gastite – 77  
    HeatFab Saf-T Pipe – 69  
    Jeremias Chimney Pipes – 30 – 36  
    PelletVent Pro Pipes – 56  
    SmartFlex Rigid Pipe – 7  
    Type B Gas Vent Pipe – 47 – 50  
    Snap-Lock Stovepipe – 70

**800.722.7230 | ONLINE ORDERING LINDEMANNCHIMNEYSUPPLY.COM**

Prices are subject to change. See our website for the most up to date pricing.

# PRODUCT INDEX

Pitch & Slope Locator – 160  
PiViT Ladder Accessories – 162  
Premier Damper Cap – 87  
Premier Top Mount Multi-Flue Caps – 107 – 108  
ProFlex Wizard – 140  
ProKleen Tile Breakers – 169  
Promotional Items – 211 – 212  
PWR Waterproofing – 179

## R

Rain Caps  
    SmartFlex – 13  
    Ventinox/DuraFlex – 27  
R-CO Chimney Surrounds & Trim Kits – 46  
Refractory Panels – 186 – 190  
RIDGEPRO™ – 160  
Rod Adapters – 151  
Rod Caddies – 148  
Rods  
    ButtonLok Rods – 129  
    Caddies – 148  
    Econospin Pellet/Dryer Vent Cleaning Rods – 144  
    Fiberglass Rod – 138  
    Steel Rods – 138  
    Universal Thread Rods – 138  
Roof Patch – 181  
Round Insert Boots – 25  
RoVac Vacuums – 129 – 130  
RS & RSHT Chimney Fan System – 112 – 113

## S

Sandkuhl Clay Works, Clay Pots – 90 – 91  
Safety Gear  
    Body & Fall Protection – 158  
    Gloves – 159  
    Head Protection – 157  
    Ladder Accessories, Equipment – 160 – 162  
    Respirators – 157  
    Scaffolding – 163  
Sales Material – 211-212  
Screens  
    Custom Screens – 203  
    Fireplace Screens – 203  
    HY-C Animal Screens – 110  
    HY-C Raccoon Screens – 110  
    Jeremias Screens – 35  
Seal Tight Damper – 85  
ShelterPro Chimney Caps – 94  
Silicone Sealant – 183  
Skamol Panels – 186 – 187  
SKAMOTEC – 189

SmartFlex  
    Aluminum Liner – 22  
    Aluminum Liner Kits – 22  
    Appliance Adapters – 8  
    Bottom Plates – 9  
    Co-Linear Caps – 21  
    Co-Linear Kits – 20  
    Elbows – 11  
    End Caps – 17  
    Extended Tee Snouts – 17  
    Insert Adapters – 8  
    Insert Boots – 12  
    Liner – 4  
    Liner Kits – 6  
    Mortar Collars – 9  
    Nose Cones – 12  
    Rain Caps – 13  
    Reducer-Increasers – 15  
    Rigid Pipe – 7  
    Round Couplers - Female/Male – 10  
    Round Couplers - Male/Male – 11  
    Slip Connectors – 10  
    Smoothwall Liner – 4  
    Smoothwall Standard Liner Kits – 7  
    Steel Stove Adapters – 8  
    Storm Collars – 15  
    Swivel Tees – 16  
    Top Clamps – 13  
    Top Plates – 14  
    Universal Take-Offs – 12  
SmartScan – 115  
SmartStack Multi-Pack, Single Flue Caps – 95  
Smoke Guards – 203  
Snap-Lock  
    Adapters – 66, 70  
    Adapters & Connectors – 71  
    Adjustable Elbow – 71  
    Increaser/Reducer – 71  
    Stovepipe – 70  
    Tees – 72  
    Vent Saddles – 72  
    WYEs – 72

# PRODUCT INDEX

Sorbent Pads – 179  
Spin Dampers – 88  
Stage One, (TSR) Creosote Removal – 154  
Stair Climbing Forklifts – 163  
Standard Threaded Brushes – 139  
Steel Rods – 138  
StormShield  
    STS – 103  
    Tallboy – 106  
    TDW – 103  
Stove Boards – 204  
Stove Paint – 207  
Sweep Dolls – 212

## T

Tape – 75, 166  
Tees  
    DuraBlack Stovepipe Tees – 68  
    DuraTech Tee & Tee Caps – 43  
    DuraTech Tee Support Brackets – 44  
    DVL Tee & Clean-Out Cap – 65  
    Jeremias Tees – 31  
    PelletVent Pro Tees & Tee Caps – 61  
    SmartFlex Extended Tee Snouts – 17  
    SmartFlex Swivel Tees – 16  
    Snap-Lock Tees – 72  
    Type B Gas Vent Tee & Tee Cover – 50  
    Ventinox/DuraFlex Long Tee Snouts – 29  
    Ventinox/DuraFlex Tee Caps – 28  
    Ventinox/DuraFlex Tees – 28  
TherMix – 73  
Thermometers – 206  
Threaded Wood Core Brushes – 139  
Tile Breakers – 167 – 168  
Tile Extractor – 168  
Top Damper – 81  
Top Damper Plus – 82  
Top Plates – 14, 29  
Top Sealing Dampers – 80  
Type B Gas Vent  
    Caps – 49  
    Draft Hood Connectors – 48  
    Elbows – 48  
    Firestop Spacer & Square Support – 50  
    Roof Flashings & Storm Collars – 49

Type B Gas Vent (cont.)  
    Tee & Tee Cover – 50  
    Trim Collars – 48  
    Universal Adapter – 48  
    Wall Thimble & Straps – 50

## U

Universal Chimney Cap – 89  
Universal Damper Kits – 89  
Universal Thread Cleaning Tools – 141  
Universal Thread Rods – 138  
U.S. Fireplace Dampers  
    The Top Damper – 81 – 82  
    Energy Top – 83 – 84  
    Seal Tight – 85 – 86

## V

Vacuum  
    Hearth Country Ash Vacuum – 128  
    RoVac 1-Motor Vacuum – 127  
    RoVac 3-Motor Vacuum – 126  
Vacu-Stack  
    Accessories – 104  
    Tallboy – 105  
    TDW – 102  
    VSS – 102  
Ventinox/Duraflex  
    Adjustable Oval Insert Boots – 25  
    Couplers – 26  
    Elbows – 26  
    Installation Cones – 29  
    Long Tee Snouts – 29  
    Offset Adapter – 25  
    Ovalizing Chart – 23  
    Rain Caps – 27  
    Round Insert Boots – 25  
    Sleeves – 26  
    Storm Collars – 27  
    Tee Caps – 28  
    Tees – 28  
    Top Cover Plates – 29  
    Universal Take-Offs – 27  
VFT Liner – 24  
VenTubes – 178  
Video Inspection  
    ButtonLok Video Inspection System – 116  
    Flash-Corder Recording Flashlight – 115  
    SmartScan – 115  
    Wöhler Video Inspection Systems – 116 – 118  
Viper  
    Cleaning Systems – 121 – 123  
    Non-Threaded – 123 – 124  
    Threaded – 123

# PRODUCT INDEX

## W

### Wall Thimbles

- DirectVent Pro Wall Thimbles – 55
- DuraTech Wall Thimbles & Wall Straps – 45
- Jeremias Wall Brackets & Wall Thimbles – 32 – 33
- PelletVent Pro Ceiling Support/Wall Thimble Cover – 58
- PelletVent Pro Wall Thimble & Wall Strap – 62
- Type B Gas Vent Wall Thimble & Straps – 50

### Weathershield

- Mark B – 104
- Tallboy – 105
- TDW – 101
- WSA – 101

### Wöhler

- Brush Kits – 125
- Video Inspection Systems – 116 – 118

### Wood Stoves

- 2016EB Wood Stove Inserts – 195
- Ashley AW182OE Wood Stove Inserts – 193
- Wood Stoves & Inserts – 192 – 195



**OUR HISTORY OF LINDEMANN CHIMNEY**

**1969**

Gary Lindemann started Lindemann Chimney Co. as a part-time venture while working as a firefighter in suburban Winnetka, Illinois.

Lindemann Chimney Company began like many great

**SERVICE BUSINESS IS GROWING**

Adding trusted family members helped grow the company from a one-man operation to multiple trucks.

**1990's**

U.S. FIREPLACE PRODUCTS

Lindemann Chimney Supply U.S. Fireplace Products were located and facilities opened in Atlanta, Georgia, and Albany, New York.

Lindemann Chimney has established itself as a premium family of brands and services that support residential and commercial customers in Illinois and Wisconsin. Its industrial supply businesses service customers across the country.

**TODAY**

As the recognized leader in the industry, Lindemann Chimney is dedicated to giving back to the industry it calls home.

Tackling the big jobs was an early hallmark of Lindemann Chimney, and investing in training and technical expertise was a key ingredient to our success in the early years.

**LINDEMANN CHIMNEY 1980'S**

**2000's**

The new millennium saw explosive growth in the service division as the size of operations reached the largest of its kind in the country.

**NEW MILLENNIUM**

Lindemann Chimney began sharing its strategies and tactics for growth with chimney companies nationwide as it anchored its position as an industry leader.

800.722.7230 | ONLINE ORDERING [LINDEMANNCHIMNEYSUPPLY.COM](http://LINDEMANNCHIMNEYSUPPLY.COM)

Technical Support Always Available. See Ordering Terms and Conditions for Details.



# CUSTOM MADE

CHIMNEY CAPS • CHASE TOPS • MULTI-FLUE CAPS

# & MORE

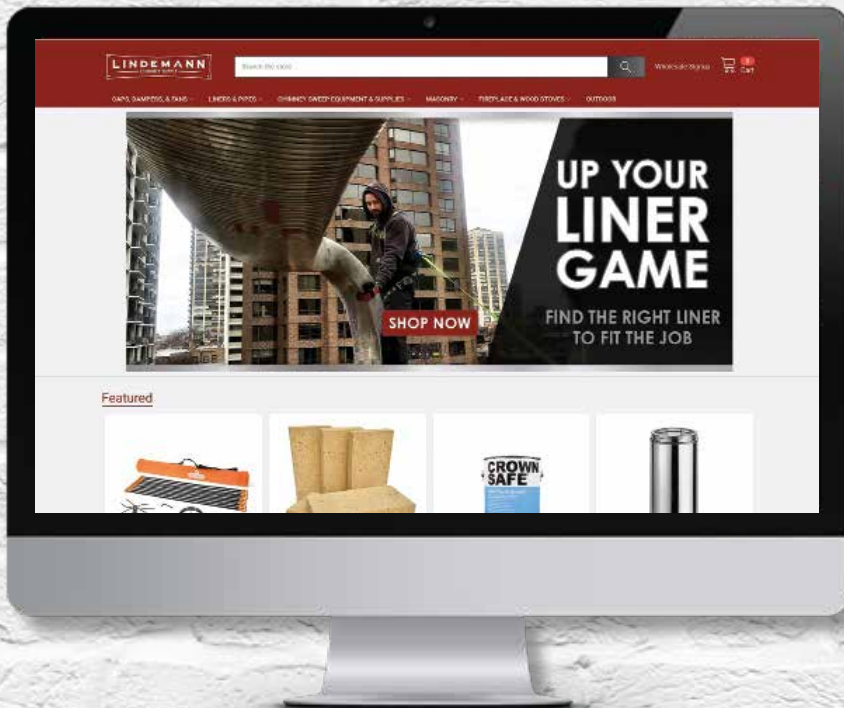
CALL 800.722.7230

FOR YOUR ESTIMATE

SERVICE • CRAFTSMANSHIP • SUPPORT



# FEEDING YOUR FIRE, FUELING YOUR GROWTH



# 10% OFF

## YOUR FIRST ONLINE ORDER

PROMO CODE: **FIRST10**

800.722.7230 [WWW.LINDEMANNSUPPLY.COM](http://WWW.LINDEMANNSUPPLY.COM)