

# CBO-1000 DIY Kit Specifications



UPC 705604321246 | SKU CBO-O-KIT-1000

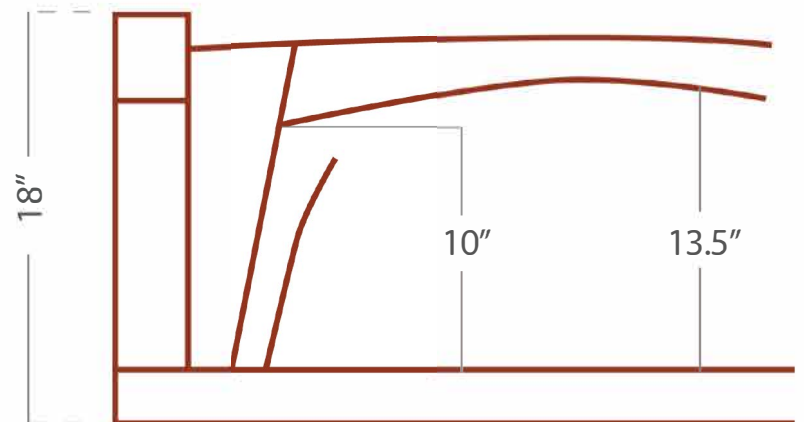
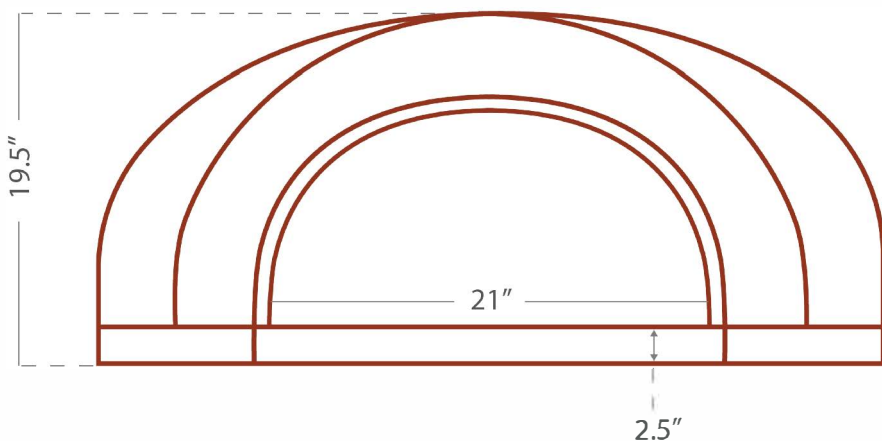
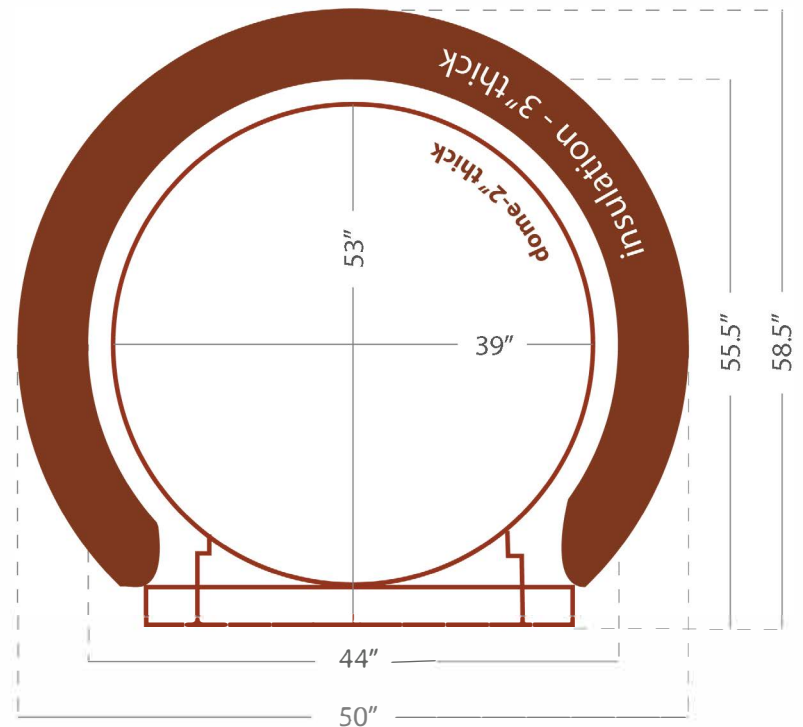
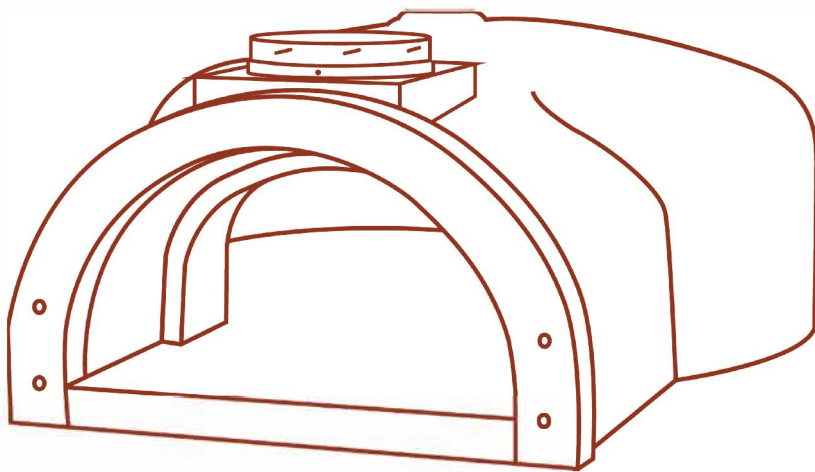
## Details

- 7-Piece Oven (2-piece Dome, 3-piece Hearth, Arch, Removable Insulating Door)
- Install Kit (Anchor Plate, Insulating Board & Blanket, 14-Gauge Galvannealed Steel Plate, Mortar)
- Accessory Package (Brush, Infrared Thermometer Gun)
- Hearth Cooking Surface 53"x 39"

- Support weight minimum: 920 lbs
- Piece weight:
  - 2 Piece Dome ..... 562 lbs
  - 3 piece Hearth ..... 50 lbs
  - Arch ..... 40 lbs

### Bolt Dimensions:

- 4 Steel plate bolts (ss 1/4-20 x 1/2") 4
- Anchor plate bolts (ss 1/4-20 x 1/2") 4
- Arch bolts (ss 5/16-18 x 2 1/2")



**CHICAGO BRICK OVEN**